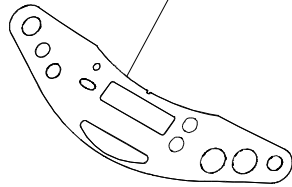
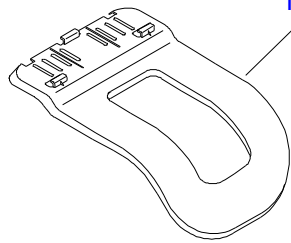


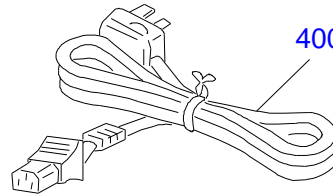
106 except for EURO CONTI.model

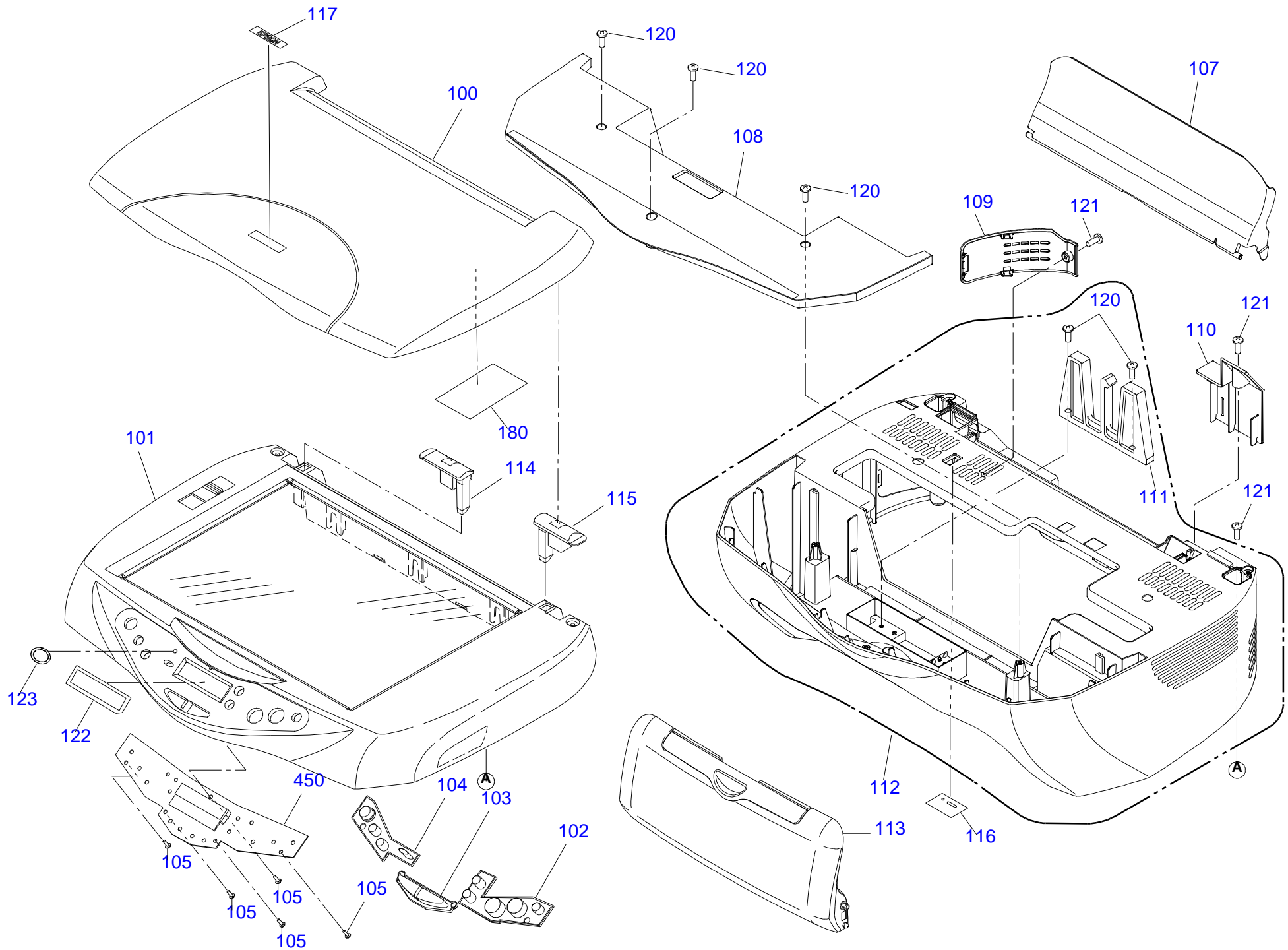


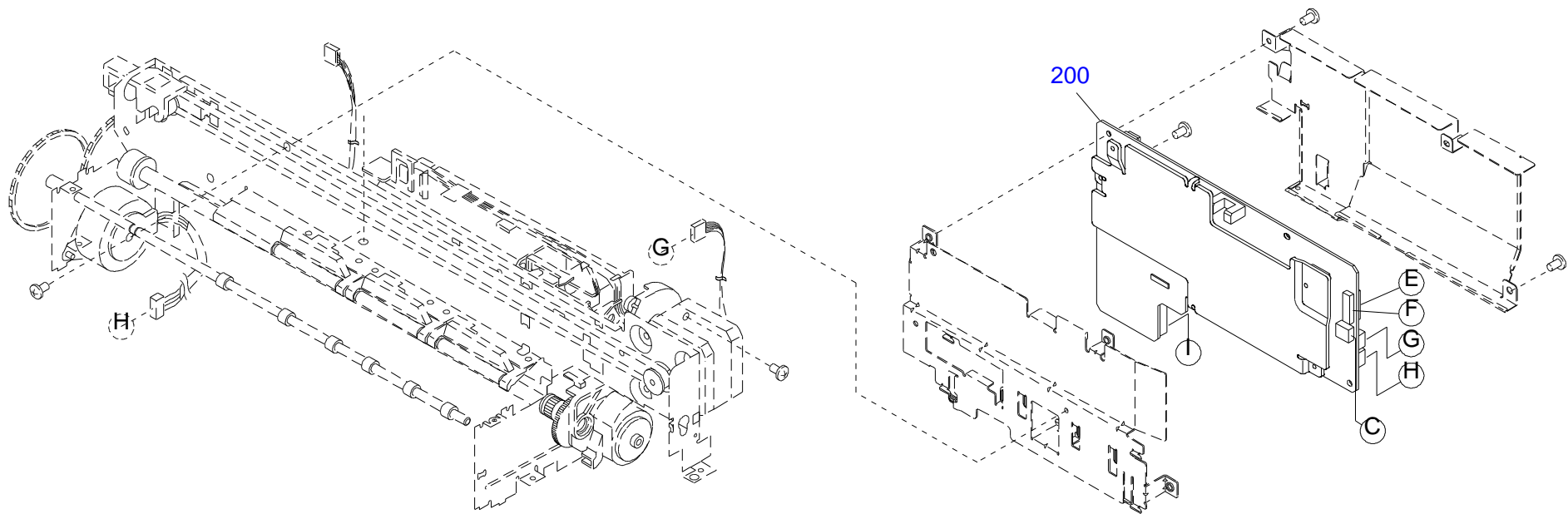
118

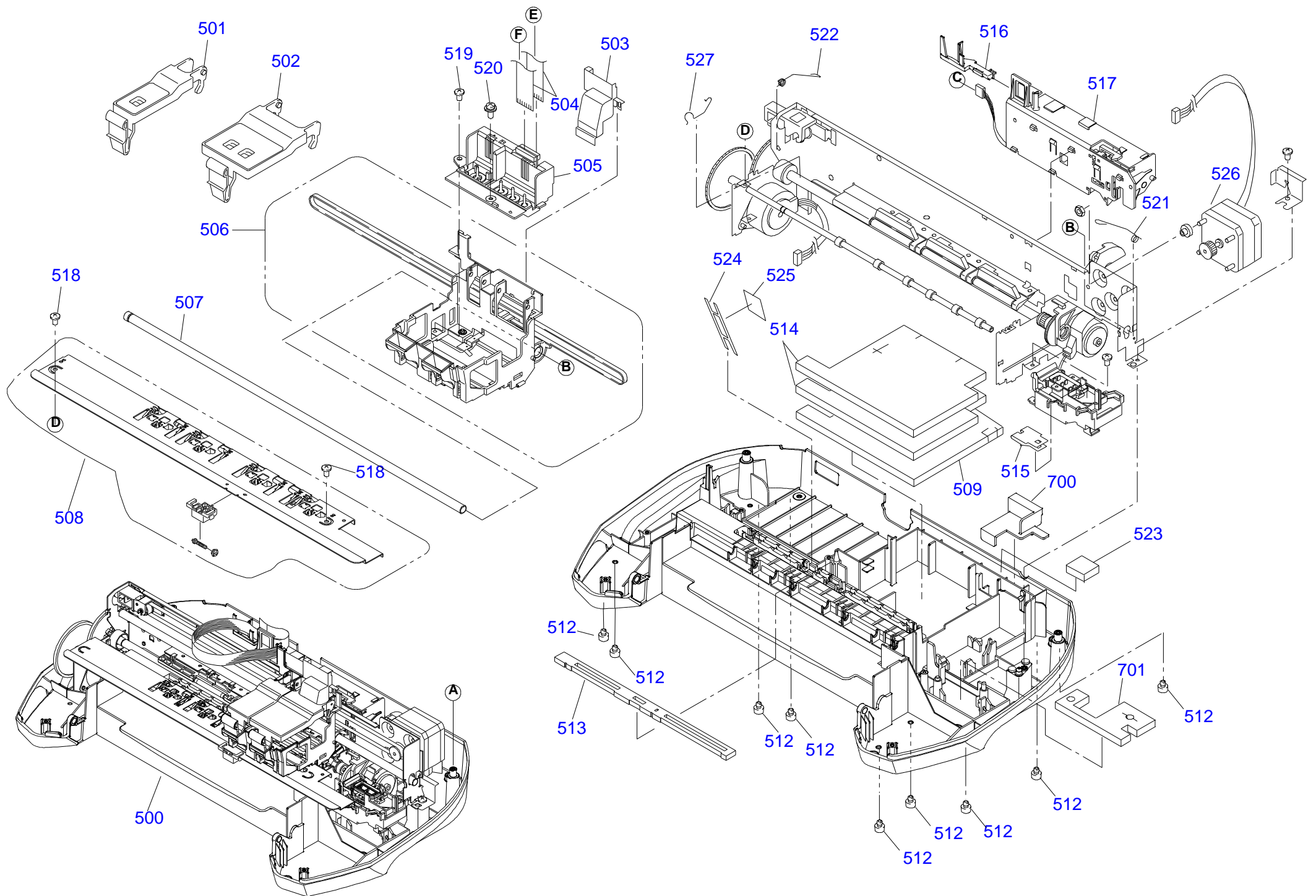


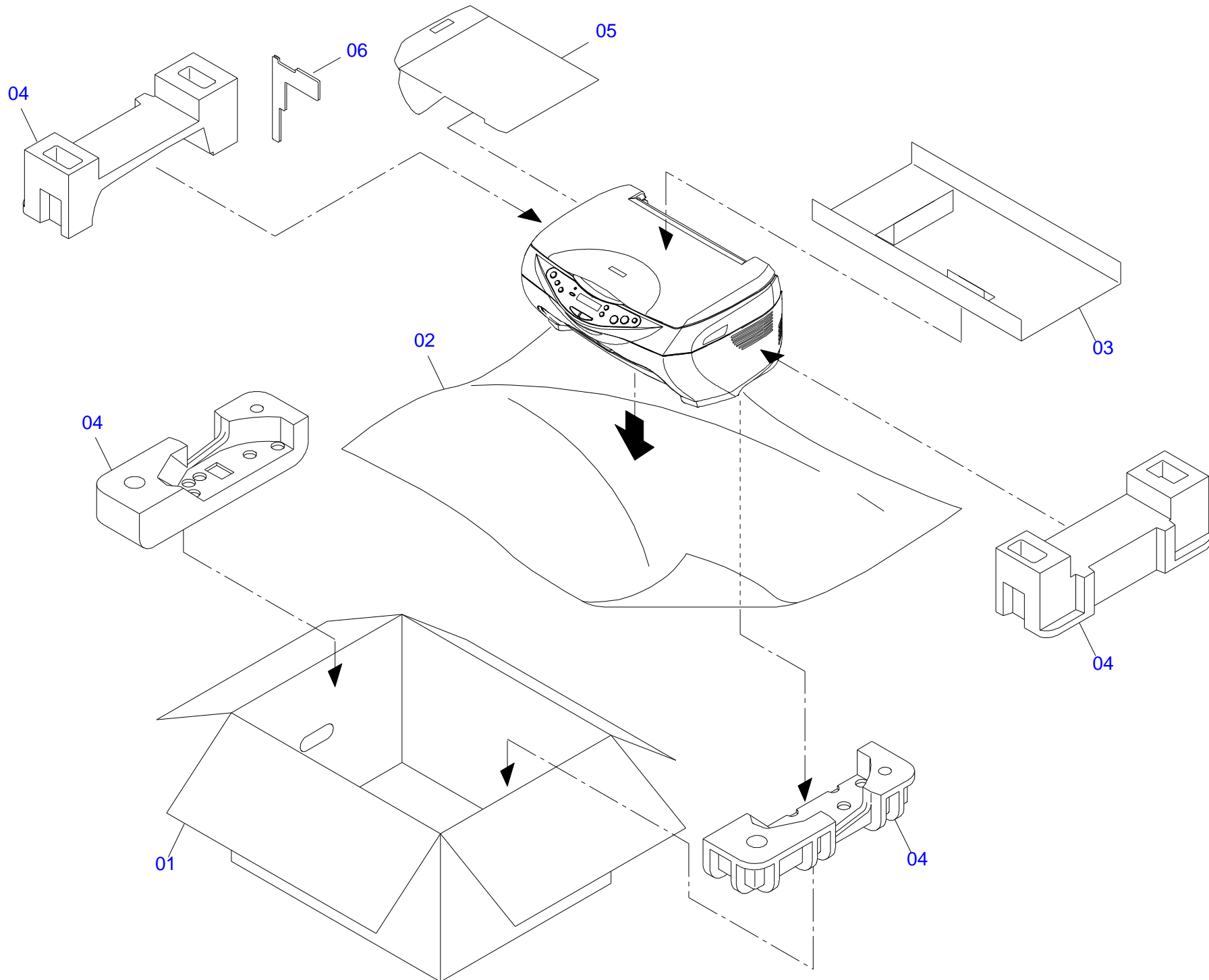
400 For 220V,240V

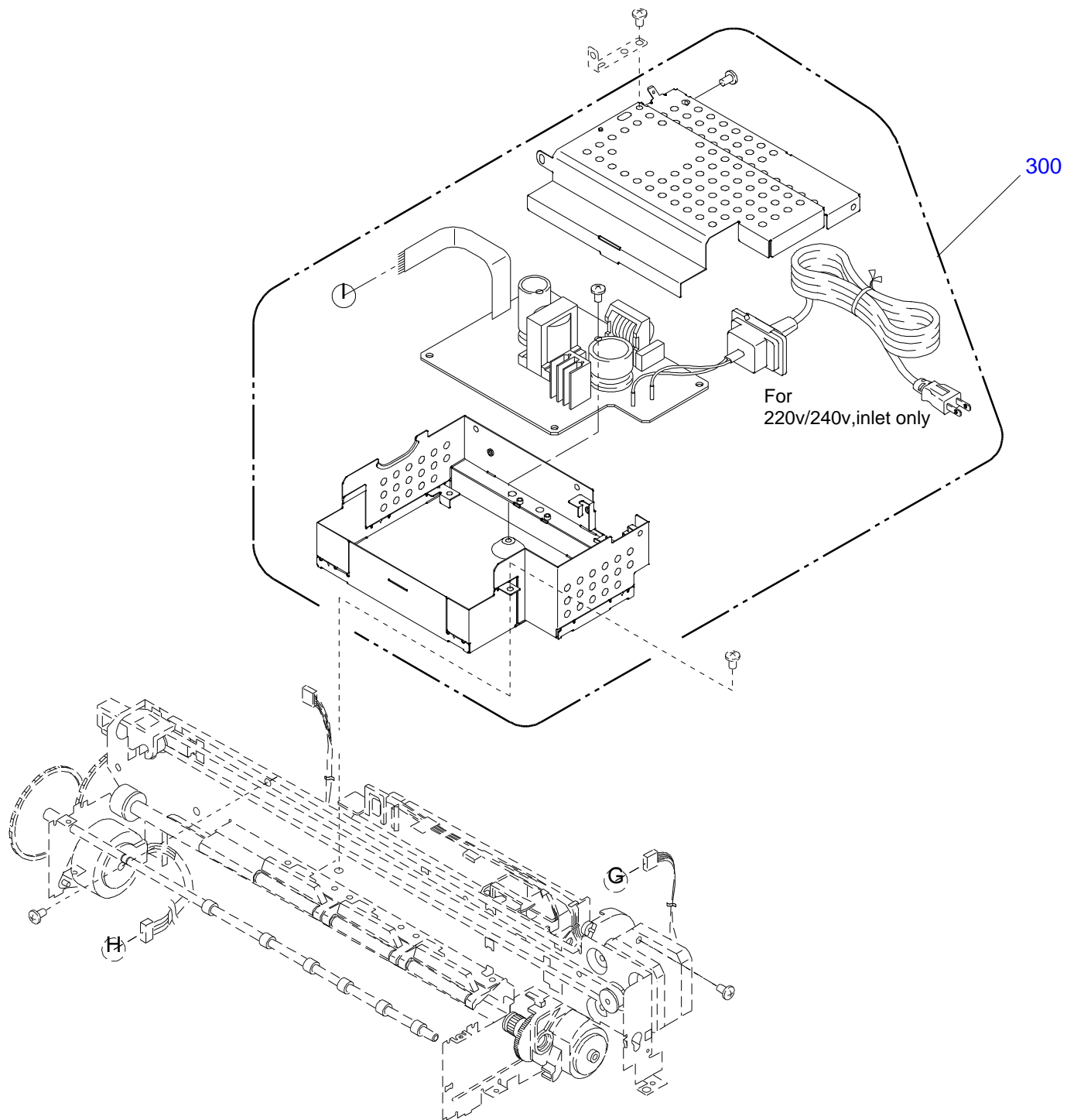












Part Code	Part Name	Ref No.	Category	Qty
1211889	PAPER SUPPORT;ECG	118	Accessories	1
2002364	POWER CABLE,(VD31303SA-10A)	400	Accessories	1
1218269	I/C WITHOUT INDIVIDUAL BOX,B,OVERSEAS,AS,4CB21B	NON FIG	Accessories	1
1218271	I/C WITHOUT INDIVIDUAL BOX,C,OVERSEAS,AS,4CB21C	NON FIG	Accessories	1
2069716	HARNESS,USB 2.0	NON FIG	Accessories	1
4033219	USER'S GUIDE	NON FIG	Accessories	1
4033391	SETTING UP MANUAL	NON FIG	Accessories	1
4033392	SETTING UP MANUAL	NON FIG	Accessories	1
4033393	SETTING UP MANUAL	NON FIG	Accessories	1
4033394	SETTING UP MANUAL	NON FIG	Accessories	1
1215634	BOOK COVER ASSY., 6616;EUW	100	Case	1
1215656	UPPER CASE ASSY.,6616;EUW	101	Case	1
1215670	PANEL BUTTOM,R(RUBBER)6616	102	Case	1
1215668	PANEL BUTTOM,M(RUBBER)6616	103	Case	1
1215667	PANEL BUTTOM,L(RUBBER)6616	104	Case	1
1230264	SCRW TAP CAP M3X6L C,ZN	105	Case	5
1154295	COVER,ENTRANCE	107	Case	1
1211870	COVER,NIDDLE;ECG	108	Case	1
1211873	COVER,FFC;ECG	109	Case	1
1211879	COVER,INK TUBE;ECG	110	Case	1
1113226	LOCK,SCANNER	111	Case	1
1230141	HOUSING,MIDDLE,ASSY.;D	112	Case	1
1213021	STACKER ASSY.;B	113	Case	1
1215679	HINGE DOCUMENT,L,6616;EUW	114	Case	1
1215680	HINGE DOCUMENT,R,6616;EUW	115	Case	1
1214741	SHEET,HOUSING	116	Case	1
1153811	LOGO PLATE,10X40;G	117	Case	1
1012350	C.B.P-TITE,3X10,F/ZN	120	Case	5
1043330	C.B.P-TITE,3X10,F/NI	121	Case	3
1217562	SHEET,LCD	122	Case	1
1217561	SHEET,LED	123	Case	1
1220032	LABEL,HEAD CLEANING	180	Case	1
2077895	PANEL BOARD,6616	450	Case	1
2083320	BOARD ASSY.,MAIN	200	Electronic Parts	1
2068821	FUSE	F2	Electronic Parts	1
2049658	OTP-ROM(BLANK)	IC5	Electronic Parts	1
2080654	PRINTER MECHANISM(ASP)	500	Mechanism Parts	1
1213027	COVER CARTRIDGE BK;B ASSY.	501	Mechanism Parts	1
F094000	PRINT HEAD	501	Mechanism Parts	1
1213028	COVER CARTRIDGE CL;C ASSY.	502	Mechanism Parts	1
1078972	HOLDER,CABLE HEAD;B	503	Mechanism Parts	1
2077158	CABLE,HEAD	504	Mechanism Parts	1
1235502	CARRIAGE ASSY.,C497;B	506	Mechanism Parts	1
1084661	SHAFT,CR,GUIDE;B	507	Mechanism Parts	1
1083456	FRAME,FRONT ASSY.,C418	508	Mechanism Parts	1
1217222	POROUS PAD ONK EJECT;B	509	Mechanism Parts	1
1217222	POROUS PAD ONK EJECT;B	509	Mechanism Parts	1
1080427	FOOT	512	Mechanism Parts	9
1154735	POROUS PAD,PAPER GUIDE,FRONT	513	Mechanism Parts	1
1154736	POROUS PAD,INK,EJECT	514	Mechanism Parts	2

1084729	POROUS PAD,SLIDER,CAP	515	Mechanism Parts	1
1154734	SPACER,FFC	516	Mechanism Parts	1
1215633	HOLDER SHAFT ASSY.;B	517	Mechanism Parts	1
1073165	C.B.S. SCREW(B300204211)	518	Mechanism Parts	2
1012350	C.B.P-TITE,3X10,F/ZN	519	Mechanism Parts	1
1023043	+ BIND B-TITE SEMS W2,2.5X5,F/ZB	520	Mechanism Parts	1
1082529	TORSION SPRING RIGHT,SHAFT,CR GUIDE	521	Mechanism Parts	1
1154740	TORSION SPRING,162.6	522	Mechanism Parts	1
1154278	POROUS PAD,TUBE,STOPPER;D	523	Mechanism Parts	1
1219353	POROUS PAD,INK,LEAD	524	Mechanism Parts	1
1249648	COVER,POROUS PAD,INK,LEAD	525	Mechanism Parts	1
2071456	MOTOR ASSY.,CR	526	Mechanism Parts	1
1236553	EARTH SPRING,PF	527	Mechanism Parts	1
1236553	EARTH SPRING,PF	527	Mechanism Parts	1
1156273	HOLDER,POROUS PAD	700	Mechanism Parts	1
1063417	POROUS PAD,CAP,LOWER	701	Mechanism Parts	1
1213031	ASF UNIT;B	702	Mechanism Parts	1
1062972	COMPRESSION SPRING,2.50	703	Mechanism Parts	1
1032300	C.B.S-TITE(P4),3X6,F/ZN	704	Mechanism Parts	1
1073165	C.B.S. SCREW(B300204211)	705	Mechanism Parts	5
1232126	SHEET,PROTECTION,EDGE	706	Mechanism Parts	1
1005019	C.B.P-TITE SCREW,3X8,F/ZN	707	Mechanism Parts	1
1218989	SPACER,FFC,SCANNER	708	Mechanism Parts	1
1214740	SHEET,M/B	709	Mechanism Parts	1
2083606	SCANNER UNIT 6616;EUW	800	Mechanism Parts	1
1258826	CCD MODULE 6616	801	Mechanism Parts	1
1215658	LOW CASE ASSY.,6616;EUW	803	Mechanism Parts	1
1213032	HINGE ASSY.;B	804	Mechanism Parts	2
1215678	CABLE COVER,PET	805	Mechanism Parts	1
1215628	MOTOR SET ASSY.,6616	806	Mechanism Parts	1
1230268	SCRW TAP CAP M3X8L C,ZN	807	Mechanism Parts	7
5011655	PLASTIC SHEET,1300X1300X0.04T	2	Packing Material	1
5032461	PAD,ACCESSORY;B	3	Packing Material	1
1220031	SHEET,CR LOCK	5	Packing Material	1
5024893	PAD,CR	6	Packing Material	1
5024657	PLASTIC PROTECTIVE BAG 120X400X0.02T	7	Packing Material	1
1213025	POWER SUPPLY ASSY.;C	300	Power Supply	1
6022796	Shipping Liquid,S46,18kg	NON FIG	Tools	1
6022804	Shipping Liquid,S46,1kg	NON FIG	Tools	1

Part Code	Part Name	Ref No.	Category	Qty
-----------	-----------	---------	----------	-----