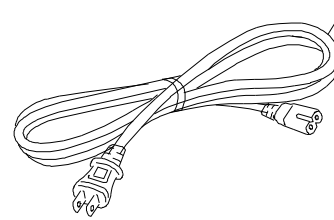
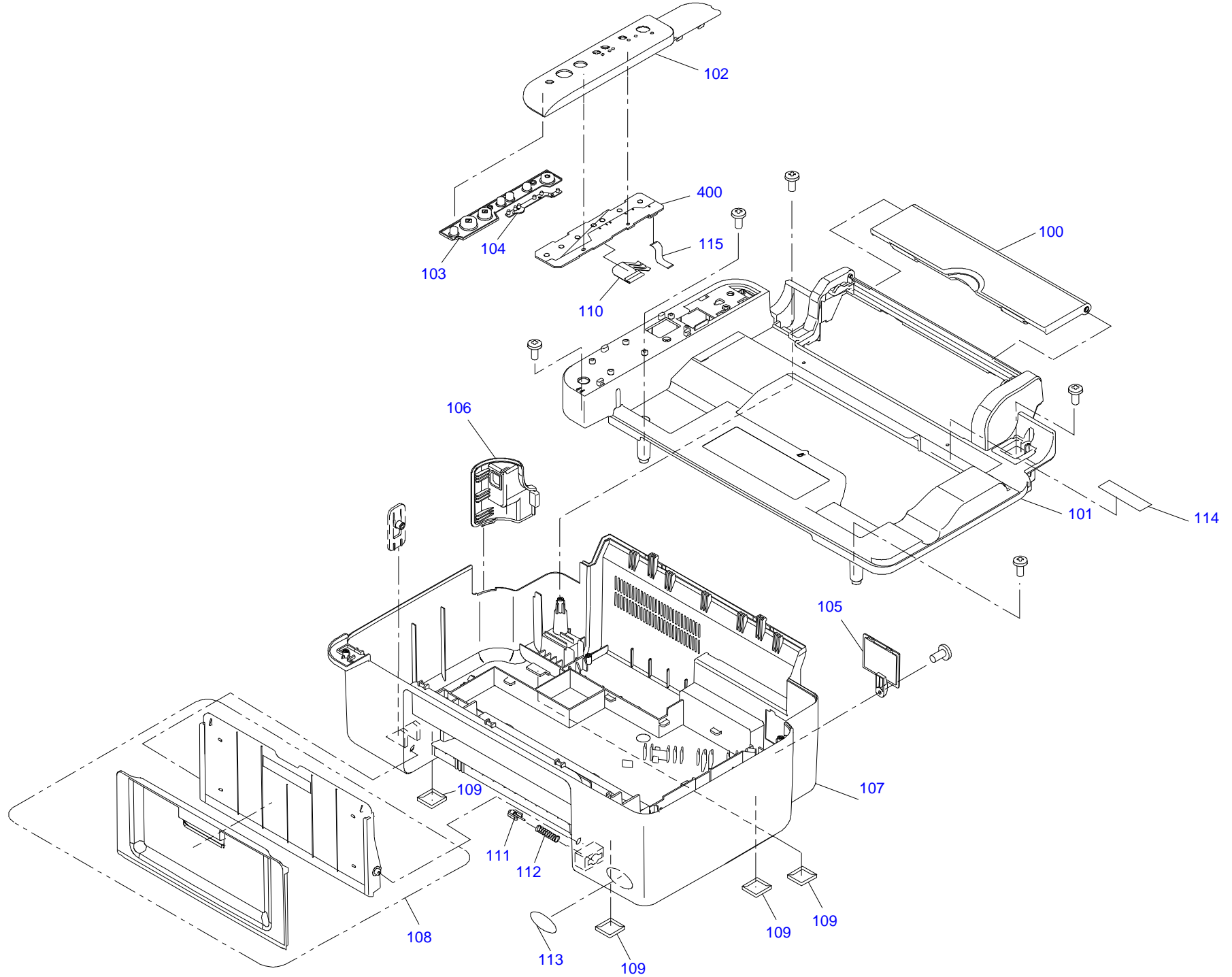


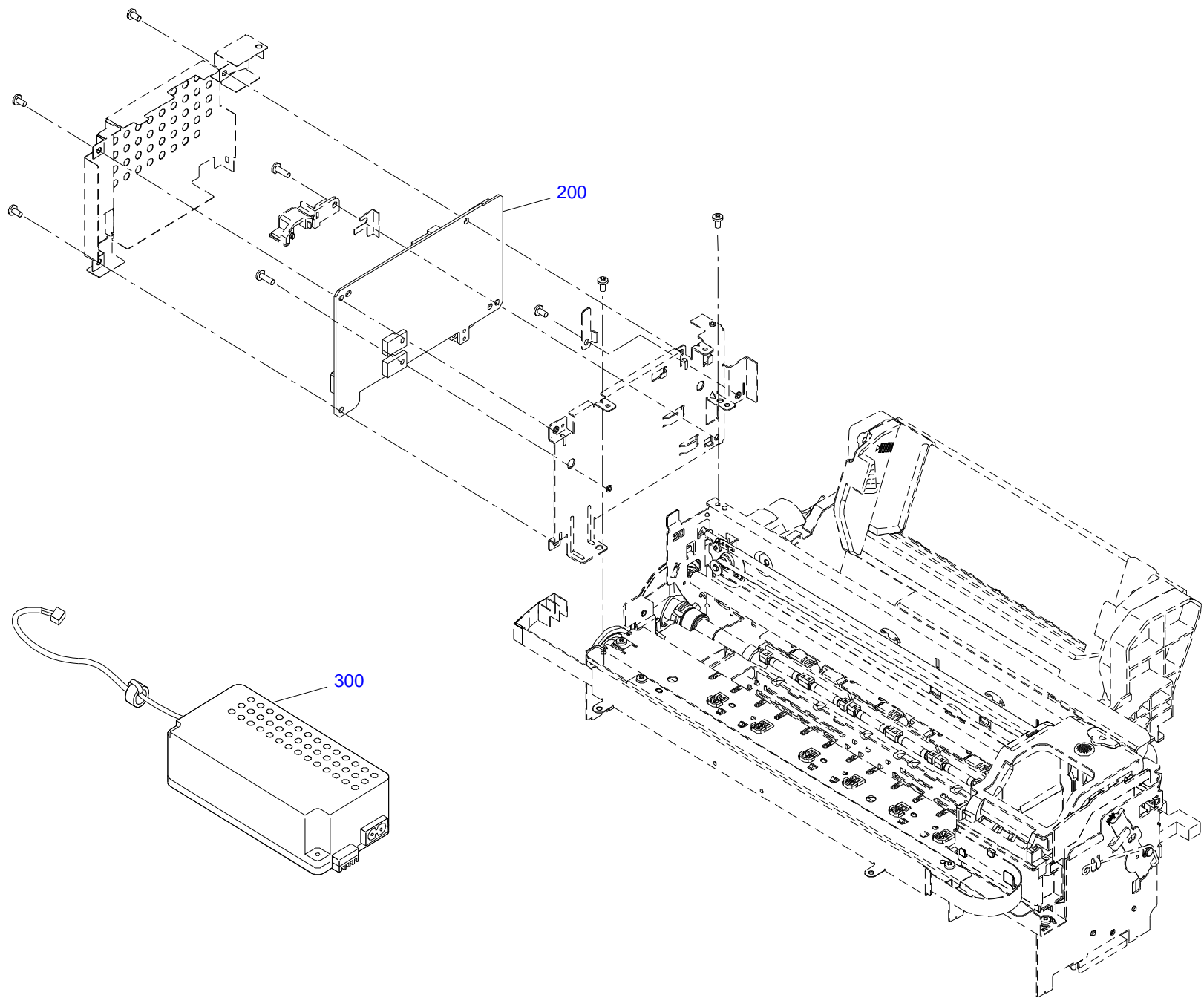
01 (except for EURO(WEST),EURO(Export),EDG,ECC)



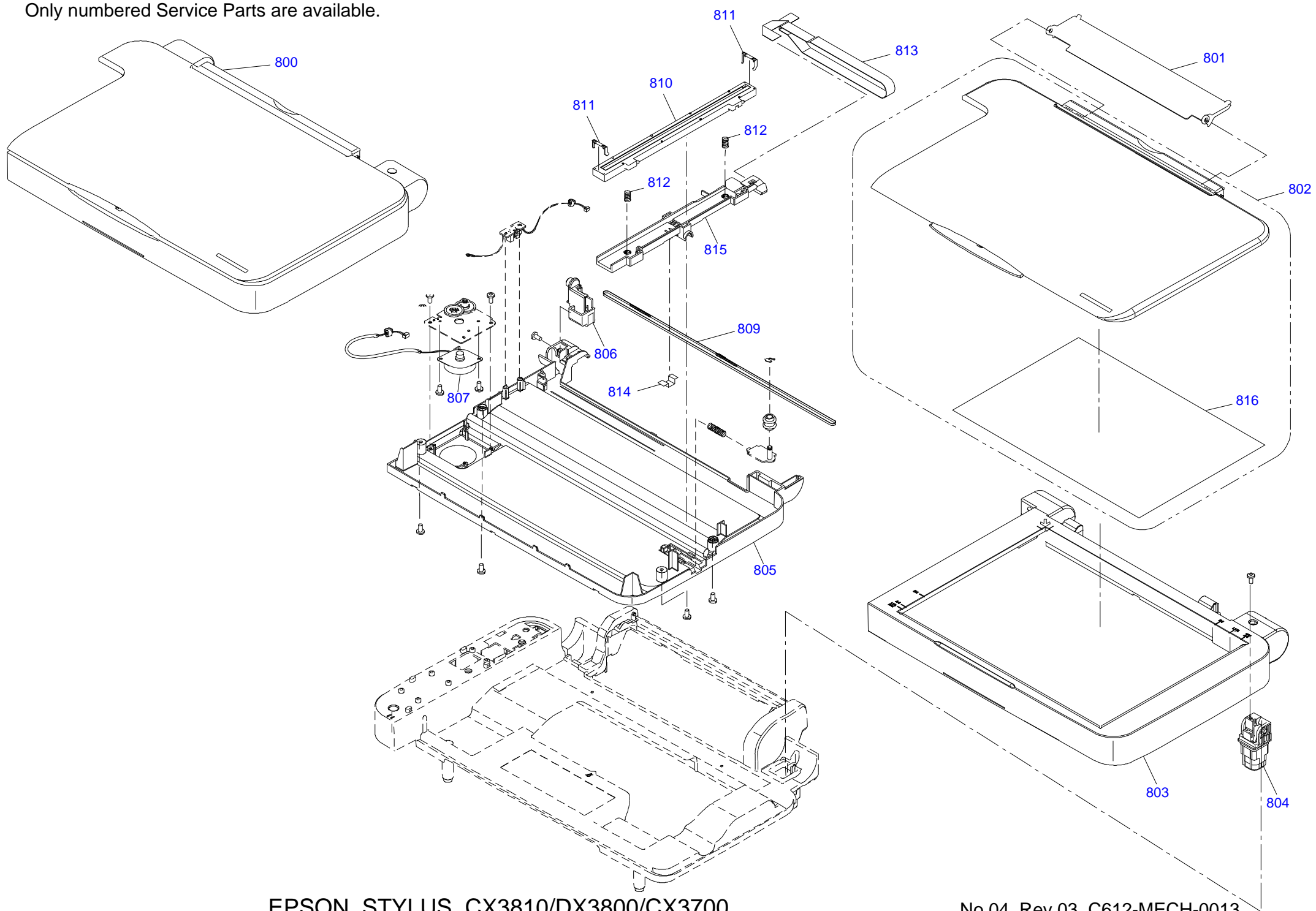


EPSON STYLUS CX3810/DX3800/CX3700/CX3805/CX3800

No.02 Rev.02 C612-CASE-002

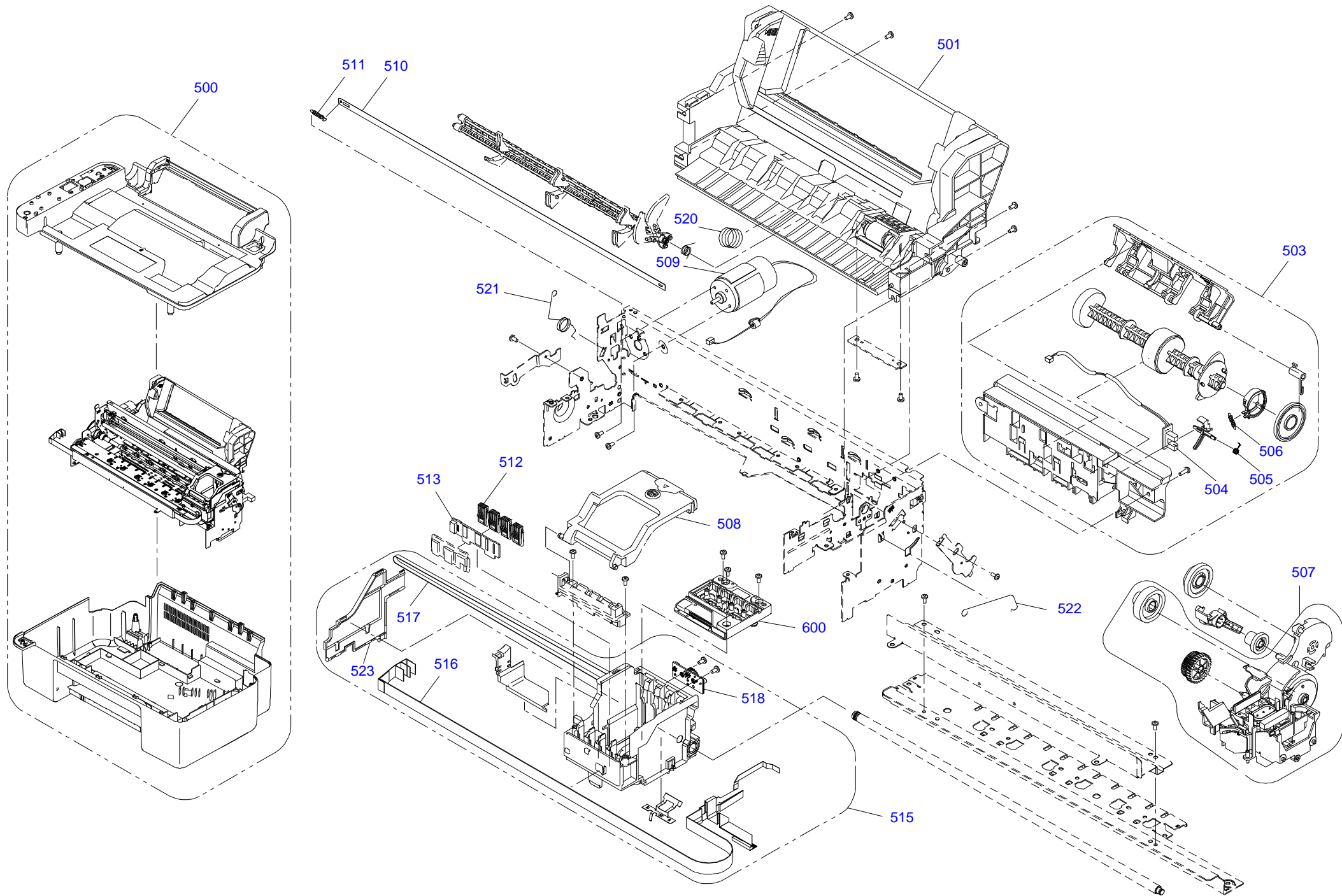


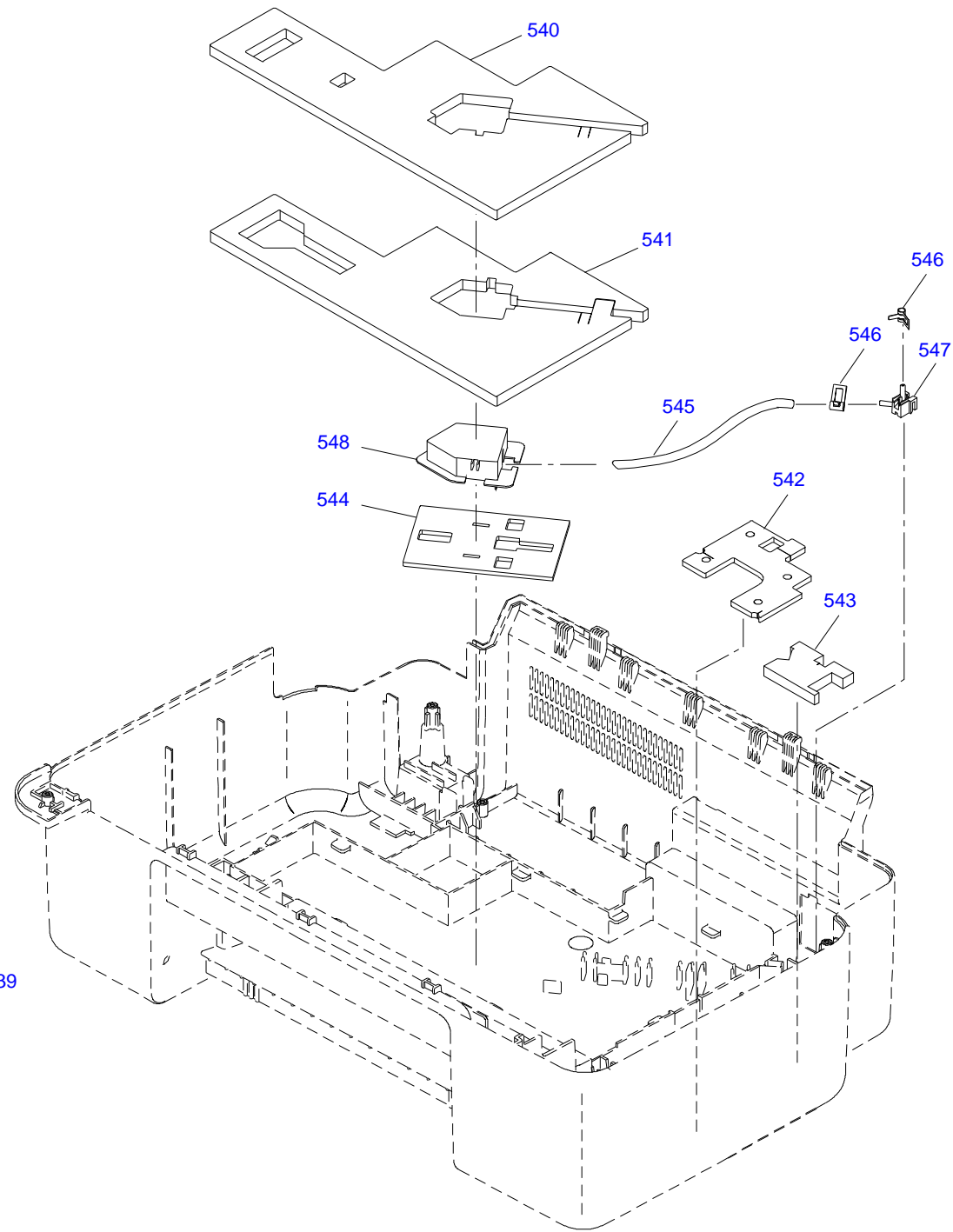
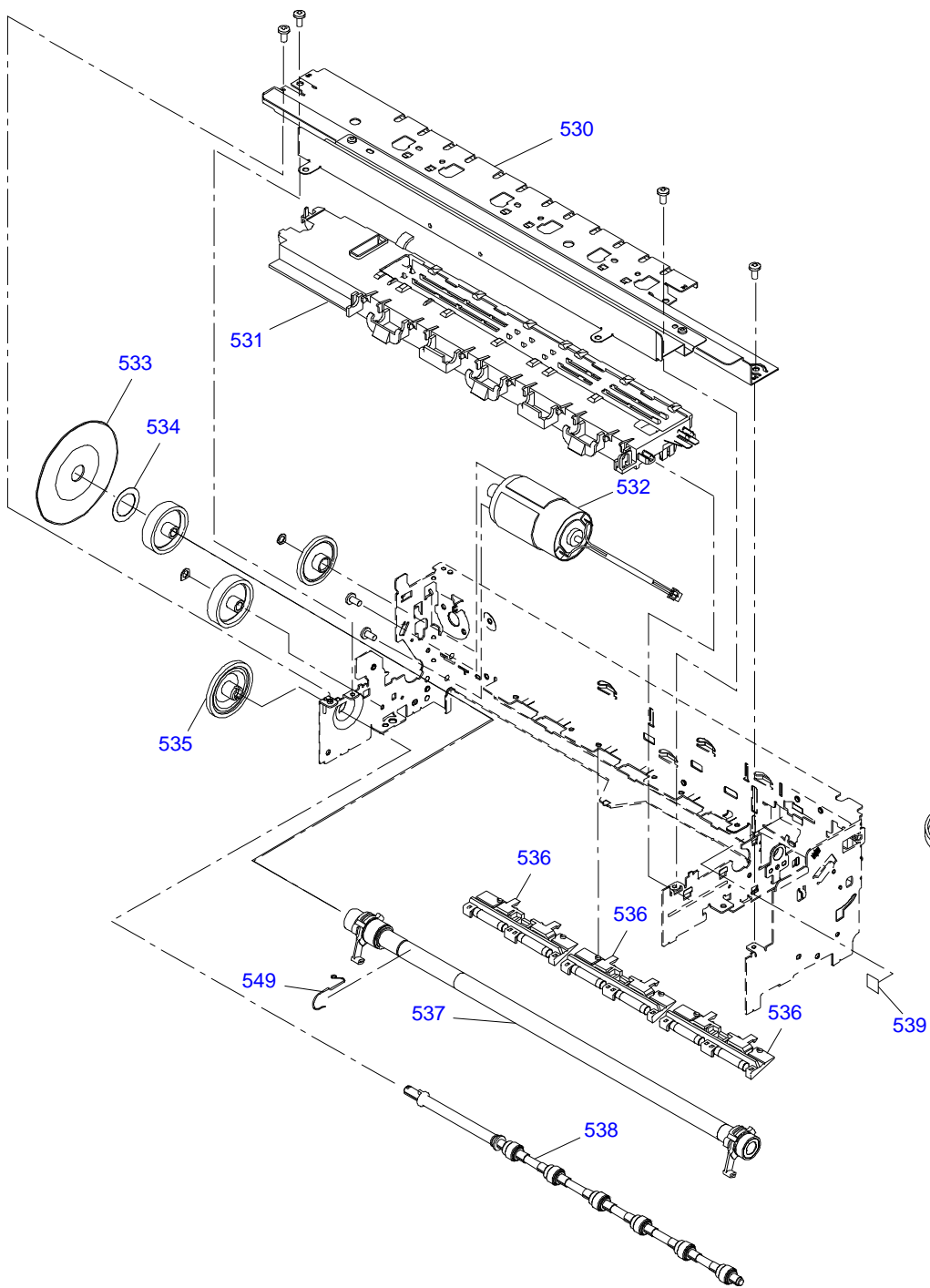
Only numbered Service Parts are available.



EPSON STYLUS CX3810/DX3800/CX3700

No.04 Rev.03 C612-MECH-0013





Part Code	Part Name	Ref No.	Category	Qty	Remark
<a href="#">1408918</a>	INK CART.UNBOXED,BK-SS,PIG'T;G38K,A/A,AS	<a href="#">NON FIG</a>	Accessories	1	
<a href="#">1408919</a>	INK CART.UNBOXED,C-SS,PIG'T;G38K,A/A,AS	<a href="#">NON FIG</a>	Accessories	1	
<a href="#">1408920</a>	INK CART.UNBOXED,M-SS,PIG'T;G38K,A/A,AS	<a href="#">NON FIG</a>	Accessories	1	
<a href="#">1408921</a>	INK CART.UNBOXED,Y-SS,PIG'T;G38K,A/A,AS	<a href="#">NON FIG</a>	Accessories	1	
<a href="#">3101174</a>	SOFTWARE CD,E/R	<a href="#">NON FIG</a>	Accessories	1	
<a href="#">4101406</a>	SETTING UP MANUAL	<a href="#">NON FIG</a>	Accessories	1	
<a href="#">4101407</a>	USER'S GUIDE	<a href="#">NON FIG</a>	Accessories	1	
<a href="#">1415778</a>	PAPER SUPPORT ASSY.	<a href="#">100</a>	Case	1	
<a href="#">1458261</a>	HOUSING,UPPER;B	<a href="#">101</a>	Case	1	
<a href="#">1411518</a>	HOUSING,PANEL;EDG2;ICON	<a href="#">102</a>	Case	1	
<a href="#">1404044</a>	BUTTON,PANEL;ENB7	<a href="#">103</a>	Case	1	
<a href="#">1404045</a>	OPTICAL TUBE,PANEL	<a href="#">104</a>	Case	1	
<a href="#">1290862</a>	COVER,REAR;EDG2	<a href="#">105</a>	Case	1	
<a href="#">1290867</a>	COVER,USB;EDG2	<a href="#">106</a>	Case	1	
<a href="#">1404039</a>	HOUSING,LOWER;EDG2	<a href="#">107</a>	Case	1	
<a href="#">1418128</a>	STACKER ASSY.;EDG2	<a href="#">108</a>	Case	1	
<a href="#">1108107</a>	FOOT	<a href="#">109</a>	Case	4	
<a href="#">1404046</a>	GROUNDING PLATE,PANEL	<a href="#">110</a>	Case	1	
<a href="#">1262427</a>	LOCK,STACKER	<a href="#">111</a>	Case	1	
<a href="#">1043083</a>	COMPRESSION SPRING,5.1	<a href="#">112</a>	Case	1	
<a href="#">1413917</a>	LABEL,DURA BRITE ULTRA	<a href="#">113</a>	Case	1	
<a href="#">1458558</a>	LABEL,INK,POSITION	<a href="#">114</a>	Case	1	
<a href="#">2101848</a>	HARNESS	<a href="#">115</a>	Case	1	
<a href="#">2101741</a>	BOARD ASSY.,PANEL	<a href="#">400</a>	Case	1	
<a href="#">2118438</a>	SCANNER UNIT(ASP);CX3700	<a href="#">800</a>	Case	1	
<a href="#">1404009</a>	COVER,ASF	<a href="#">801</a>	Case	1	
<a href="#">1411867</a>	COVER,DOCUMENT ASSY.;ENB7;CX3700	<a href="#">802</a>	Case	1	
<a href="#">1460691</a>	HOUSING,UPPER,SC;B ASSY.;IEI	<a href="#">803</a>	Case	1	
<a href="#">1404090</a>	HINGE,ASSY.	<a href="#">804</a>	Case	1	
<a href="#">1458257</a>	HOUSING,LOWER,SC;B	<a href="#">805</a>	Case	1	
<a href="#">1279324</a>	HINGE,L	<a href="#">806</a>	Case	1	
<a href="#">1408141</a>	MAT,COVER,DOCUMENT	<a href="#">816</a>	Case	1	
<a href="#">1430696</a>	MAIN BOARD ASSY.;B	<a href="#">200</a>	Electronic Parts	1	
<a href="#">1430698</a>	POWER SUPPLY UNIT;200V;B	<a href="#">300</a>	Electronic Parts	1	
<a href="#">1405294</a>	ASF UNIT	<a href="#">501</a>	Mechanism Parts	1	
<a href="#">2115094</a>	PRINTER MECHANISM(ASP)MAP10-107	<a href="#">500</a>	Mechanism Parts	1	
<a href="#">1455325</a>	HOLDER,SHAFT ASSY.;C	<a href="#">503</a>	Mechanism Parts	1	
<a href="#">2088101</a>	BOARD ASSY.,DETECTOR	<a href="#">504</a>	Mechanism Parts	1	
<a href="#">1261631</a>	TORSION SPRING,0.22	<a href="#">505</a>	Mechanism Parts	1	
<a href="#">1052673</a>	EXTENSION SPRING,0.143	<a href="#">506</a>	Mechanism Parts	1	
<a href="#">1448936</a>	INK SYSTEM ASSY.;C	<a href="#">507</a>	Mechanism Parts	1	
<a href="#">1406533</a>	COVER,CARTRIDGE;EPG2	<a href="#">508</a>	Mechanism Parts	1	
<a href="#">2101866</a>	MOTOR ASSY.,CR	<a href="#">509</a>	Mechanism Parts	1	
<a href="#">1279691</a>	SCALE,CR	<a href="#">510</a>	Mechanism Parts	1	
<a href="#">1261564</a>	EXTENSION SPRING,3.289	<a href="#">511</a>	Mechanism Parts	1	
<a href="#">1273914</a>	CONNECTOR,CSIC,E	<a href="#">512</a>	Mechanism Parts	1	
<a href="#">2088095</a>	BOARD ASSY.,CSIC	<a href="#">513</a>	Mechanism Parts	1	
<a href="#">1434746</a>	CR SUB ASSY.;B	<a href="#">515</a>	Mechanism Parts	1	
<a href="#">2101856</a>	CABLE,HEAD	<a href="#">516</a>	Mechanism Parts	1	



<a href="#">1279690</a>	TIMING BELT,CR	<a href="#">517</a>	Mechanism Parts	1	
<a href="#">2109390</a>	BOARD ASSY.,ENCODER;C	<a href="#">518</a>	Mechanism Parts	1	
<a href="#">1262190</a>	COMPRESSION SPRING,2.51	<a href="#">520</a>	Mechanism Parts	1	
<a href="#">1404032</a>	TORSION SPRING,SHAFT,CR,GUIDE	<a href="#">521</a>	Mechanism Parts	1	
<a href="#">1280780</a>	PRESSING SPRING,SHAFT,CR,GUIDE	<a href="#">522</a>	Mechanism Parts	1	
<a href="#">1279674</a>	COVER,CABLE,HEAD	<a href="#">523</a>	Mechanism Parts	1	
<a href="#">1405288</a>	FRAME,EJ ASSY.	<a href="#">530</a>	Mechanism Parts	1	
<a href="#">1450050</a>	PAPER GUIDE,FRONT ASSY.;IEI	<a href="#">531</a>	Mechanism Parts	1	With G1 Absorbed
<a href="#">2104260</a>	MOTOR,ASSY.,PF	<a href="#">532</a>	Mechanism Parts	1	
<a href="#">1280911</a>	SCALE,PF;B	<a href="#">533</a>	Mechanism Parts	1	
<a href="#">1212722</a>	DOUBLE SIDED TAPE,D21	<a href="#">534</a>	Mechanism Parts	1	
<a href="#">1404021</a>	SPUR GEAR,36	<a href="#">535</a>	Mechanism Parts	1	
<a href="#">1405284</a>	PAPER GUIDE,UPPER ASSY.	<a href="#">536</a>	Mechanism Parts	3	
<a href="#">1405283</a>	ROLLER,PF ASSY.	<a href="#">537</a>	Mechanism Parts	1	
<a href="#">1404020</a>	ROLLER,EJECT	<a href="#">538</a>	Mechanism Parts	1	
<a href="#">1437597</a>	SPACER,LEVER,CHANGE,6X6;C	<a href="#">539</a>	Mechanism Parts	1	
<a href="#">1449691</a>	POROUS PAD,INK EJECT,UPPER;ASP	<a href="#">540</a>	Mechanism Parts	1	
<a href="#">1449692</a>	POROUS PAD,INK EJECT,LOWER;ASP	<a href="#">541</a>	Mechanism Parts	1	
<a href="#">1482622</a>	POROUS PAD,CAP,LOWER;B	<a href="#">542</a>	Mechanism Parts	1	
<a href="#">1419877</a>	POROUS PAD,JOINT,LOWER	<a href="#">543</a>	Mechanism Parts	1	
<a href="#">1415885</a>	DIFFUSION SHEET,INK EJECT,ASP	<a href="#">544</a>	Mechanism Parts	1	
<a href="#">1404057</a>	TUBE,INK EJECT	<a href="#">545</a>	Mechanism Parts	1	
<a href="#">1175070</a>	CLAMP,TUBE	<a href="#">546</a>	Mechanism Parts	2	
<a href="#">1431707</a>	JOINT,INK EJECT	<a href="#">547</a>	Mechanism Parts	1	
<a href="#">1411294</a>	COVER,INK EJECT	<a href="#">548</a>	Mechanism Parts	1	
<a href="#">1261589</a>	GROUNDING SPRING,PF	<a href="#">549</a>	Mechanism Parts	1	
<a href="#">F181010</a>	PRINT HEAD	<a href="#">600</a>	Mechanism Parts	1	
<a href="#">2103419</a>	MOTOR ASSY.,SC	<a href="#">807</a>	Mechanism Parts	1	
<a href="#">1279529</a>	TIMING BELT,CR,SC	<a href="#">809</a>	Mechanism Parts	1	
<a href="#">2111901</a>	CIS	<a href="#">810</a>	Mechanism Parts	1	
<a href="#">1279547</a>	SPACER,CIS,A17	<a href="#">811</a>	Mechanism Parts	2	
<a href="#">1279548</a>	SPACER,CIS,B19	<a href="#">811</a>	Mechanism Parts	2	
<a href="#">1279549</a>	SPACER,CIS,C21	<a href="#">811</a>	Mechanism Parts	2	
<a href="#">1279546</a>	SPRING,CIS	<a href="#">812</a>	Mechanism Parts	2	
<a href="#">2105814</a>	FFC,CIS;B	<a href="#">813</a>	Mechanism Parts	1	
<a href="#">1260329</a>	CLAMP,BELT	<a href="#">814</a>	Mechanism Parts	1	
<a href="#">1404004</a>	CR,CIS	<a href="#">815</a>	Mechanism Parts	1	
<a href="#">1401646</a>	ORIGIN ADJUSTMENT TOOL	<a href="#">NON FIG</a>	Tools	1	
<a href="#">1416817</a>	CLEANING SHEET,L	<a href="#">NON FIG</a>	Tools	1	

Part Code	Part Name	Ref No.	Category	Qty	Remark
-----------	-----------	---------	----------	-----	--------