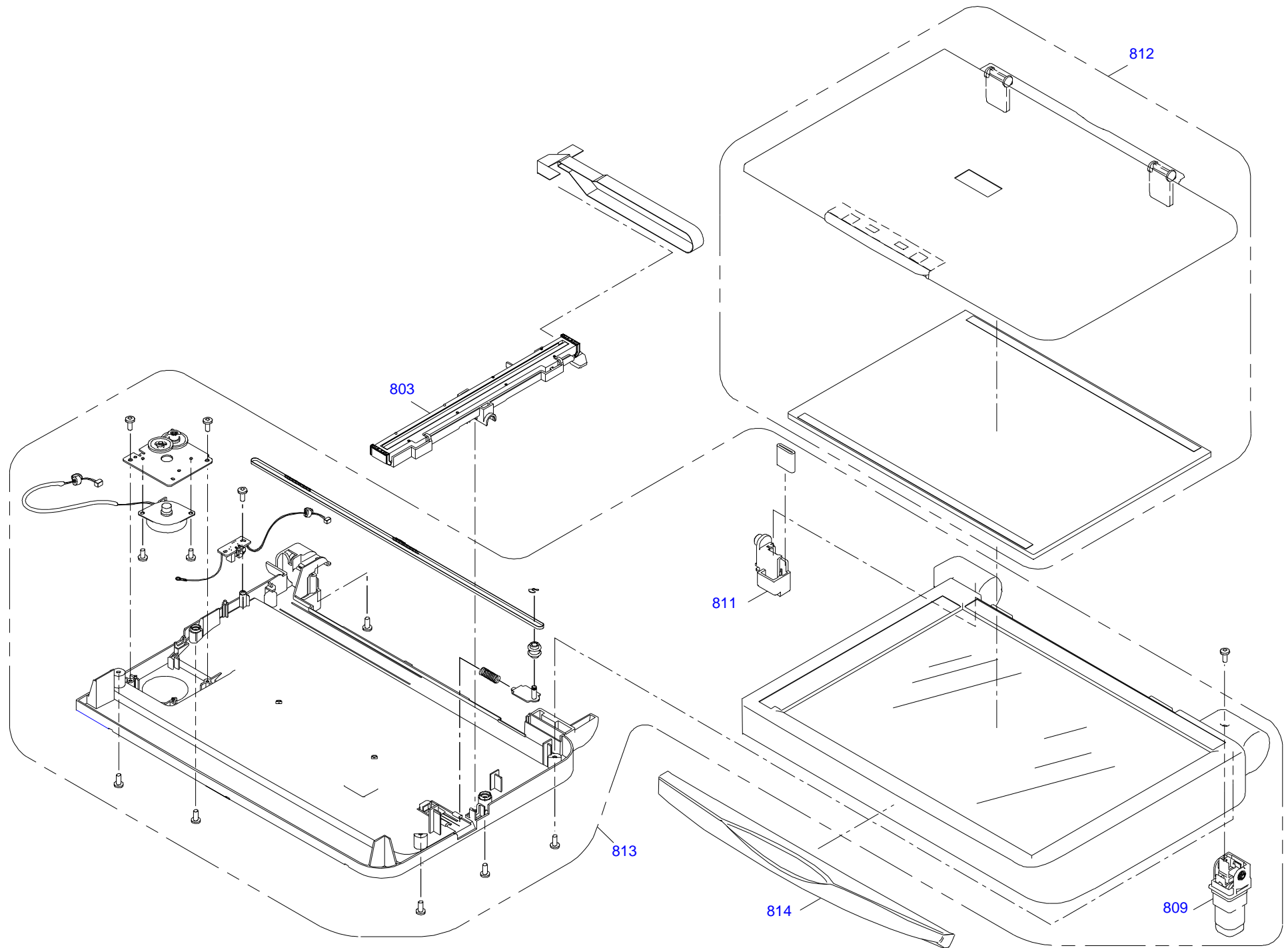
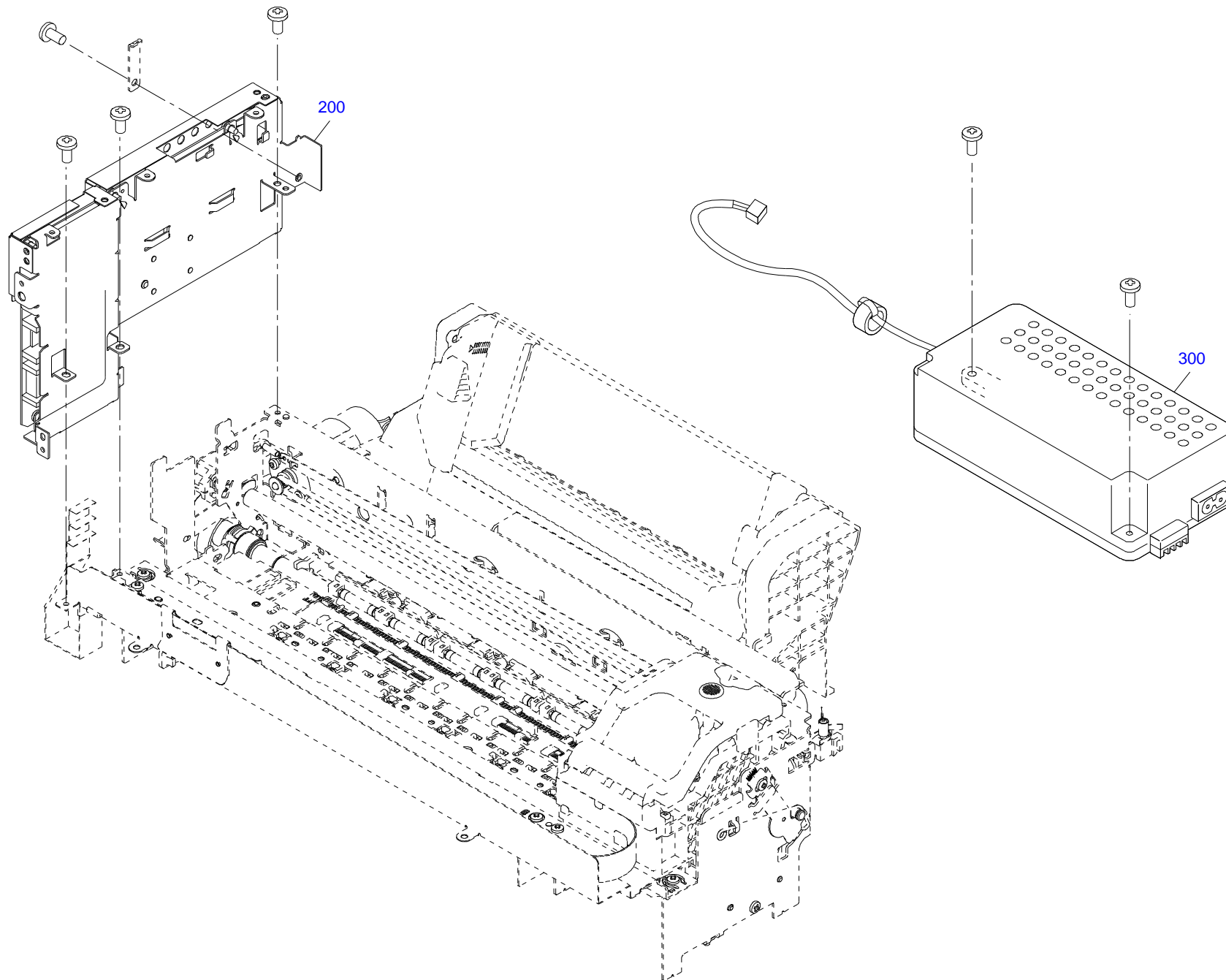


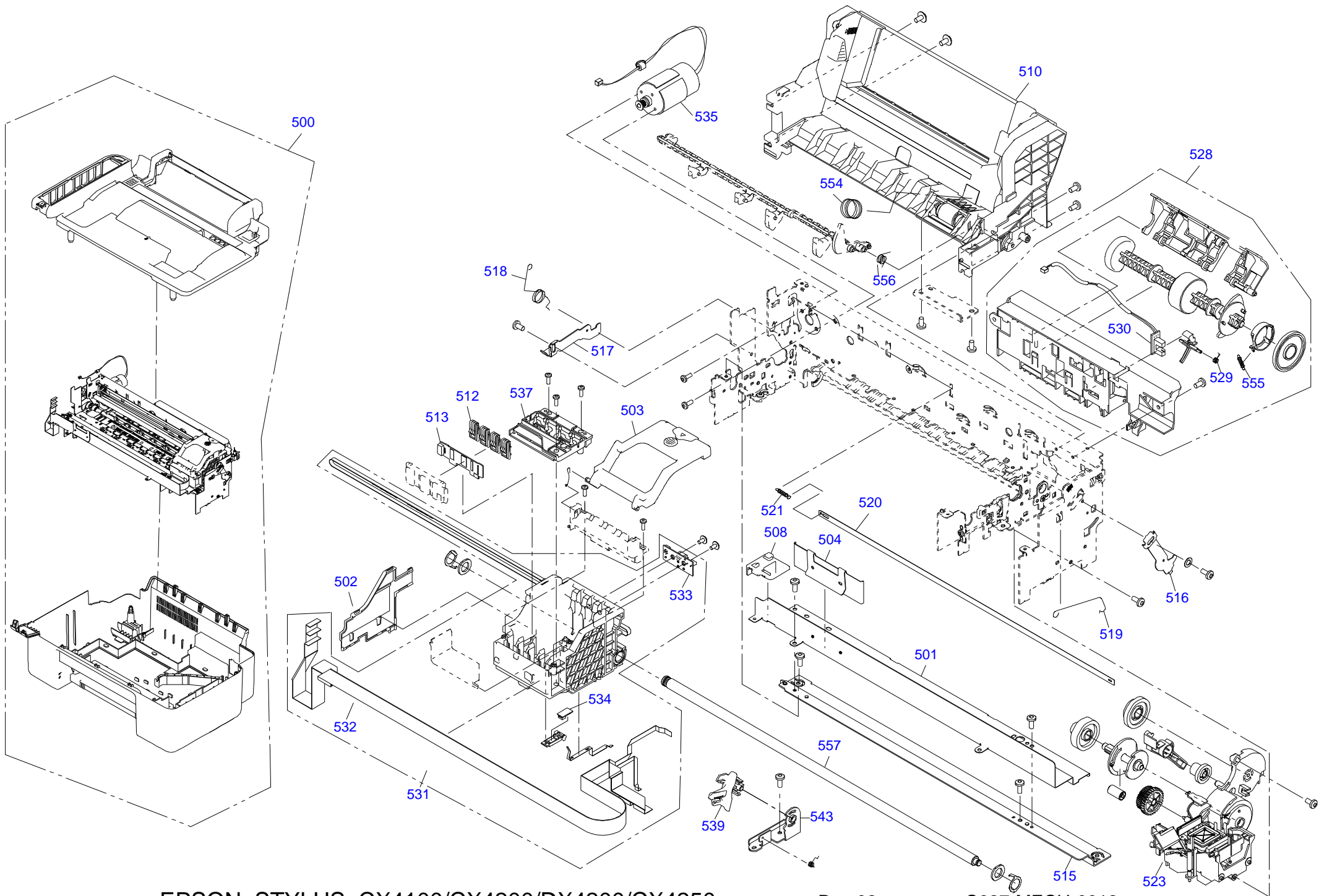
EPSON STYLUS CX4100/CX4200/DX4200/DX4250

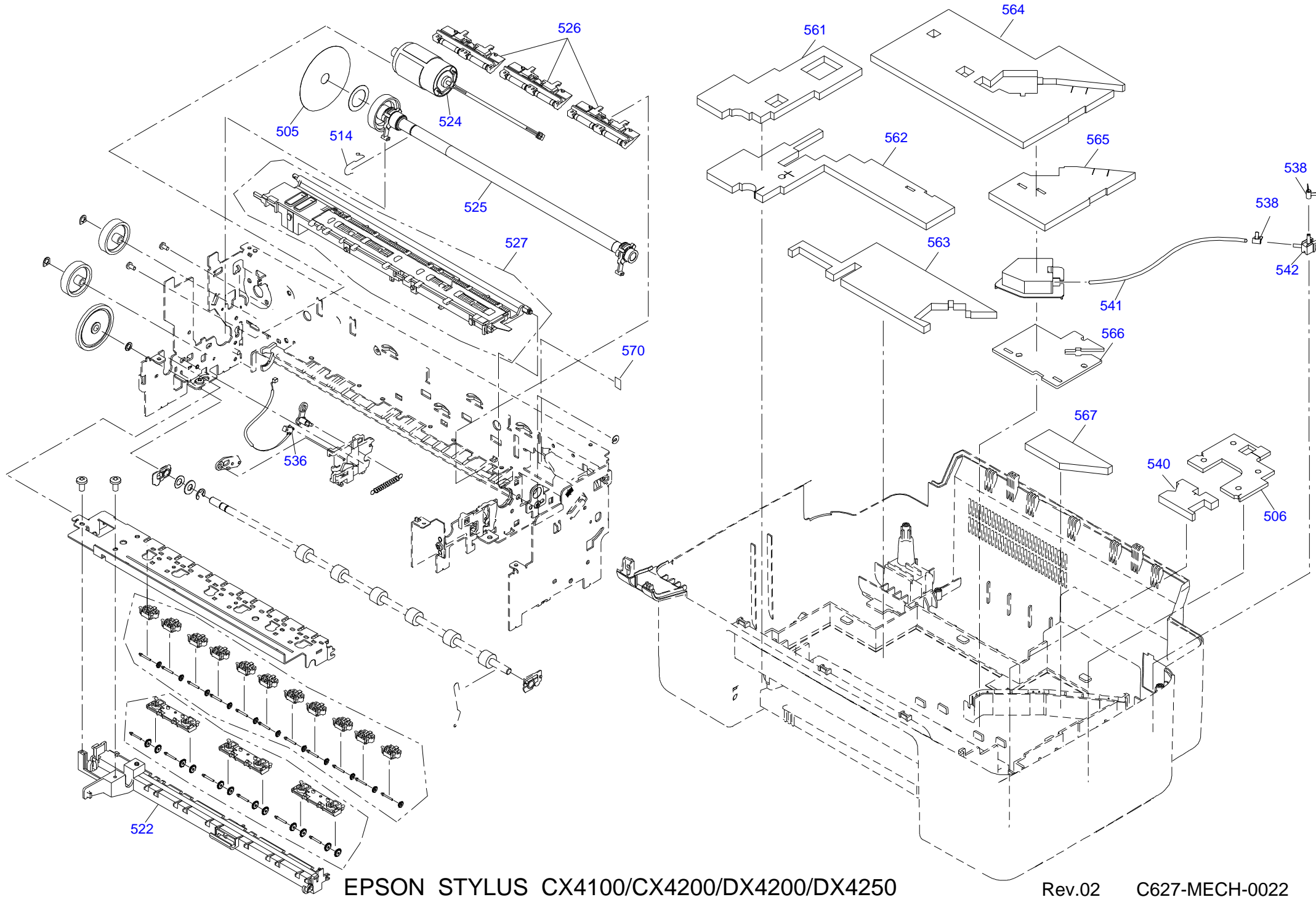
Rev.03

C627-CASE -0013









EPSON STYLUS CX4100/CX4200/DX4200/DX4250

Rev.02

C627-MECH-0022

| Part Code               | Part Name                                | Ref No.                 | Category         | Qty | Remark |
|-------------------------|--|-------------------------|------------------|-----|--------|
| <a href="#">1408918</a> | INK CART.UNBOXED,BK-SS,PIG'T;G38K,A/A,AS | <a href="#">NON FIG</a> | Accessories      | 1   |        |
| <a href="#">1408919</a> | INK CART.UNBOXED,C-SS,PIG'T;G38K,A/A,AS  | <a href="#">NON FIG</a> | Accessories      | 1   |        |
| <a href="#">1408920</a> | INK CART.UNBOXED,M-SS,PIG'T;G38K,A/A,AS  | <a href="#">NON FIG</a> | Accessories      | 1   |        |
| <a href="#">1408921</a> | INK CART.UNBOXED,Y-SS,PIG'T;G38K,A/A,AS  | <a href="#">NON FIG</a> | Accessories      | 1   |        |
| <a href="#">3101190</a> | SOFTWARE CD,E/R                          | <a href="#">NON FIG</a> | Accessories      | 1   |        |
| <a href="#">4101395</a> | SETTING UP MANUAL                        | <a href="#">NON FIG</a> | Accessories      | 1   |        |
| <a href="#">4101396</a> | USER'S GUIDE                             | <a href="#">NON FIG</a> | Accessories      | 1   |        |
| <a href="#">1279320</a> | COVER,ASF                                | <a href="#">100</a>     | Case             | 1   |        |
| <a href="#">1290862</a> | COVER,REAR;EDG2                          | <a href="#">101</a>     | Case             | 1   |        |
| <a href="#">1290867</a> | COVER,USB;EDG2                           | <a href="#">102</a>     | Case             | 1   |        |
| <a href="#">1415778</a> | PAPER SUPPORT ASSY.                      | <a href="#">105</a>     | Case             | 1   |        |
| <a href="#">1405406</a> | HOUSING,UPPER,EDG2                       | <a href="#">106</a>     | Case             | 1   |        |
| <a href="#">1291527</a> | STACKER ASSY.;EDG2                       | <a href="#">108</a>     | Case             | 1   |        |
| <a href="#">1108107</a> | FOOT                                     | <a href="#">111</a>     | Case             | 4   |        |
| <a href="#">1262427</a> | LOCK,STACKER                             | <a href="#">112</a>     | Case             | 1   |        |
| <a href="#">1407815</a> | HOUSING,LOWER                            | <a href="#">113</a>     | Case             | 1   |        |
| <a href="#">1411777</a> | BUTTON,INK;B;ENB7                        | <a href="#">115</a>     | Case             | 1   |        |
| <a href="#">1438447</a> | BUTTON,COPY;ENB7                         | <a href="#">116</a>     | Case             | 1   |        |
| <a href="#">1411776</a> | BUTTON,POWER;B;ENB7                      | <a href="#">117</a>     | Case             | 1   |        |
| <a href="#">1411779</a> | BUTTON,S;ENB7                            | <a href="#">118</a>     | Case             | 1   |        |
| <a href="#">1438448</a> | BUTTON,STOP;ENB7                         | <a href="#">119</a>     | Case             | 1   |        |
| <a href="#">1415513</a> | DECORATION PLATE,H.PANEL;EBM;ICON        | <a href="#">121</a>     | Case             | 1   |        |
| <a href="#">1455704</a> | HOUSING,PANEL                            | <a href="#">122</a>     | Case             | 1   |        |
| <a href="#">1291517</a> | COVER,LED                                | <a href="#">124</a>     | Case             | 1   |        |
| <a href="#">1291516</a> | OPTICAL TUBE,PANEL,LOWER                 | <a href="#">125</a>     | Case             | 1   |        |
| <a href="#">2103639</a> | BOARD ASSY.,PANEL                        | <a href="#">450</a>     | Case             | 1   |        |
| <a href="#">2089304</a> | HARNESS                                  | <a href="#">451</a>     | Case             | 1   |        |
| <a href="#">2111661</a> | CIS                                      | <a href="#">803</a>     | Case             | 1   |        |
| <a href="#">1404090</a> | HINGE,ASSY.                              | <a href="#">809</a>     | Case             | 1   |        |
| <a href="#">1279324</a> | HINGE,L                                  | <a href="#">811</a>     | Case             | 1   |        |
| <a href="#">1416879</a> | COVER,DOCUMENT ASSY.,CX4100              | <a href="#">812</a>     | Case             | 1   |        |
| <a href="#">2122374</a> | SCANNER ASSY.,EDG2;C;ASP                 | <a href="#">813</a>     | Case             | 1   |        |
| <a href="#">1404089</a> | HOUSING,SC,SUPPORT                       | <a href="#">814</a>     | Case             | 1   |        |
| <a href="#">1410305</a> | LABEL,INK,POSITION                       | <a href="#">NON FIG</a> | Case             | 1   |        |
| <a href="#">1430808</a> | MAIN BOARD ASSY.;C                       | <a href="#">200</a>     | Electronic Parts | 1   |        |
| <a href="#">1430698</a> | POWER SUPPLY UNIT;200V;B                 | <a href="#">300</a>     | Electronic Parts | 1   |        |
| <a href="#">2115577</a> | PRINTER MECHANISM(ASP)MAO10-107          | <a href="#">500</a>     | Mechanism Parts  | 1   |        |
| <a href="#">1413409</a> | FRAME,FRONT;B                            | <a href="#">501</a>     | Mechanism Parts  | 1   |        |
| <a href="#">1279674</a> | COVER,CABLE,HEAD                         | <a href="#">502</a>     | Mechanism Parts  | 1   |        |
| <a href="#">1406533</a> | COVER,CARTRIDGE;EPG2                     | <a href="#">503</a>     | Mechanism Parts  | 1   |        |
| <a href="#">1279692</a> | FRAME,HOLDER,FFC                         | <a href="#">504</a>     | Mechanism Parts  | 1   |        |
| <a href="#">1280911</a> | SCALE,PF;B                               | <a href="#">505</a>     | Mechanism Parts  | 1   |        |
| <a href="#">1482622</a> | POROUS PAD,CAP,LOWER;B                   | <a href="#">506</a>     | Mechanism Parts  | 1   |        |
| <a href="#">1280783</a> | GUIDE,FFC                                | <a href="#">508</a>     | Mechanism Parts  | 1   |        |
| <a href="#">1405294</a> | ASF UNIT                                 | <a href="#">510</a>     | Mechanism Parts  | 1   |        |
| <a href="#">1273914</a> | CONNECTOR,CSIC,E                         | <a href="#">512</a>     | Mechanism Parts  | 1   |        |
| <a href="#">2088095</a> | BOARD ASSY.,CSIC                         | <a href="#">513</a>     | Mechanism Parts  | 1   |        |
| <a href="#">1261589</a> | GROUNDING SPRING,PF                      | <a href="#">514</a>     | Mechanism Parts  | 1   |        |
| <a href="#">1279665</a> | FRAME,GUIDE,CR                           | <a href="#">515</a>     | Mechanism Parts  | 1   |        |

|                         |                                  |                     |                 |   |
|-------------------------|----------------------------------|---------------------|-----------------|---|
| <a href="#">1279683</a> | LEVER,PARALLEL ADJUSTMENT,RIGHT  | <a href="#">516</a> | Mechanism Parts | 1 |
| <a href="#">1461263</a> | LEVER,PARALLEL ADJUSTMENT,LEFT   | <a href="#">517</a> | Mechanism Parts | 1 |
| <a href="#">1279687</a> | TORSION SPRING,SHAFT,CR,GUIDE    | <a href="#">518</a> | Mechanism Parts | 1 |
| <a href="#">1280780</a> | PRESSING SPRING,SHAFT,CR,GUIDE   | <a href="#">519</a> | Mechanism Parts | 1 |
| <a href="#">1279691</a> | SCALE,CR                         | <a href="#">520</a> | Mechanism Parts | 1 |
| <a href="#">1261564</a> | EXTENSION SPRING,3.289           | <a href="#">521</a> | Mechanism Parts | 1 |
| <a href="#">1279699</a> | PAPER GUIDE,FRONT,SUPPORT        | <a href="#">522</a> | Mechanism Parts | 1 |
| <a href="#">1430472</a> | INK SYSTEM ASSY.;B               | <a href="#">523</a> | Mechanism Parts | 1 |
| <a href="#">2104260</a> | MOTOR,ASSY.,PF                   | <a href="#">524</a> | Mechanism Parts | 1 |
| <a href="#">1405516</a> | ROLLER,PF ASSY.                  | <a href="#">525</a> | Mechanism Parts | 1 |
| <a href="#">1405284</a> | PAPER GUIDE,UPPER ASSY.          | <a href="#">526</a> | Mechanism Parts | 3 |
| <a href="#">1453403</a> | PAPER GUIDE,FRONT ASSY.          | <a href="#">527</a> | Mechanism Parts | 1 |
| <a href="#">1455343</a> | HOLDER,SHAFT ASSY.;C             | <a href="#">528</a> | Mechanism Parts | 1 |
| <a href="#">1261631</a> | TORSION SPRING,0.22              | <a href="#">529</a> | Mechanism Parts | 1 |
| <a href="#">2088101</a> | BOARD ASSY.,DETECTOR             | <a href="#">530</a> | Mechanism Parts | 1 |
| <a href="#">1434277</a> | CR SUB ASSY.;B                   | <a href="#">531</a> | Mechanism Parts | 1 |
| <a href="#">2101868</a> | CABLE,HEAD                       | <a href="#">532</a> | Mechanism Parts | 1 |
| <a href="#">2101870</a> | BOARD ASSY.,ENCODER              | <a href="#">533</a> | Mechanism Parts | 1 |
| <a href="#">2109393</a> | BOARD ASSY.,DETECTOR,PW;B        | <a href="#">534</a> | Mechanism Parts | 1 |
| <a href="#">2101866</a> | MOTOR ASSY.,CR                   | <a href="#">535</a> | Mechanism Parts | 1 |
| <a href="#">2088338</a> | DETECTOR ASSY.,PG                | <a href="#">536</a> | Mechanism Parts | 1 |
| <a href="#">F164060</a> | PRINT HEAD                       | <a href="#">537</a> | Mechanism Parts | 1 |
| <a href="#">1175070</a> | CLAMP,TUBE                       | <a href="#">538</a> | Mechanism Parts | 2 |
| <a href="#">1406534</a> | LEVER,PG;EPG2                    | <a href="#">539</a> | Mechanism Parts | 1 |
| <a href="#">1443201</a> | POROUS PAD,JOINT,LOWER           | <a href="#">540</a> | Mechanism Parts | 1 |
| <a href="#">1404057</a> | TUBE,INK EJECT                   | <a href="#">541</a> | Mechanism Parts | 1 |
| <a href="#">1431707</a> | JOINT,INK EJECT                  | <a href="#">542</a> | Mechanism Parts | 1 |
| <a href="#">1280788</a> | MOUNTING PLATE,LEVER,PG          | <a href="#">543</a> | Mechanism Parts | 1 |
| <a href="#">1262190</a> | COMPRESSION SPRING,2.51          | <a href="#">554</a> | Mechanism Parts | 1 |
| <a href="#">1052673</a> | EXTENSION SPRING,0.143           | <a href="#">555</a> | Mechanism Parts | 1 |
| <a href="#">1263324</a> | TORSION SPRING,6.45              | <a href="#">556</a> | Mechanism Parts | 1 |
| <a href="#">1279688</a> | SHAFT,CR GUIDE                   | <a href="#">557</a> | Mechanism Parts | 1 |
| <a href="#">1288643</a> | POROUS PAD,INK EJECT,7;B         | <a href="#">561</a> | Mechanism Parts | 1 |
| <a href="#">1405430</a> | POROUS PAD,INK EJECT,8;B         | <a href="#">562</a> | Mechanism Parts | 1 |
| <a href="#">1405429</a> | POROUS PAD,INK EJECT,6;B         | <a href="#">563</a> | Mechanism Parts | 1 |
| <a href="#">1405428</a> | POROUS PAD,INK EJECT,5;B         | <a href="#">564</a> | Mechanism Parts | 1 |
| <a href="#">1405427</a> | POROUS PAD,INK EJECT,3;B         | <a href="#">565</a> | Mechanism Parts | 1 |
| <a href="#">1415902</a> | DIFFUSION SHEET,INK EJECT,ASP    | <a href="#">566</a> | Mechanism Parts | 1 |
| <a href="#">1288640</a> | POROUS PAD,INK EJECT,4;B         | <a href="#">567</a> | Mechanism Parts | 1 |
| <a href="#">1437509</a> | SPACER,LEVER,CHANGE,6X6;B        | <a href="#">570</a> | Mechanism Parts | 1 |
| <a href="#">1030972</a> | PLANE WASHER,2.6X0.5X8           | NON FIG             | Mechanism Parts | 1 |
| <a href="#">1043083</a> | COMPRESSION SPRING,5.1           | NON FIG             | Mechanism Parts | 1 |
| <a href="#">1080399</a> | SPACER,4.1X0.5,L/NA              | NON FIG             | Mechanism Parts | 1 |
| <a href="#">1274963</a> | TORSION SPRING,LEVER,CARTRIDGE;B | NON FIG             | Mechanism Parts | 1 |
| <a href="#">1279697</a> | SPUR GEAR,30.8                   | NON FIG             | Mechanism Parts | 1 |
| <a href="#">1411294</a> | COVER,INK EJECT                  | NON FIG             | Mechanism Parts | 1 |
| <a href="#">1401646</a> | ORIGIN ADJUSTMENT TOOL           | NON FIG             | Tools           | 1 |
| <a href="#">1416817</a> | CLEANING SHEET,L                 | NON FIG             | Tools           | 1 |

| Part Code | Part Name | Ref No. | Category | Qty | Remark |
|-----------|-----------|---------|----------|-----|--------|
|-----------|-----------|---------|----------|-----|--------|