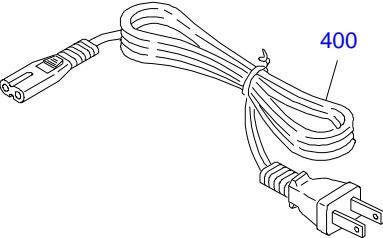
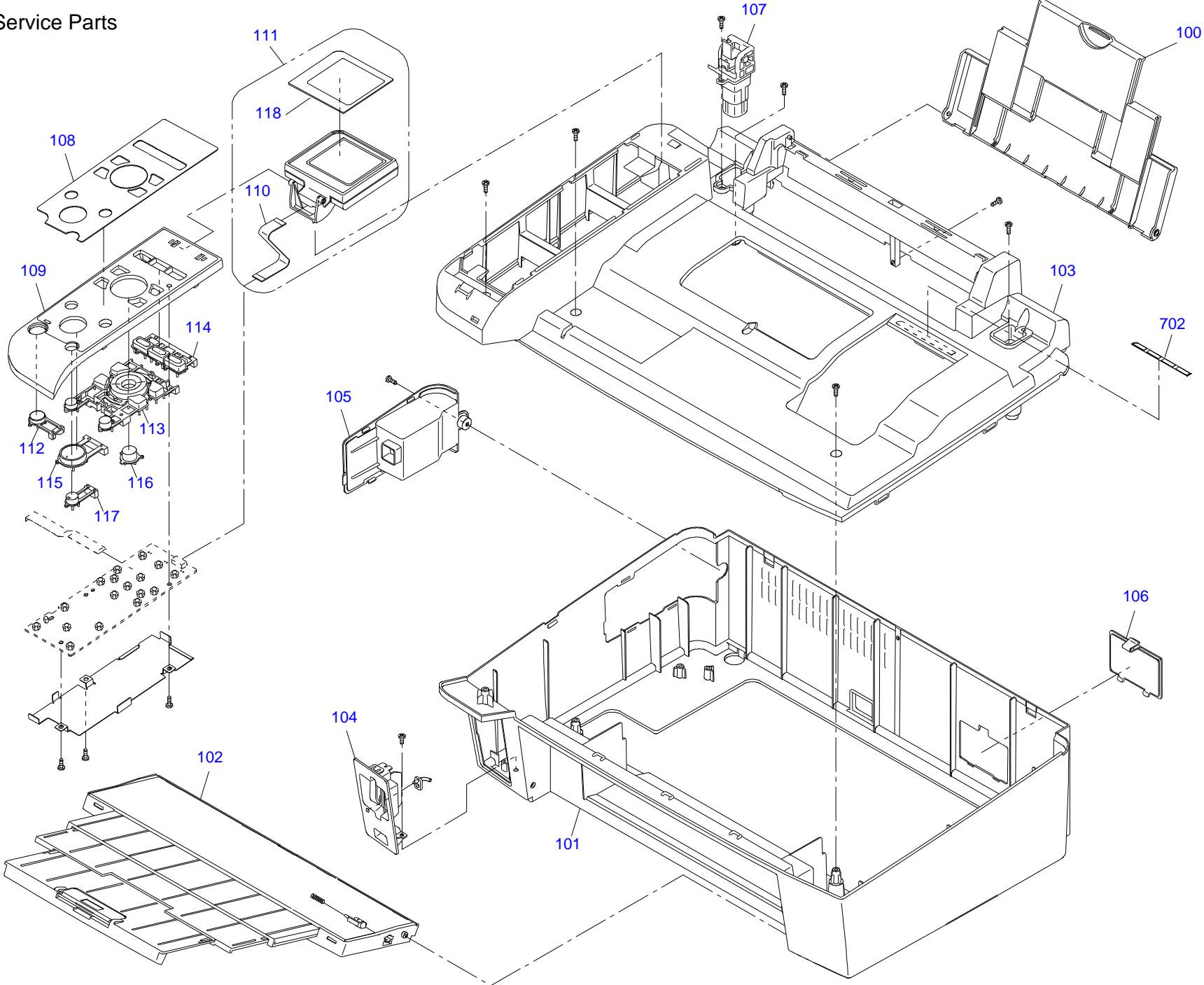


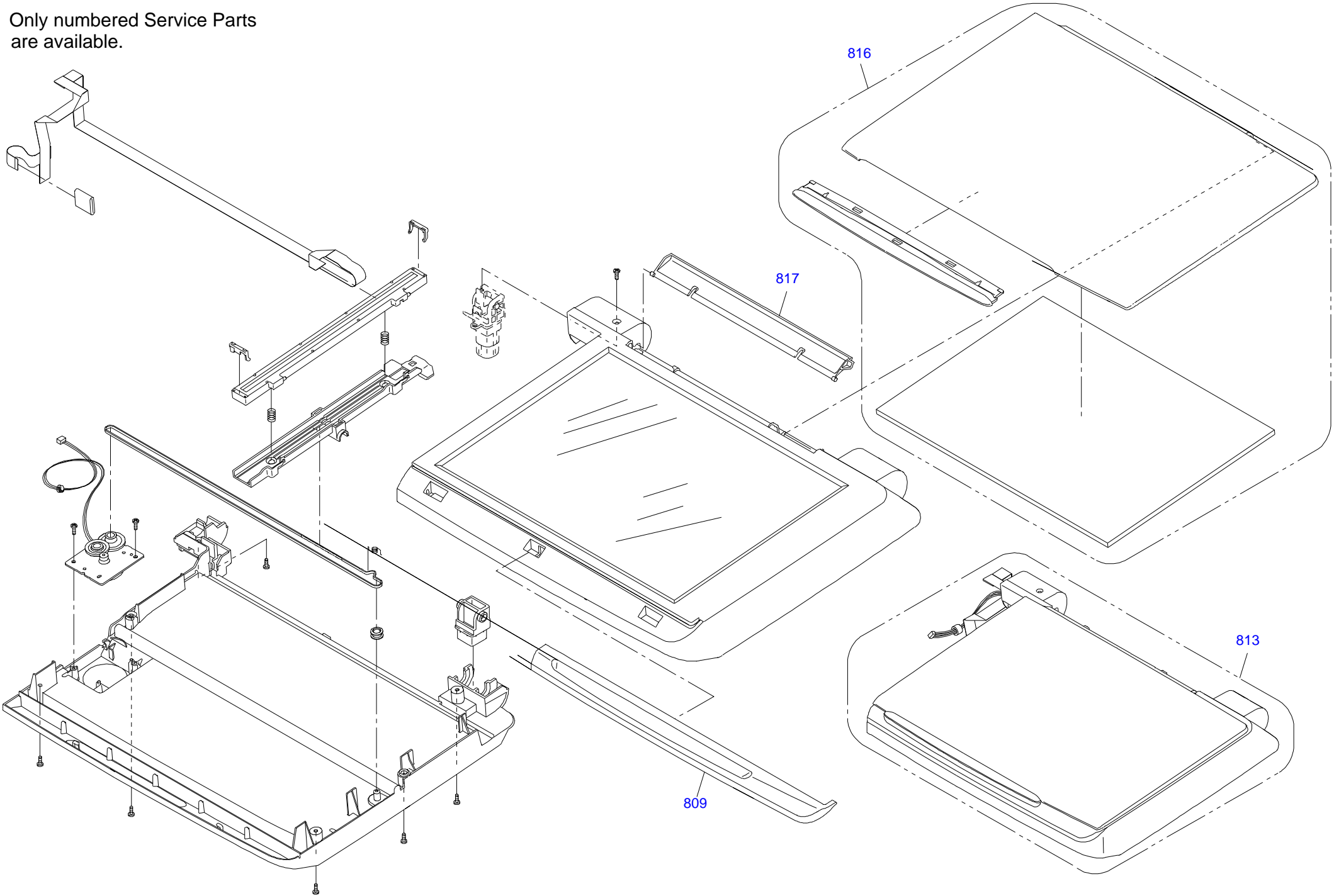
Only numbered Service Parts
are available.



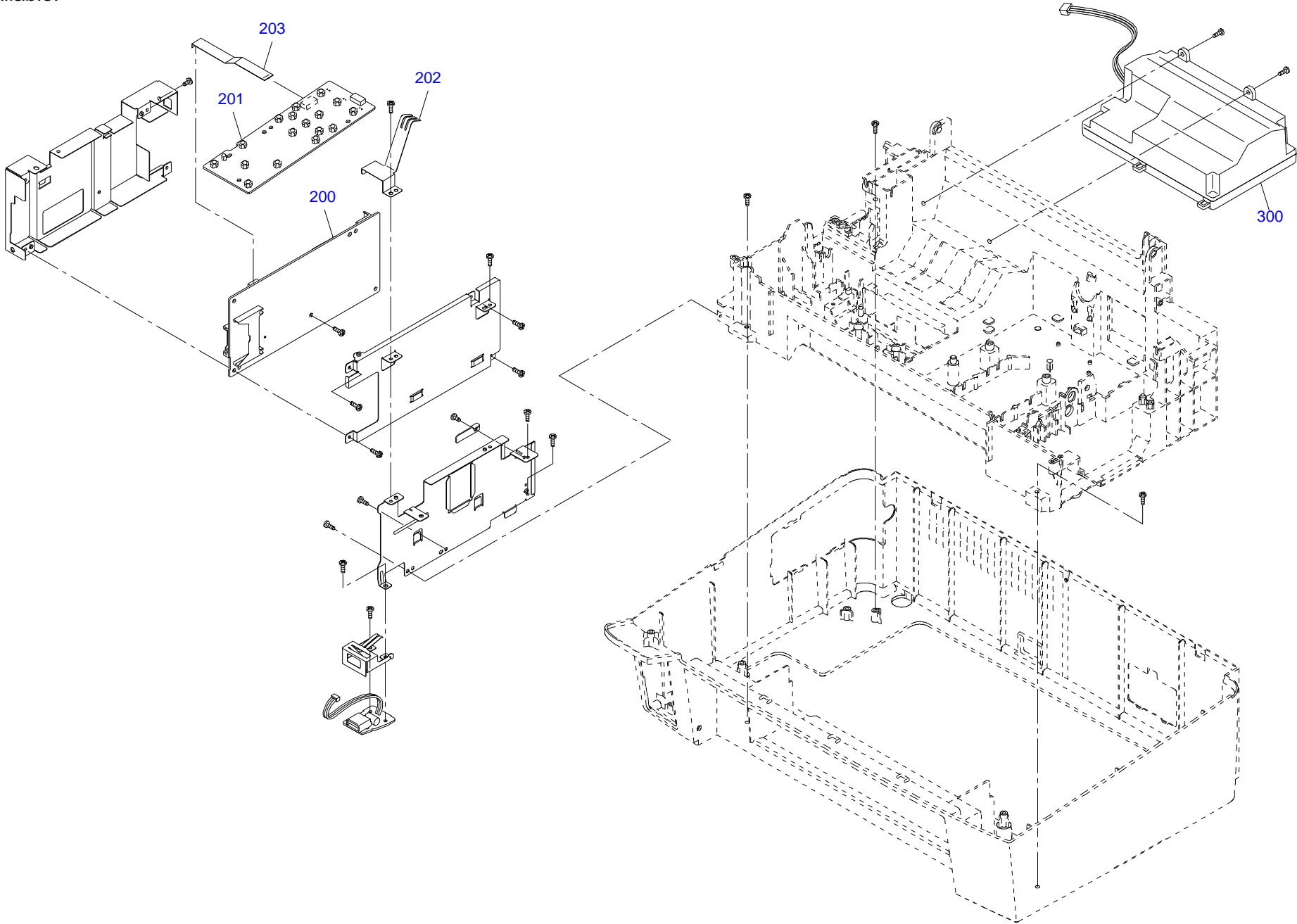
Only numbered Service Parts are available.



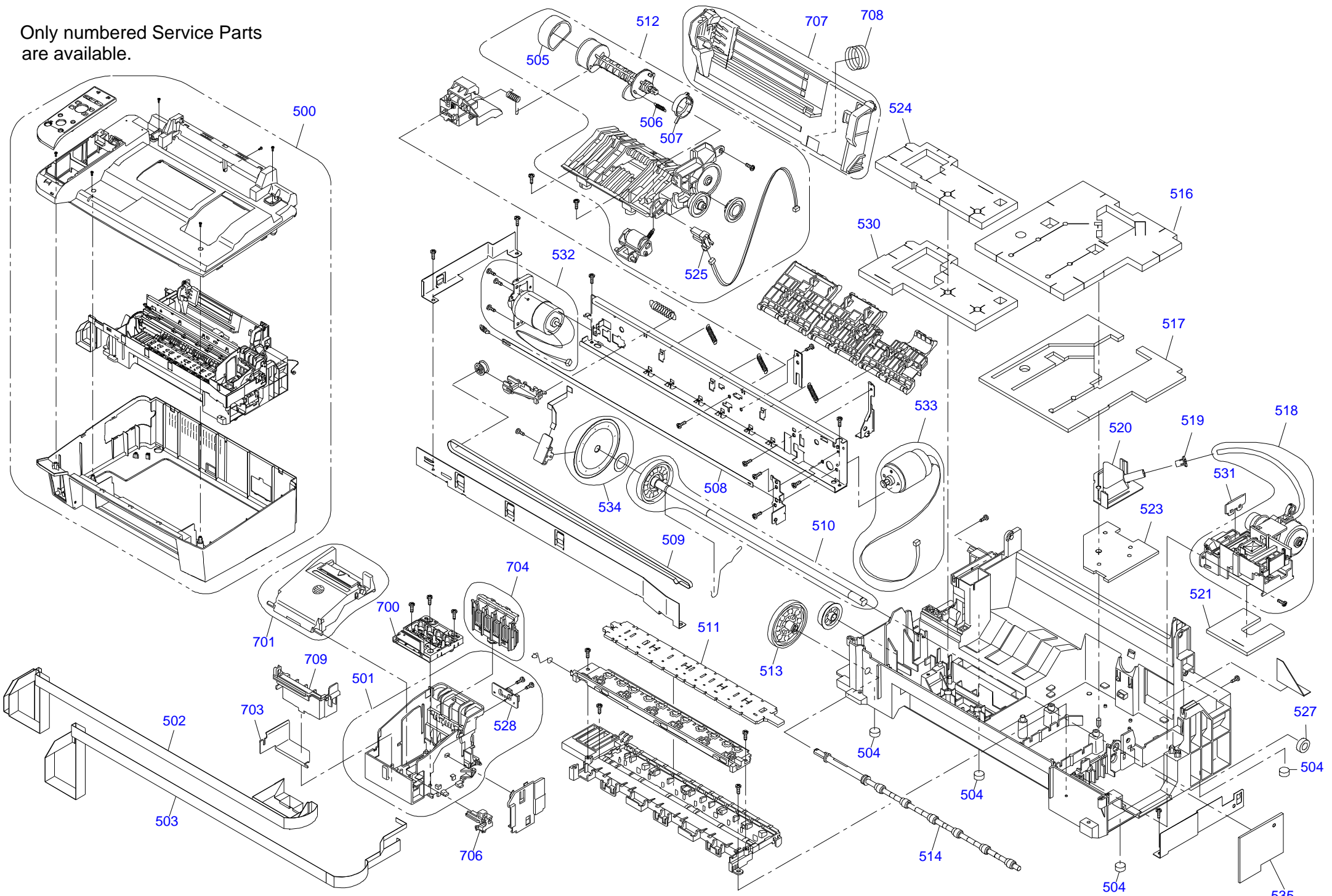
Only numbered Service Parts
are available.



Only numbered Service Parts
are available.



Only numbered Service Parts are available.



| Part Code | Part Name | Ref No. | Category | Qty | Remark |
|-------------------------|---|-------------------------|------------------|-----|--------|
| 2107706 | POWER CABLE | 400 | Accessories | 1 | |
| 1471120 | INK CART.UNBOXED,BK-SS,PIG'T;H28F,EC,AS | NON FIG | Accessories | 1 | |
| 1471121 | INK CART.UNBOXED,C-SSS,PIG'T;H28F,EC,AS | NON FIG | Accessories | 1 | |
| 1471122 | INK CART.UNBOXED,M-SSS,PIG'T;H28F,EC,AS | NON FIG | Accessories | 1 | |
| 1471124 | INK CART.UNBOXED,Y-SSS,PIG'T;H28F,EC,AS | NON FIG | Accessories | 1 | |
| 3103284 | SOFTWARE CD,DOMESTIC | NON FIG | Accessories | 1 | |
| 4113858 | SETTING UP MANUAL | NON FIG | Accessories | 1 | |
| 4113861 | USER'S GUIDE | NON FIG | Accessories | 1 | |
| 4113862 | USER'S GUIDE | NON FIG | Accessories | 1 | |
| 1487625 | PAPER SUPPORT ASSY.;IEI | 100 | Case | 1 | |
| 1460734 | HOUSING,LOWER | 101 | Case | 1 | |
| 1487630 | STACKER;C ASSY.;IEI | 102 | Case | 1 | |
| 1497274 | HOUSING,UPPER;D | 103 | Case | 1 | |
| 1460738 | COVER,USB | 105 | Case | 1 | |
| 1460736 | COVER,INKTUBE | 106 | Case | 1 | |
| 1467706 | HINGE,ASSEMBLY | 107 | Case | 1 | |
| 1491833 | SHEET,PANEL;D | 108 | Case | 1 | |
| 1460743 | HOUSING,PANEL | 109 | Case | 1 | |
| 2116336 | HARNESS | 110 | Case | 1 | |
| 1487974 | LCD;C ASSY.;IEI | 111 | Case | 1 | |
| 1460756 | BUTTON,SW,POWER | 112 | Case | 1 | |
| 1460749 | BUTTON,SW,PANEL | 113 | Case | 1 | |
| 1460761 | BUTTON,SW,MODE | 114 | Case | 1 | |
| 1460762 | BUTTON,SW,START | 115 | Case | 1 | |
| 1460759 | BUTTON,SW,OK | 116 | Case | 1 | |
| 1460763 | BUTTON,SW,STOP | 117 | Case | 1 | |
| 1460767 | COVER,LCD | 118 | Case | 1 | |
| 2116335 | HARNESS | 203 | Case | 1 | |
| 1464551 | LABEL,POSITION,CARTRIDGE | 702 | Case | 1 | |
| 1461678 | HOUSING,FRONT,SC | 809 | Case | 1 | |
| 2122711 | SCANNER UNIT,ASP | 813 | Case | 1 | |
| 1493392 | COVER,DOCUMENT ASSY.;D;SC;IEI | 816 | Case | 1 | |
| 1490509 | COVER,ASF;B | 817 | Case | 1 | |
| 2120934 | BOARD ASSY.,MAIN | 200 | Electronic Parts | 1 | |
| 2116183 | BOARD ASSY.,PANEL | 201 | Electronic Parts | 1 | |
| 1460774 | GROUNDING PLATE,PANEL | 202 | Electronic Parts | 1 | |
| 2122598 | PRINTER MECHANISM (ASP) | 500 | Mechanism Parts | 1 | |
| 1475097 | SUB CR ASSY.;IEI | 501 | Mechanism Parts | 1 | |
| 2115990 | CABLE,HEAD | 502 | Mechanism Parts | 1 | |
| 2115992 | CABLE,HEAD;B | 503 | Mechanism Parts | 1 | |
| 1217084 | FOOT | 504 | Mechanism Parts | 4 | |
| 1075955 | ROLLER,LD;B | 505 | Mechanism Parts | 1 | |
| 1052673 | EXTENSION SPRING,0.143 | 506 | Mechanism Parts | 1 | |
| 1459833 | CLUTCH | 507 | Mechanism Parts | 1 | |
| 1279691 | SCALE,CR | 508 | Mechanism Parts | 1 | |
| 1459802 | TIMING BELT,CR | 509 | Mechanism Parts | 1 | |
| 1466016 | ROLLER,PF ASSY.;IEI | 510 | Mechanism Parts | 1 | |
| 1476501 | POROUS PAD,PAPER GUIDE,FRONT;ASP | 511 | Mechanism Parts | 1 | |

| | | | | |
|-------------------------|-------------------------------|---------------------|-----------------|---|
| 1487504 | ASF UNIT.;IEI | 512 | Mechanism Parts | 1 |
| 1459817 | SPUR GEAR,51.5 | 513 | Mechanism Parts | 1 |
| 1486767 | ROLLER,EJECT;B | 514 | Mechanism Parts | 1 |
| 1491008 | POROUS PAD,INK EJ,MIDDLE;E | 516 | Mechanism Parts | 1 |
| 1491009 | POROUS PAD,INK EJ,LOWER;E | 517 | Mechanism Parts | 1 |
| 1487494 | INK SYSTEM ASSY.;IEI | 518 | Mechanism Parts | 1 |
| 1459875 | STOPPER,TUBE | 519 | Mechanism Parts | 1 |
| 1459873 | COVER,INK EJ | 520 | Mechanism Parts | 1 |
| 1470961 | POROUS PAD,CAP,LOWER;B | 521 | Mechanism Parts | 1 |
| 1473327 | DIFFUSION SHEET,INK EJECT;ASP | 523 | Mechanism Parts | 1 |
| 1484639 | POROUS PAD,INK EJ,FB,UPPER;C | 524 | Mechanism Parts | 1 |
| 1436876 | SPUR GEAR,13.5 | 527 | Mechanism Parts | 1 |
| 2116014 | BOARD ASSY.,ENCODER | 528 | Mechanism Parts | 1 |
| 1484641 | POROUS PAD,INK EJ,FB,LOWER;C | 530 | Mechanism Parts | 1 |
| 1477298 | CLEANER,HEAD;ASP | 531 | Mechanism Parts | 1 |
| 2122095 | MOTOR,ASSY,PF | 532 | Mechanism Parts | 1 |
| 2116012 | MOTOR ASSY,CR | 533 | Mechanism Parts | 1 |
| 1471717 | SCALE,PF ASSY.;IEI | 534 | Mechanism Parts | 1 |
| 1476056 | POROUS PAD,FRAME,RIGHT | 535 | Mechanism Parts | 1 |
| F182000 | PRINT HEAD | 700 | Mechanism Parts | 1 |
| 1466189 | COVER,CARTRIDGE ASSY.;IEI | 701 | Mechanism Parts | 1 |
| 1459776 | COVER,CABLE,HEAD,INNER | 703 | Mechanism Parts | 1 |
| 1485993 | HOLDER,BOARD ASSY.;IEI | 704 | Mechanism Parts | 1 |
| 1430589 | HINGE,COVER,CARTRIDGE | 706 | Mechanism Parts | 1 |
| 1480769 | HOPPER ASSY.;IEI | 707 | Mechanism Parts | 1 |
| 1495647 | COMPRESSION SPRING,3.43 | 708 | Mechanism Parts | 1 |
| 1459778 | GUIDE,I/C;F | 709 | Mechanism Parts | 1 |
| 1466207 | POWER SUPPLY UNIT;200V;IEI | 300 | Power Supply | 1 |

| Part Code | Part Name | Ref No. | Category | Qty | Remark |
|-----------|-----------|---------|----------|-----|--------|
|-----------|-----------|---------|----------|-----|--------|