

EPSON STYLUS PHOTO 2000P

Important items in bold type

Page 1

REF	PART NO	DESCRIPTION	SPEC.	QTY
100	1054433	HOUSING;B		1
101	1053994	COVER, PRINTER		1
102	1054449	PAPER SUPPORT ASSY.;B		1
103	1054443	STACKER ASSY.;B		1
104	1054444	PANEL ASSY.;B		1
105	1049418	SHIELD PLATE, PANEL		1
106	1054445	PANEL ASSY., LEFT ;B		1
108	1030669	GROUNDING PLATE		3
109	1030609	COVER, SHIELD PLATE, M/B, RIGHT		1
110	1053995	COVER, SUPPORT		1
111	1030608	COVER, CABLE		1
112	1043515	COVER, INLET, UPPER;D		1
113	1043516	COVER, INLET, LOWER;D		1
114	1049420	SHIELD PLATE, M/B		1
115	1056022	LOGO PLATE, 10X40		1
116	1054434	HOUSING, SUPPORT, RIGHT;B		1
117	1054435	HOUSING, SUPPORT, LEFT;B		1
119	1047689	FOOT		4
120	1053996	COVER, SUPPORT, LOWER		1
121	B010103311	C.P.SCREW	M3X6	3
122	B300204211	C.B.S. SCREW	M3X6	24
123	1032538	C.B.(O) SCREW, 4X5, F/ZG		1
124	B300204411	C.B.S. SCREW	M3X10	4
125	1005019	C.B.P-TITE SCREW, 3X8, F/ZN	M3X8 F/ZN	7
126	B300204311	C.B.S. SCREW	M3X8	4
131	1040616	COVER, CABLE;B		1
132	1049415	BUTTON, PS		1
133	1050113	BUTTON, CSIC		1
134	1052100	TUBE, LENS		1
180	1056628	LABEL, CAUTION;B		1
182	1056470	LABEL, ACCESSORY;C		1
183	1056855	LABEL, MODEL NAME		1
186	1056629	LABEL, PAPER SET		1
200	2032851	BOARD ASSY., MAIN		1
300	2032165	BOARD ASSY., POWER SUPPLY	5575A,STANDARD	1
330	2032537	WIRE HARNESS		1
400	2006741	POWER CABLE, BS31303SA-SR-10A	240V	1
401	2018028	HARNESS	220V/230V/240V	1
450	2032535	BOARD ASSY., PANEL	5591A,STANDARD(C296/C304)	1
500	2035445	PRINTER MECHANISM(ASP), M4W60-100		1
501	1053413	FRAME ASSY., LEFT;B		1
502	2033349	MOTOR ASSY., PF	15.9W,DC	1
503	1049386	GROUNDING PLATE, PAPER GUIDE, FRONT		1
504	1048835	COMBINATION GEAR, 12, 22.4		1
505	1049372	FRAME, RIGHT, FRONT		1
506	1049365	FRAME, UPPER		1
507	2033350	MOTOR ASSY., CR	14.7W,DC	1
508	1048750	PUMP ASSY.		1
509	1054428	CAP ASSY.		1
510	1049368	FRAME, LOWER		1
511	1050768	SHEET, PROTECTION, INK		1
512	1049367	FRAME, FRONT		1
513	1030392	BUSHING, PARALLELISM ADJUST, LEFT		1
514	1030393	BUSHING, PARALLELISM ADJUST, RIGHT		1
515	1042304	PAPER GUIDE, REAR		1
516	1049385	ROLLER, PF		1
517	1037092	COMPRESSION SPRING, 5.86		1
518	1037093	BUSHING, 12, LEFT		1
519	1048804	TENSION BELT, PUMP TRANSMISSION		1
520	1048834	SPUR GEAR, 15.2		1
521	1030975	SPACER, C-RING		1
522	1032301	SCALLOP SPRING PIN-AW, 2X16, F/B		1
523	1038157	SLEEVE, ROLLER, PF		1
524	1048928	SPUR GEAR, 76		1
525	1037094	SPACER, FASTEN, ROLLER, PF		1
526	1037095	SPACER, FASTEN, ROLLER, PF;B		1
527	1031164	C-RING		1

EPSON STYLUS PHOTO 2000P

Page 2

REF	PART NO	DESCRIPTION	SPEC.	QTY
528	1038159	PLAIN WASHER, 12.2X0.5X17		2
529	1049401	ROLLER ASSY., EJECT		1
530	1048829	BUSHING, 6		2
531	B150300711	RETAINING RING	TYPE-E(4)	4
532	1048929	SPUR GEAR, 28		1
533	1030403	BUSHING, 12, RIGHT		1
534	1030971	PLAIN WASHER, 4.1X0.5X6.5		2
535	1049400	PAPER GUIDE ASSY., FRONT		1
536	1042582	GROUNDING WIRE, EJ		1
537	1048885	GROUNDING SPRING, PF		1
538	1055703	FRAME, PAPER EJECT;B		1
539	1054706	HOLDER, STAR WHEEL, RIGHT		1
540	1054707	HOLDER, STAR WHEEL, LEFT		1
541	1054705	HOLDER, STAR WHEEL, FRONT		4
542	1054709	WHEEL ASSY., PAPER EJECT		34
544	1055160	ROD SPRING, STAR WHEEL;B		24
545	1030408	PAPER GUIDE, UPPER		8
546	1051145	ROLLER, DRIVEN		4
547	1032646	PAPER GUIDE, RIGHT		1
548	1030968	SHAFT, PAPER GUIDE, UPPER		9
549	1030969	SHAFT, ROLLER, DRIVEN		11
550	1038961	ROLLER, DRIVEN;D		18
551	1030956	TORSION SPRING, 117.6		9
552	2022329	CIRCUIT ASSY, PE		1
553	1049391	HOLDER, PE		1
554	1049390	LEVER, PE		1
555	1030958	TORSION SPRING, 0.22		1
556	1048816	LEVER, CR, LOCK		1
557	1049370	GUIDE PLATE, CR		1
558	1042313	SHEET, CABLE		1
559	1050769	SCREW, MOUNT, PF		1
560	1050306	CARRIAGE ASSY.		1
561	1030380	LEVER, ADJUST		1
562	1053903	GROUNDING PLATE, HEAD;B		1
563	1049380	OIL PAD		1
564	1030387	SLIDER, CR		1
565	1049378	TIMING BELT		1
566	1056226	SHAFT, CR, GUIDE;B		1
567	1050345	PULLEY, DRIVEN		1
568	1048810	HOLDER, PULLEY, DRIVEN		1
569	1049695	COMPRESSION SPRING, 23.52		1
570	1044480	LEVER, PG		1
571	1030395	LEVER, PG, SUPPORT		1
572	1048889	TORSION SPRING, 63.7		1
573	1049384	HOLDER, PAPER, SUPPORT, UPPER		1
574	1048930	COMBINATION GEAR, 13.5, 30		1
575	1050346	BUSHING, PULLEY, DRIVEN		2
576	1034669	POROUS PAD, SLIDER, CAP		1
577	1050347	SHAFT, PULLEY, DRIVEN		1
578	1048907	EXTENSION SPRING, 0.618		1
579	1048833	LEVER, PLAINT		1
580	2022330	HARNESS, PE		1
582	1048721	SHAFT, SPUR GEAR, PLAINT		1
583	1045593	PAPER SUPPORT, UPPER, LEFT		1
584	1037724	PAPER SUPPORT, UPPER		1
585	1048912	U-TYPE SPRING, 5.2X0.13X10, S/NA		1
586	1048836	COMBINATION GEAR, 14, 28		1
587	B300204211	C.B.S. SCREW	M3X6	32
588	B010103311	C.P.SCREW	M3X6	2
589	B101254590	LEAF SPRING	6.2X0.15X11	1
590	1017597	PLAIN WASHER, 3.3X0.5X8, F/UC		1
591	1043627	C.B.P-TITE, 2.5X5, F/ZN		1
592	1048909	PLAIN WASHER, 6.2*0.2*9, L/NA		1
593	1048890	PLAIN WASHER, 5.1X0.7X11, S/NA		1
594	1048893	PLAIN WASHER, 10.7X0.5X15.5, L/NA		1
598	1036849	EXTENSION SPRING, 0.29		1
599	1049373	FRAME, MIDDLE		1

EPSON STYLUS PHOTO 2000P

Page 3

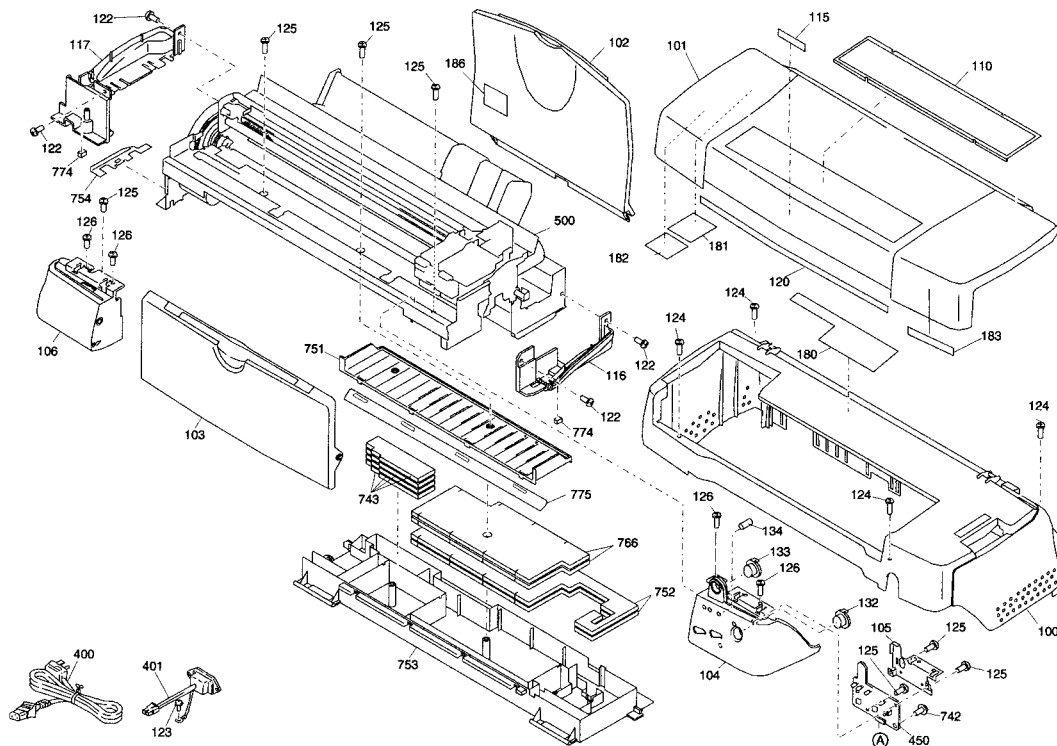
REF	PART NO	DESCRIPTION	SPEC.	QTY
603	1048913	TAPE, D50		1
604	1048918	BOARD ASSY., ENCODER		2
605	2032470	SCALE, CR		1
606	1048922	SCALE, PF		1
607	1048898	MOUNTING PLATE, SCALE		1
608	2032471	FFC, ENCODER		1
609	1048888	EXTENSION SPRING, 1.494		1
610	1049348	MINI CLAMP, UAMS-05SN		3
611	1048957	SCALLOP SPRING PIN-AW, 2X10, F/B		1
612	1005019	C.B.P-TITE SCREW, 3X8, F/ZN	M3X8 F/ZN	3
613	1048822	MOUNTING PLATE, BOARD ASSY.		1
614	1048875	FRAME, RIGHT, REAR		1
615	1049546	PLATE, SLIDER, CLEANER		1
616	1048908	EXTENSION SPRING, 7.37		1
618	1048910	LEVER ASSEMBLY, COMBINATION GEAR		1
619	1050767	SET RING, D8.8		2
620	2032192	MOTOR ASSY, ASF		1
621	B100165911	P.W., 3.1X0.5X12, F/ZN		1
622	B150300611	RETAINING RING	TYPE-E(3)	1
623	1048839	COMBINATION GEAR, 17.19, 25.6		1
624	1048840	COMBINATION GEAR, 12, 22.92		1
625	1048842	LEVER, DE, LOCK		1
626	1048832	MOUNTING PLATE, MOTOR, ASF		1
627	1048906	COMPRESSION SPRING, 3.944		1
628	1050765	FERRULE, D3.6		2
629	1032300	C.P.S-TITE(P4), 3X6, F/ZN		2
630	1038484	PLAIN WASHER, 4.5X0.5X8, L/NA		1
632	1054708	HOLDER, STAR WHEEL, SUPPORT		1
633	1049392	BUSH, ROLLER PF, SUPPORT		1
634	1049393	LEVER, ROLLER PF, SUPPORT		1
635	1049394	MNTNG. PLATE, LEVER, ROLLER PF, SUPPORT		1
636	1049395	EXTENSION SPRING, 10.1		1
637	1050505	SHEET, INK STOPPER		1
638	1051412	HOLDER, ROLLER PF, SUPPORT		1
640	B150300911	RETAINING RING	TYPE-E(6)	3
641	1051049	POROUS PAD, PAPER GUIDE FRONT		2
642	1051051	POROUS PAD, PG. FRONT, RIGHT		1
643	1055671	POROUS PAD, PG FRONT, LEFT MIDDLE		3
644	1050385	+, BIND B-TITE SEMS W2, 2.5X6, F/ZB		1
649	B040302511	CUP SCREW	M3X6 F/ZN	1
702	1050334	TORSION SPRING, 28.4		1
700	F075000	PRINT HEAD		1
701	1050333	FASTENER, HEAD		1
703	1024130	C.B.P-TITE SCREW, 3X6, F/ZN		8
704	2034693	CABLE, HEAD, C		1
705	1050331	HOLDER, CABLE		1
706	1054027	SPACER, CABLE HEAD		1
707	1054451	FRAME, ASF;B		1
708	1054452	HOPPER;D		1
709	1054368	EDGE GUIDE;C		1
710	1040606	CORK		1
711	1030429	SLIDER, EDGE GUIDE		1
712	1030960	COMPRESSION SPRING, 3.23		1
713	1033016	PAD, BRAKE, EDGE GUIDE		1
714	1053150	SUPPORT PLATE, HOPPER;B		1
715	1049381	SPUR GEAR, 32		1
716	1040661	PAD ASSY., RIGHT		1
717	1030450	LEVER, PAD, RELEASE, RIGHT		1
718	1030420	ROD SPRING, HOLDER, PAD		2
719	1040608	HOLDER, EDGE GUIDE, RIGHT		1
720	1036867	COMPRESSION SPRING, 1.17		2
721	1036874	EXTENSION SPRING, 0.62		2
722	1040595	LEVER, PAPER RETURN, RIGHT		1
723	1040646	EXTENSION SPRING, 0.294		2
724	1040596	ROLLER, LD, SUPPORT		2
725	1040648	HOLDER, ROLLER, LD, SUPPORT, RIGHT		1
726	1040660	PAD ASSY., LEFT		1

EPSON STYLUS PHOTO 2000P

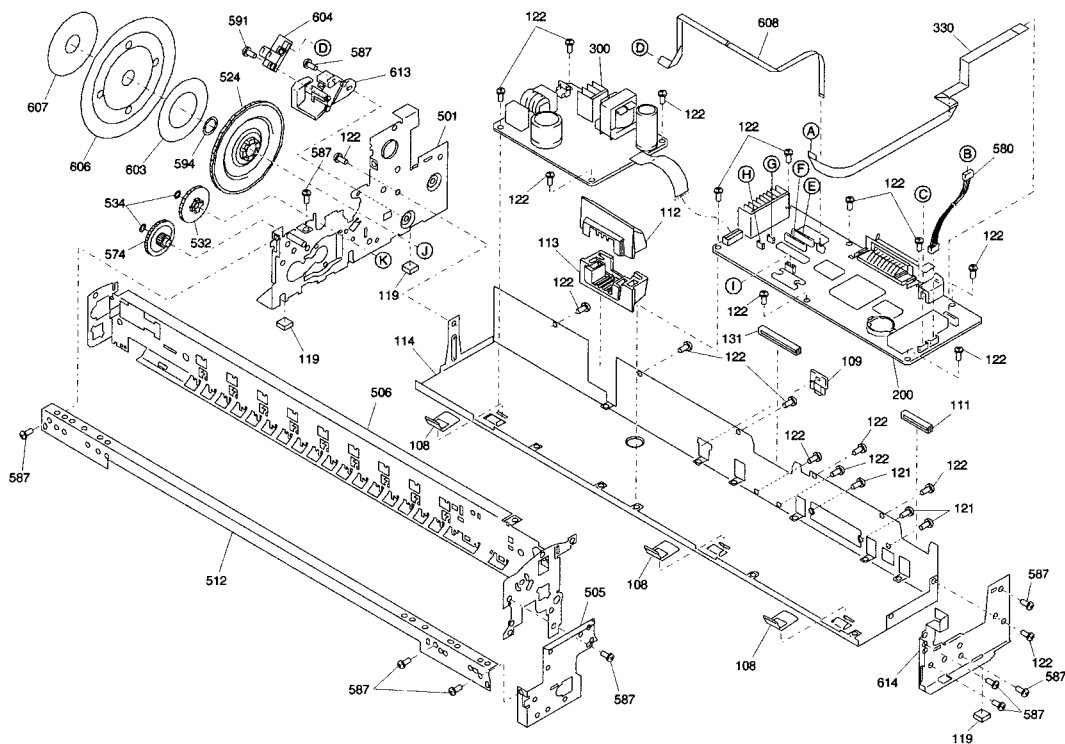
Page 4

REF	PART NO	DESCRIPTION	SPEC.	QTY
727	1030449	LEVER, PAD, RELEASE, LEFT		1
728	1040602	HOLDER, EDGE GUIDE, LEFT		1
729	1040594	LEVER, PAPER RETURN, LEFT		1
730	1040647	HOLDER, ROLLER, LD, SUPPORT, LEFT		1
731	1043034	ROLLER ASSY, LD, LEFT		1
732	1043035	ROLLER ASSY, LD, RIGHT		1
733	1040597	COVER, ROLLER, LD, LEFT		1
734	1040598	COVER, ROLLER, LD, RIGHT		1
735	1036868	COMPRESSION SPRING, 1.961		2
736	1038211	LEVER, FASTEN, EDGE GUIDE;B		2
737	1030959	EXTENSION SPRING, 0.088		2
738	1049382	SHAFT, ROLLER, LD		1
739	1042306	LEVER, HOPPER, RELEASE		2
740	1036870	WHEEL, DETECT		1
741	1036863	STRENGTHEN PLATE, FRAME, ASF		1
742	1035668	C.C.P-TITE SCREW, 3X8, F/ZN		1
743	1048802	POROUS PAD, FL		4
744	1051079	TAPE, 14X17		1
745	1040599	SHEET, PAPER FEED		2
746	1040600	HOLDER, SHEET, PAPER FEED		2
747	1005416	SHAFT, MOUNT, CR		1
748	1032300	C.P.S-TITE(P4), 3X6, F/ZN		1
749	2025477	HARNES, ASF		1
750	1036847	PAPER SUPPORT, HOPPER		1
751	1049389	PAPER GUIDE, LOWER		1
752	1048800	POROUS PAD, LARGE		2
753	1049374	TRAY, POROUS PAD		1
754	1048883	SPACER, TRAY		1
755	2033168	FERRITE CORE, FSOC240RX01		1
758	1036849	EXTENSION SPRING, 0.29		1
759	1050307	COVER, CARTRIDGE, BLACK		1
760	1050308	COVER, CARTRIDGE, COLOUR		1
761	1050337	PLATE SPRING COVER, CARTRIDGE		4
762	1050338	COVER, PLATE SPRING, CARTRIDGE		4
763	2032842	DETECTOR, HP;E	4V,50MA,100MW	1
764	1043828	CORK;B		1
765	1050580	CLEANER HEAD, ASP		1
766	1048801	POROUS PAD, SMALL		2
770	2032841	CABLE, HEAD, B		1
774	1053563	DAMPER, SUPPORT;B		2
775	1052324	SEAT, PAPER EJECT		1
780	1054749	ASF ASSY.;C		1
800	1054318	SHAFT ASSY., ROLL PAPER;B		1
801	1054317	FRAME, ROLL PAPER, FRONT;B		1
802	1054316	FRAME, ROLL PAPER, LEFT;B		1
803	1054315	FRAME, ROLL PAPER, RIGHT;B		1
804	B310204311	C.B.B. SCREW	M3X8	2
805	1052356	SHEET, ROLL PAPER		1
806	1053906	SPACER		2
1	5010175	INDIVIDUAL BOX - EUROPE		1
3	5010165	PAD, SET, PRINTER		1
4	5010170	PAD, ACCESSORY		1
5	5008148	PLASTIC SHEET		1
6	5008279	PLASTIC SHEET, 320X135X0.06T		1
8	5010293	PLASTIC BAG, 160X530X0.06T		1
N/A	1054650	INK CARTRIDGE, BLACK , AS		1
N/A	1054667	INK CARTRIDGE, COLOUR AS		1
N/A	1055984	SPECIAL COATED PAPER, 009		1
N/A	3003198	SOFTWARE CD-ROM, E		1
N/A	4004493	ENVELOPE, SET, EUL;B		1
N/A	4011643	SUPPLEMENT		1
N/A	4011732	USER'S GUIDE		1
N/A	4012155	UNPACKING SHEET		1
N/A	4012156	SETTING UP MANUAL		1
N/A	4012157	USER'S GUIDE		1
END				

EPSON STYLUS PHOTO 2000P



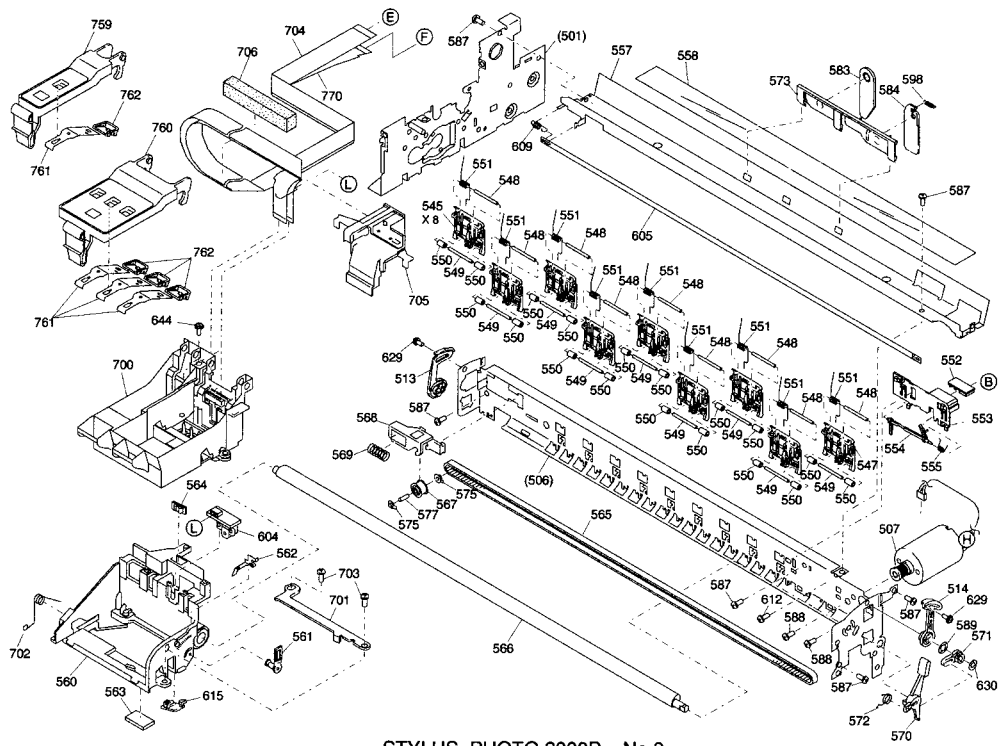
STYLUS PHOTO 2000P No.1



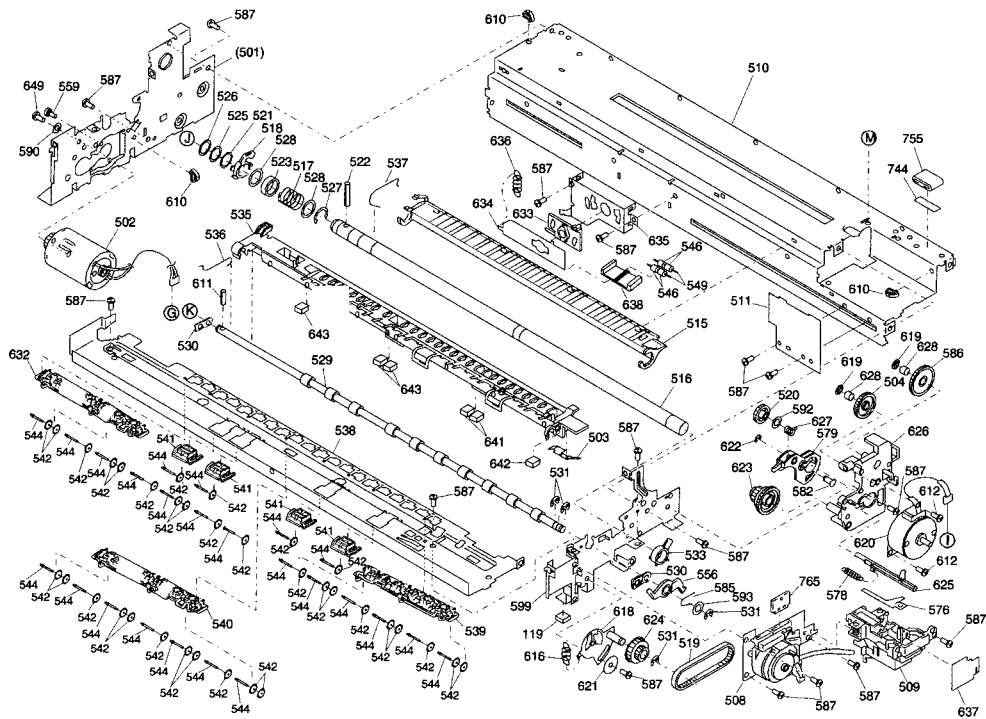
STYLUS PHOTO 2000P No.2

EPSON STYLUS PHOTO 2000P

Page 6

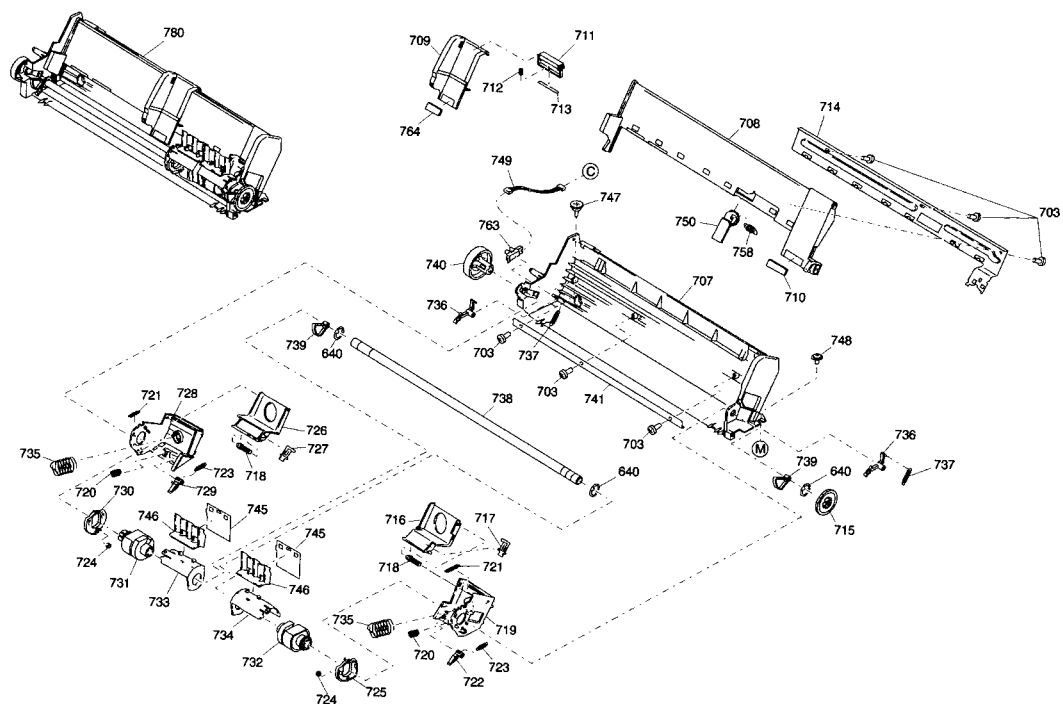


STYLUS PHOTO 2000P No.3

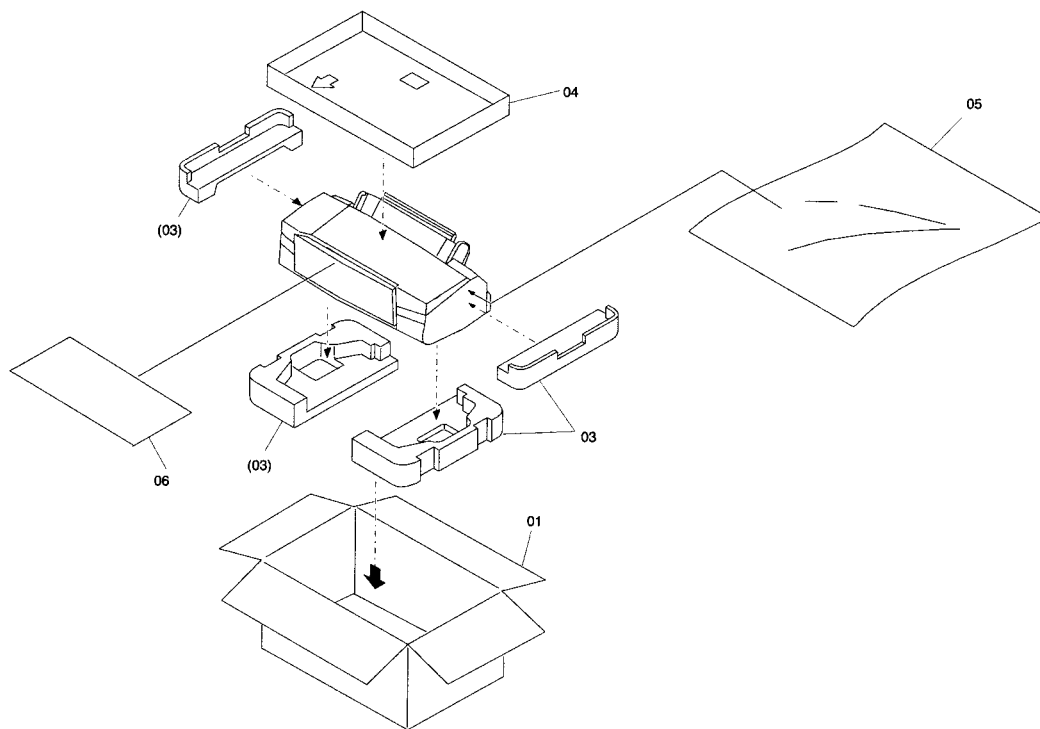


STYLUS PHOTO 2000P No.4

EPSON STYLUS PHOTO 2000P



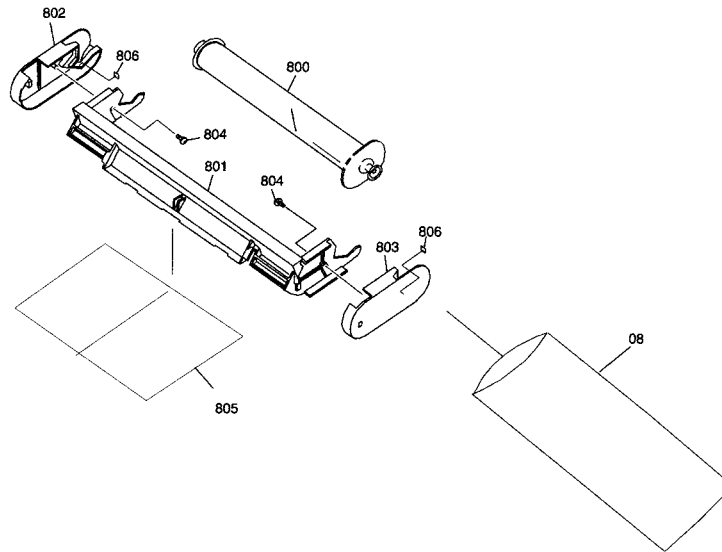
STYLUS PHOTO 2000P No.5



STYLUS PHOTO 2000P No.6

EPSON STYLUS PHOTO 2000P

Page 8



STYLUS PHOTO 2000P No.7 Rev. 01 10206

