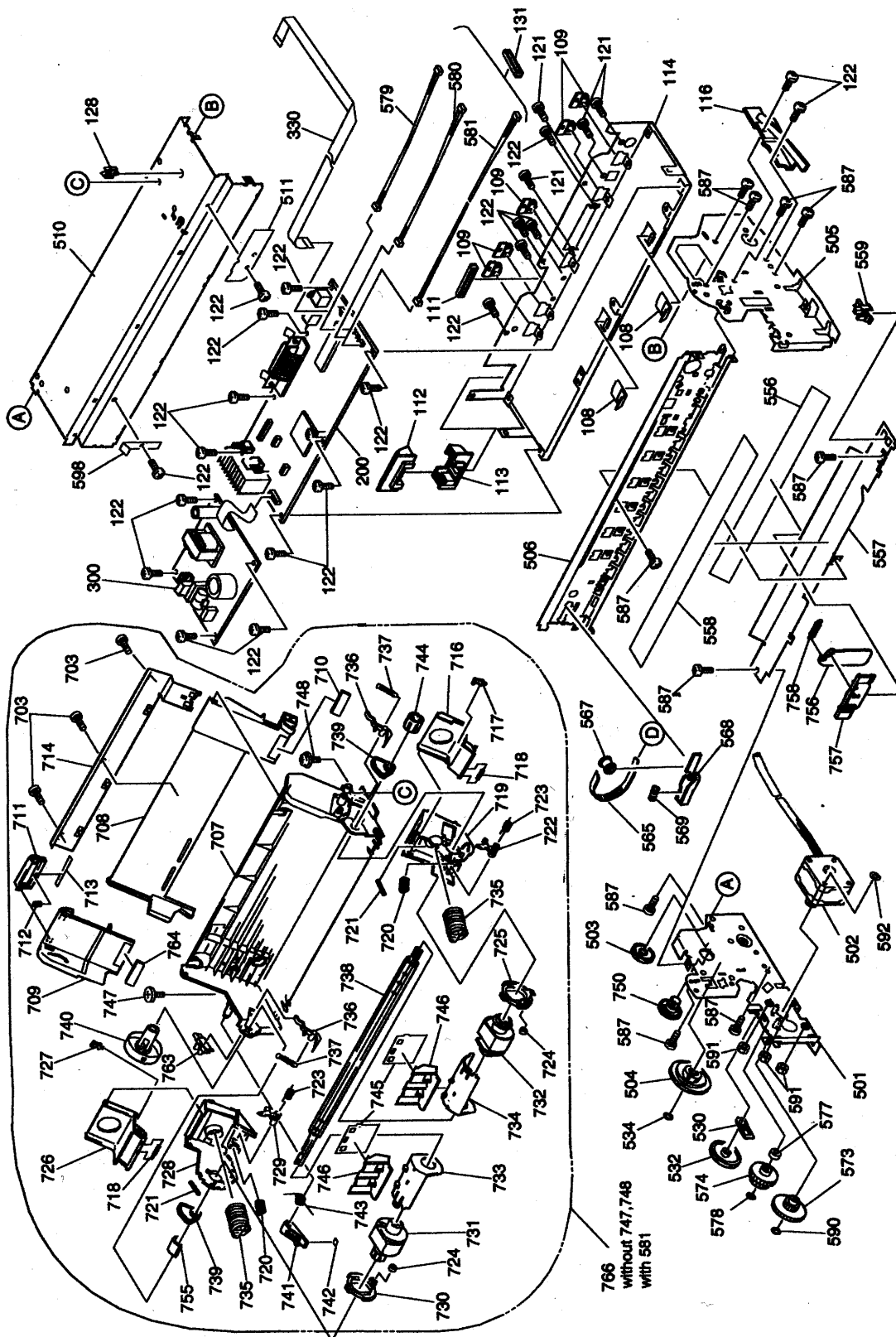


(3/3) REV. 01

EXPLODED DIAGRAM FOR EPSON STYLUS PHOTO 750

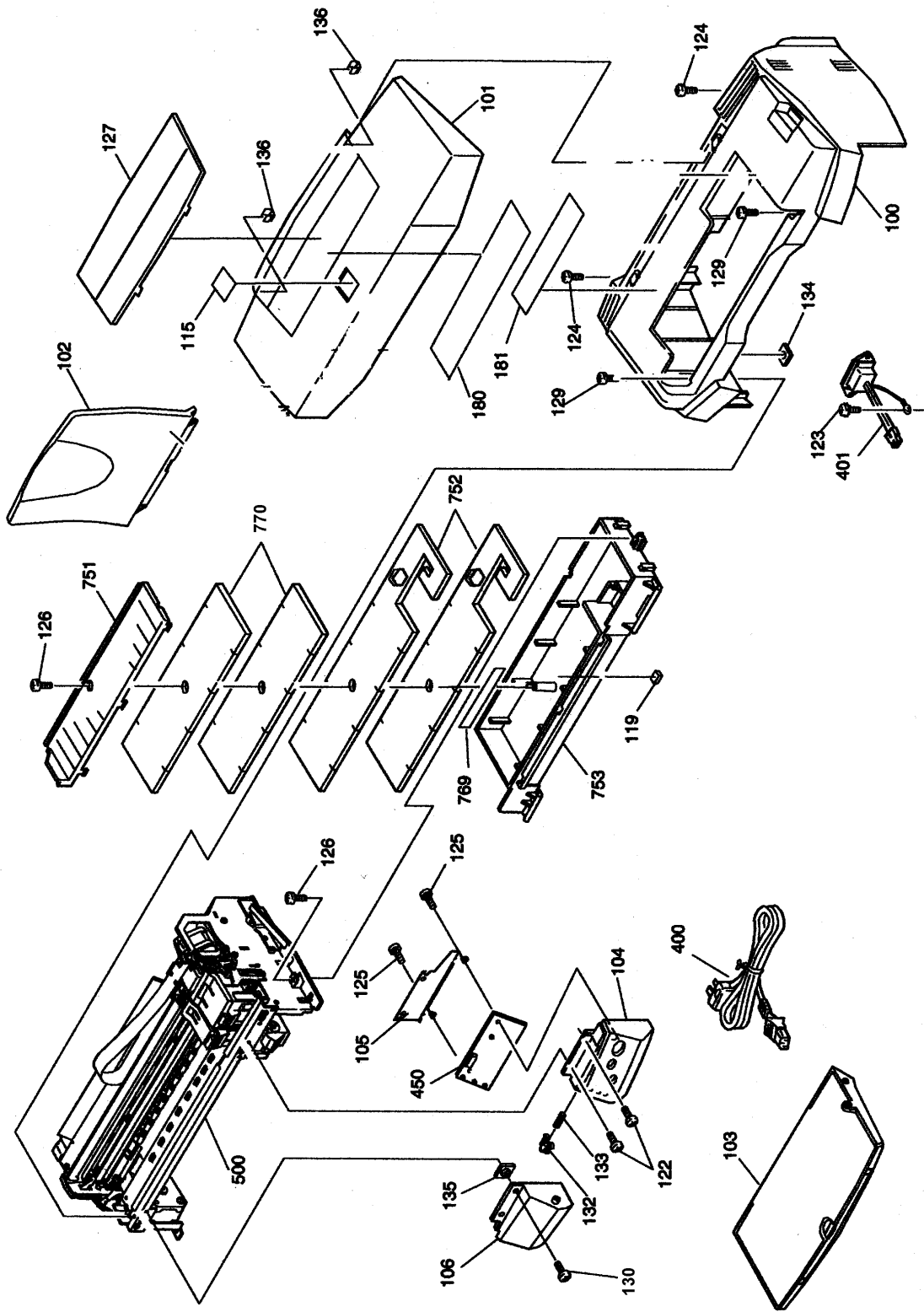
# EPSON STYLUS PHOTO 750

Page 8



(2/3) REV.01

EXPLODED DIAGRAM FOR EPSON STYLUS PHOTO 750



(1/3) REV.01

EXPLODED DIAGRAM FOR EPSON STYLUS PHOTO 750

# EPSON STYLUS PHOTO 750

Page 6

REF	PART NO.	DESCRIPTION	SPECIFICATION	QTY
741	1030951	LEVER , BRAKE		1
742	1030970	PAD, BRAKE		1
743	1030966	TORSION SPRING, 41.2		1
744	1030456	BUSHING, FASTEN, SHAFT		1
745	1040599	SHEET, PAPER FEED		2
746	1040600	HOLDER, SHEET, PAPER FEED		2
747	1005416	SHAFT, MOUNT, CR		1
748	1032300	C.P.S-TITE(P4), 3X6, F/ZN		1
750	1040588	SPUR GEAR, 34		1
751	1030419	PAPER GUIDE, LOWER		1
752	1030372	POROUS PAD, INK EJECT, LARGE		2
753	1030374	TRAY, POROUS PAD		1
754	1040873	SPACER, TRAY		1
755	1031178	BUSHING, FASTEN, SHAFT, LEFT		1
756	1037724	PAPER SUPPORT, UPPER		1
757	1042947	HOLDER, PR SUPPORT UPPER		1
758	1036849	EXTENSION SPRING, 0.29		1
759	1037575	COVER CARTRIDGE, BLACK		1
760	1044641	COVER, CARTRIDGE, COLOUR;B		1
761	1030378	SEPARATOR, CARTRIDGE, BLACK		1
762	1032254	SEPARATOR, CARTRIDGE, COLOUR.		1
763	2021854	DETECTOR, HP	4V,50MA,100MW,	1
764	1043828	CORK;B		1
765	1034969	CLEANER, HEAD, ASP		1
766	1044017	ASF UNIT, ASP		1
767	1024892	C.P.B.(O) SCREW, 1.7X5, F/ZN		1
768	1042029	BUSHING, HOLDER, DETECTOR, I/C		1
769	1044755	SPACER, TRAY, POROUS PAD		1
N/A	1030373	POROUS PAD, INK EJECT, SMALL		2
N/A	1017039	LABEL, EARTH		1
N/A	1041471	INK CARTRIDGE, BLK, AS		1
N/A	1041474	INK CARTRIDGE, COL, AS		1
N/A	1043734	SPECIAL COATED PAPER, U,		1
N/A	3002430	UTILITY, CD-ROM		1
N/A	4004493	ENVELOPE, SET, EUL;B		1
N/A	4007894	SUPPLEMENT EUL		1
N/A	4009150	LICENCE AGREEMENT		1
N/A	4009522	USER'S GUIDE		1
N/A	4009524	USER'S GUIDE		1
N/A	4009525	CD-ROM GUIDANCE		1
END				

# EPSON STYLUS PHOTO 750

REF	PART NO.	DESCRIPTION	SPECIFICATION	QTY
580	2028815	HARNESS, PE		1
581	2028817	HARNESS, ASF		1
587	B300204211	C.B.S. SCREW	M3X6	18
588	1032300	C.P.S-TITE(P4), 3X6, F/ZN		2
589	B101254590	LEAF SPRING	6.2X0.15X11	1
590	1042515	PLAIN WASHER, 6.1X0.5X9.0		1
591	1024505	HEXAGON NUT, NORMAL, M3		3
592	B100151112	PLAIN WASHER	3X0.3X7	1
595	1040640	HOLDER, DETECTOR, I/C		1
596	1040641	LEVER, DETECTOR, I/C, BK		1
597	1040642	LEVER, DETECTOR, I/C, CL		1
598	1042341	GROUNDING PLATE, ROLLER, PF		1
600	1042687	TORSION SPRING, 1.08		2
601	2027719	DETECTOR, I/C		1
602	2028833	HARNESS, I/C		1
700	F066000	PRINT HEAD, IJ288-0B0	288 KIT F066000-C	1
701	1032255	FASTENER, HEAD		1
702	1030954	TORSION SPRING, 49		1
703	1024130	C.B.P-TITE SCREW, 3X6, F/ZN		3
704	2030694	CABLE, HEAD		1
705	1040580	HOLDER, CABLE		1
706	1033220	SPACER, CABLE HEAD		1
707	1038244	FRAME, ASF;B		1
708	1040589	HOPPER		1
709	1040590	EDGE GUIDE		1
710	1040606	CORK		1
711	1030429	SLIDER, EDGE GUIDE		1
712	1030960	COMPRESSION SPRING, 3.23		1
713	1033016	PAD, BRAKE, EDGE GUIDE		1
714	1040645	REINFORCEMENT PLATE, HOPPER		1
716	1040661	PAD ASSY., RIGHT		1
717	1030450	LEVER, PAD, RELEASE, RIGHT		1
718	1030420	ROD SPRING, HOLDER, PAD		2
719	1040608	HOLDER, EDGE GUIDE, RIGHT		1
720	1036867	COMPRESSION SPRING, 1.17		2
721	1036874	EXTENSION SPRING, 0.62		2
722	1040595	LEVER, PAPER RETURN, RIGHT		1
723	1040646	EXTENSION SPRING, 0.294		2
724	1040596	ROLLER, LD, SUPPORT		2
725	1040648	HOLDER, ROLLER, LD, SUPPORT, RIGHT		1
726	1040660	PAD ASSY., LEFT		1
727	1030449	LEVER, PAD, RELEASE, LEFT		1
728	1040602	HOLDER, EDGE GUIDE, LEFT		1
729	1040594	LEVER, PAPER RETURN, LEFT		1
730	1040647	HOLDER, ROLLER, LD, SUPPORT, LEFT		1
731	1040658	ROLLER ASSY., LD, LEFT		1
732	1040659	ROLLER ASSY., LD, RIGHT		1
733	1040597	COVER, ROLLER, LD, LEFT		1
734	1040598	COVER, ROLLER, LD, RIGHT		1
735	1036868	COMPRESSION SPRING, 1.961		2
736	1038211	LEVER, FASTEN, EDGE GUIDE;B		2
737	1030959	EXTENSION SPRING, 0.088		2
738	1040601	SHAFT, ROLLER, LD		1
739	1042067	LEVER, HOPPER, RELEASE		2
740	1040607	WHEEL, DETECT		1

# EPSON STYLUS PHOTO 750

Page 4

REF	PART NO.	DESCRIPTION	SPECIFICATION	QTY
525	1037094	SPACER, FASTEN, ROLLER, PF		1
526	1037095	SPACER, FASTEN, ROLLER, PF;B		1
527	1031164	C-RING		3
528	1030967	PLAIN WASHER, 12.2X0.5X15		2
529	1040586	ROLLER, ASSY., PAPER EJECT		1
530	1030422	BUSHING, 6		2
531	B150300711	RETAINING RING	TYPE-E(4)	1
532	1042516	SPUR GEAR, 36		1
533	1040576	SPUR GEAR, 11		1
534	1030971	PLAIN WASHER, 4.1X0.5X6.5		2
535	1040585	PAPER GUIDE, FRONT		1
536	1042582	GROUNDING WIRE, EJ		1
537	1042649	GUIDE, PAPER EJ		1
538	1040574	FRAME, PAPER EJECT		1
539	1042338	HOLDER, STAR WHEEL, RIGHT		1
540	1042339	HOLDER, STAR WHEEL, LEFT		1
541	1032723	HOLDER, STAR WHEEL, FRONT		1
542	1030415	STAR WHEEL ASSY., 8 (NATURAL)		20
543	1033652	STAR WHEEL, 8;B		1
544	1032244	ROD SPRING, STAR WHEEL		14
545	1030408	PAPER GUIDE, UPPER		5
546	1032646	PAPER GUIDE, RIGHT		1
547	1030414	PAPER GUIDE, LEFT		1
548	1030968	SHAFT, PAPER GUIDE, UPPER		6
549	1030969	SHAFT, ROLLER, DRIVEN		6
550	1038961	ROLLER, DRIVEN;D		12
551	1030956	TORSION SPRING, 117.6		6
552	2022329	CIRCUIT ASSY, PE		1
553	1030411	HOLDER, PE		1
554	1030410	LEVER, PE		1
555	1030958	TORSION SPRING, 0.22		1
556	1042648	SHEET, GUIDE PLATE, CABLE		1
557	1040575	GUIDE PLATE, CABLE		1
558	1032719	SHEET, CABLE		1
559	2021854	DETECTOR, HP	4V,50MA,100MW,	1
560	1040822	CARTRIDGE ASSY.		1
561	1030380	LEVER, ADJUST		1
562	1040579	GROUNDING PLATE, HEAD		1
563	1030382	OIL PAD		1
564	1030387	SLIDER, CR		1
565	1044487	TIMING BELT		1
566	1030391	SHAFT, CR, GUIDE		1
567	1031313	PULLEY ASSY., DRIVEN		1
568	1041207	HOLDER, PULLEY, DRIVEN;B		1
569	1030955	COMPRESSION SPRING, 19.6		1
570	1037577	LEVER, PG		1
571	1030395	LEVER, PG, SUPPORT		1
572	1032240	TORSION SPRING, 63.7		1
573	1040587	COMBINATION GEAR, 12.4, 28		1
574	1040581	COMBINATION GEAR, 16, 21.6		1
576	1034669	POROUS PAD, SLIDER, CAP		1
577	1040644	BUSHING, FASTEN, COMBINATION GEAR		1
578	1023219	BUSHING NUT, 2		1
579	2028816	HARNESS, HP		1

REF	PART NO.	DESCRIPTION	SPECIFICATION	QTY
IC9	2027654	I/F IC		1
Q1	2008784	TRANSISTOR	-50V -150MA 150MW 70 400	1
Q2	2024208	TRANSISTOR	60V,5A,2W,0,0,	1
Q2	B010303311	C.B.SCREW	M3X6	1
Q3	2024209	TRANSISTOR	-60V,-5A,2W,0,0,	1
Q3	B010303311	C.B.SCREW	M3X6	1
Q4	2019965	TRANSISTOR	-50V,-100MA,200MW,0,0,	1
RM1	2021620	CHIP RESISTOR ARRAY	TP,33OHM,1/16W,+5%,	1
RM10	2021620	CHIP RESISTOR ARRAY	TP,33OHM,1/16W,+5%,	1
RM11	2021620	CHIP RESISTOR ARRAY	TP,33OHM,1/16W,+5%,	1
RM12	2021632	CHIP RESISTOR ARRAY	TP,33KOHM,1/16W,+5%,	1
RM13	2021620	CHIP RESISTOR ARRAY	TP,33OHM,1/16W,+5%,	1
RM14	2021620	CHIP RESISTOR ARRAY	TP,33OHM,1/16W,+5%,	1
RM15	2021620	CHIP RESISTOR ARRAY	TP,33OHM,1/16W,+5%,	1
RM16	2021624	CHIP RESISTOR ARRAY	TP,100OHM,1/16W,+5%,	1
RM17	2021624	CHIP RESISTOR ARRAY	TP,100OHM,1/16W,+5%,	1
RM18	2021621	CHIP RESISTOR ARRAY	TP,47OHM,1/16W,+5%,	1
RM2	2021620	CHIP RESISTOR ARRAY	TP,33OHM,1/16W,+5%,	1
RM3	2021620	CHIP RESISTOR ARRAY	TP,33OHM,1/16W,+5%,	1
RM4	2021620	CHIP RESISTOR ARRAY	TP,33OHM,1/16W,+5%,	1
RM5	2021620	CHIP RESISTOR ARRAY	TP,33OHM,1/16W,+5%,	1
RM6	2027804	CHIP RESISTOR		1
RM7	2021620	CHIP RESISTOR ARRAY	TP,33OHM,1/16W,+5%,	1
RM8	2021620	CHIP RESISTOR ARRAY	TP,33OHM,1/16W,+5%,	1
RM9	2021620	CHIP RESISTOR ARRAY	TP,33OHM,1/16W,+5%,	1
300	2027730	BOARD ASSY., POWER SUPPLY 240V		1
330	2027722	WIRE HARNESS		1
400	2006741	POWER CABLE, BS31303SA-SR-10A 240V		1
401	2018028	HARNESS 220/230/240V		1
450	2023320	BOARD ASSY., PANEL		1
500	2029919	PRINTER MECHANISM(ASP)M4M11-101		1
501	1040664	FRAME ASSY., LEFT		1
502	2027845	MOTOR ASSY., PF		1
503	1039368	SPUR GEAR, 23.2		1
504	1030453	COMBINATION GEAR, 16, 40.8		1
505	1030343	FRAME, RIGHT		1
506	1040571	FRAME, TOP		1
507	2028006	MOTOR ASSY., CR		1
508	1040515	PUMP ASSY.		1
509	1044904	CAP ASSY.,B		1
510	1040573	FRAME, BOTTOM		1
511	1032969	SHEET, PROTECTION, HEAD		1
512	1030344	FRAME, FRONT		1
513	1030392	BUSHING, PARALLELISM ADJUST, LEFT		1
514	1030393	BUSHING, PARALLELISM ADJUST, RIGHT		1
515	1030417	PAPER GUIDE, REAR		1
516	1040584	ROLLER, PF		1
517	1030957	COMPRESSION SPRING, 5.85		1
518	1037093	BUSHING, 12, LEFT		1
519	1030454	LEVER, CHANGE		1
520	1030452	SPUR GEAR, 26.4		1
521	1030975	SPACER, C-RING		2
522	1032301	SCALLOP SPRING PIN-AW, 2X16, F/B		1
523	1030965	COMPRESSION SPRING, 0.9		1
524	1040582	SPUR GEAR, 73.6		1

# EPSON STYLUS PHOTO 750

Page 2

REF	PART NO.	DESCRIPTION	SPECIFICATION	QTY
C8	2027810	ALUMINIUM ELECTROLYTIC CAPACITOR		1
C87	2027809	ALUMINIUM ELECTROLYTIC CAPACITOR		1
CM1	2027998	CAPACITOR NETWORK		1
CN1	2013284	CONNECTOR 57RE-40360-830B(D7B)	36,	1
CN10	2027959	CONNECTOR		1
CN11	2023034	CONNECTOR	12,	1
CN2	2024322	CONNECTOR	8,	1
CN3	2027835	CONNECTOR		1
CN4	X600440310	CONNECTOR	3 PIN	1
CN5	2022864	CONNECTOR	3,	1
CN6	2007097	CONNECTOR	3,	1
CN7	2017936	CONNECTOR	4,	1
CN8	2017936	CONNECTOR	4,	1
CN9	2027807	CONNECTOR		1
CR1	2027832	CHIP CERAMIC OSCILLATOR		1
CRM2	2027833	CR NETWORK		1
CRM3	2027833	CR NETWORK		1
CRU1	2027799	CRYSTAL OSCILLATOR		1
D1	2012708	DIODE	35V,225MA	1
D10	2025785	DIODE		1
D11	2025785	DIODE		1
D12	2025785	DIODE		1
D13	2025785	DIODE		1
D14	2025785	DIODE		1
D15	2002872	DIODE	30V 70MA	1
D2	2012708	DIODE	35V,225MA	1
D3	2025785	DIODE		1
D4	2025785	DIODE		1
D5	2025785	DIODE		1
D6	2025785	DIODE		1
D7	2025785	DIODE		1
D8	2025785	DIODE		1
D9	2025785	DIODE		1
DM1	2027798	DIODE ARRAY		1
F1	2026294	FUSE		1
FLS1	2005522	EMI FILTER		1
FLS2	2005522	EMI FILTER		1
FLS3	2005522	EMI FILTER		1
FLS4	2028331	COMMON CHOKE COIL,		1
HT1	1040854	HEAT SINK		1
IC1	2028494	CPU		1
IC10	2027793	I/F IC		1
IC11	2027797	HIC		1
IC12	2027796	HIC		1
IC13	2027796	HIC		1
IC14	2027830	IC		1
IC15	2027795	3-TERMINAL REGULATOR		1
IC16	2027989	OPAMP		1
IC2	2028495	GATE ARRAY		1
IC3	X630114230	IC SOCKET	42 PIN	1
IC4	2026793	D-RAM		1
IC5	2030337	MASK ROM	DIP,4000000,100,40,	1
IC7	2014681	EEPROM, AT93C46-10SC	SOP,1K BIT,8	1
IC8	2027831	TIMER IC		1

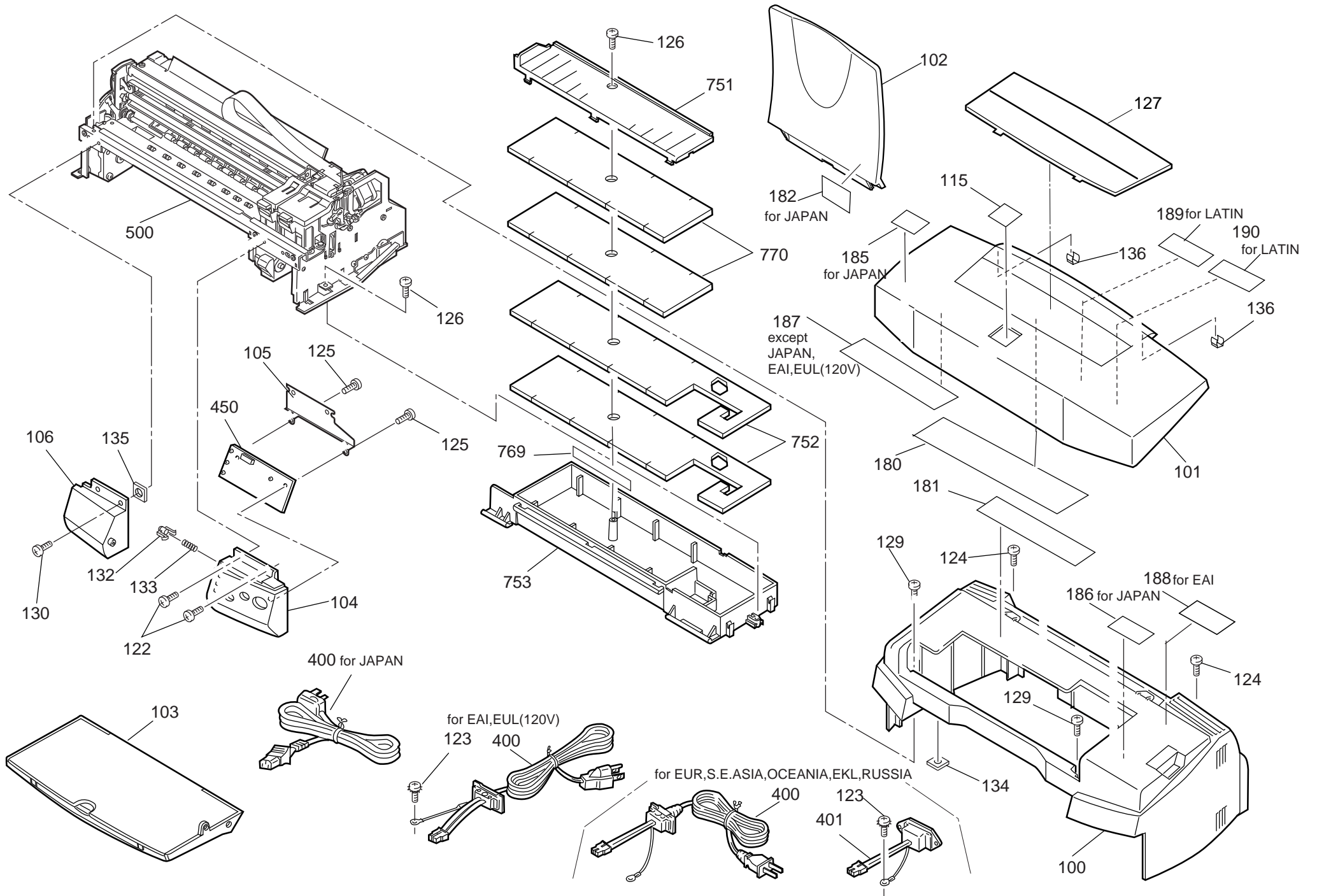


# EPSON STYLUS PHOTO 750

**(INCLUDES DETAILS OF NEWLY-AVAILABLE PRINT-HEAD KITS)  
SHADED ROWS INDICATE IMPORTANT ITEMS**

Page 1

REF	PART NO.	DESCRIPTION	SPECIFICATION	QTY
100	1043891	HOUSING		1
101	1038269	COVER ASSY;B		1
102	1040615	PAPER SUPPORT;B		1
103	1040665	STACKER ASSY		1
104	1040663	PANEL ASSY		1
105	1032270	SHIELD PLATE, PANEL		1
106	1042512	HOUSING, PANEL, LEFT		1
107	NOT USED			
108	1030669	GROUNDING PLATE		2
109	1030609	COVER, SHIELD PLATE, M/B, RIGHT		5
110	NOT USED			
111	1030608	COVER, CABLE		1
112	1037313	COVER, INLET, UPPER;B		1
113	1037314	COVER, INLET, LOWER;B		1
114	1040651	SHIELD PLATE, M/B		1
115	1043832	LOGO PLATE;B		1
116	1038233	HOUSING, SUPPORT, RIGHT;B		1
117	1038234	HOUSING, SUPPORT, LEFT;B		1
118	NOT USED			
119	1033230	FOOT		5
120	NOT USED			
121	B010103311	C.P.SCREW	M3X6	4
122	B300204211	C.B.S. SCREW	M3X6	22
123	1032538	C.B.(O) SCREW, 4X5, F/ZG		1
124	B300204411	C.B.S. SCREW	M3X10	2
125	1005019	C.B.P-TITE SCREW, 3X8, F/ZN	M3X8 F/ZN	2
126	1012350	C.B.P-TITE, 3X10, F/ZN		2
127	1037582	COVER, SUPPORT, ASP		1
128	1031165	MINI CLAMP		1
129	B303104411	C.B.S.(P) SCREW	M3X10	2
130	B300204311	C.B.S. SCREW	M3X8	1
131	1040616	COVER, CABLE;B		1
132	1040649	LOCK, STACKER		1
133	1040650	COMPRESSION SPRING, 2.94		1
134	1042513	SPACER, HOUSING		1
135	1042514	SPACER, HOUSING, PANEL		1
136	1035116	CLAMP, COVER, PRINTER		2
180	1043834	LABEL, CAUTION 1; C		1
181	1043836	LABEL, CAUTION 2; C		1
183	1037833	LABEL, LEVER CARTRIDGE, BLACK		1
184	1037835	LABEL, LEVER CARTRIDGE, COLOUR		1
200	2028309	BOARD ASSY., MAIN		1
BAT1	2027639	BATTERY HOLDER		1
BAT1	X505000700	LITHIUM BATTERY	CR2032	1
BAT1	Y502002001	SPONGE TAPE		1
C55	2027811	ALUMINIUM ELECTROLYTIC CAPACITOR		1
C65	2027811	ALUMINIUM ELECTROLYTIC CAPACITOR		1
C67	2027813	ALUMINIUM ELECTROLYTIC CAPACITOR		1
C74	2027812	ALUMINIUM ELECTROLYTIC CAPACITOR		1
C75	2027814	ALUMINIUM ELECTROLYTIC CAPACITOR		1
C76	2027814	ALUMINIUM ELECTROLYTIC CAPACITOR		1
C77	2027812	ALUMINIUM ELECTROLYTIC CAPACITOR		1



EXPLODED DIAGRAM FOR EPSON STYLUS PHOTO 750 / PM-770C (1/3) REV.03

10013





