

EPSON

STYLUS PHOTO 790

IMPORTANT ITEMS IN BOLD TYPE

Page 1

REF	PART NO	DESCRIPTION	SPEC	QTY
100	1059447	HOUSING;B;EPW		1
101	1059449	COVER,PRINTER;EFB		1
102	1060124	PAPER SUPPORT;B;EPW		1
103	1059439	HOUSING,PANEL,LEFT;EPW		1
104	1056407	SHIELD PLATE,UPPER		1
105	1056408	COVER,SHIELD PLATE		1
106	1056406	SHIELD PLATE,M/B		1
107	1058403	LOGO PLATE 10X40;C		1
108	1061937	PANEL ASSY.,SP790		1
109	1056455	BUTTON,PW		1
110	1056457	OPTICAL TUBE		1
111	1056458	SHIELD PLATE,PANEL		1
112	1061549	STACKER ASSY.:EPW		1
117	1047689	FOOT		4
120	1056449	COVER,PG		1
121	B010103311	C.P.SCREW	M3X6	3
122	B300204211	C.B.S. SCREW	M3X6	32
123	1032538	C.B.(O) SCREW,4X5,F/ZG		1
124	1053639	C,B,S-TITE R.SCREW,3X6,F/UC		1
125	1005019	C.B.P-TITE SCREW,3X8,F/ZN	M3X8 F/ZN	5
127	1059305	C.F.S-TITE,3X8,F/ZN		2
128	1014868	C.B.P-TITE(P4),3X8,F/ZN		2
200	2036094	BOARD ASSY.,MAIN	5672B,MITUBISHI DAC(C384)	1
200	2036097	BOARD ASSY.,MAIN	5676B,SONY DAC(C384)	1
IC10	2032152	ANALOG IC	DIP,30,CXA3528S	1
300	2035909	BOARD ASSY.,POWER SUPPLY	5674A,STANDARD	1
330	2037729	HARNES		1
450	2035911	BOARD ASSY.,PNL	5675A,STANDARD	1
400	2006741	POWER CABLE,BS31303SA-SR-10A	240V	1
501	1056718	FRAME ASSY.,MAIN		1
502	1056427	COMBINATION GEAR,9.6,24		1
503	1056426	SPUR GEAR,36.8		1
504	1056429	COMBINATION GEAR,37.6,44.4		1
505	1056581	PUMP ASSY.		1
506	1055173	CAP ASSY.		1
507	2035632	MOTOR ASSY.,CR	,DC	1
508	2035634	MOTOR ASSY.,PF	,DC	1
509	1056415	TIMING BELT		1
510	1056431	SPUR GEAR,15		1
511	1053225	SPRINGPIN,2X14.5		1
512	1056404	FRAME,FRONT		1
513	1056419	PULLEY,DRIVEN		1
514	1050347	SHAFT,PULLEY,DRIVEN		1
515	1050346	BUSHING,PULLEY,DRIVEN		2
516	1056418	HOLDER,PULLEY,DRIVEN		1
517	1030957	COMPRESSION SPRING,5.85		1
518	1058404	COMPRESSION SPRING,19.6		1
519	1036680	INSULATOR,MOTOR,CR		4
520	1024352	SPACER,INSULATOR		4
521	1040582	SPUR GEAR,73.6		1
522	1056422	ROLLER,PF		1
523	1052677	BUSHING,ROLLER,PF		1
524	1059746	BUSHING,ROLLER,PF,LEFT		1
525	1037094	SPACER,FASTEN,ROLLER,PF		1
526	1058563	GROUNDING WIRE,PF		1
527	1031164	C-RING		1
528	1030967	PLAIN WASHER,12.2X0.5X15		2
530	1056716	CARRIAGE		1
531	1056416	SHAFT,CR,GUIDE		1
532	1056410	SLIDER,CR		1
533	1056412	GROUNDING PLATE,HEAD		1
534	1032301	SCALLOP SPRING PIN-AW,2X16,F/B		1
535	1056443	ROLLER ASSY.,EJ		1
536	1059402	PAPER GUIDE,FRONT		1
539	1052671	TORSION SPRING,52.92		4
540	1052668	PAPERGUIDE,UPPER		3
541	1052669	ROLLER,DRIVEN		8

EPSON

STYLUS PHOTO 790

IMPORTANT ITEMS IN BOLD TYPE

REF	PART NO	DESCRIPTION	SPEC	QTY
542	1052670	SHAFT,ROLLER,DRIVEN		4
543	1052682	HOLDER,STARWHEEL,FRONT		4
544	1056435	HOLDER,STAR WHEEL,REAR		6
545	1045223	STARWHEEL ASSY.,8;E		10
546	1032244	ROD SPRING,STAR WHEEL		5
547	1033652	STAR WHEEL,8;B		1
548	1056430	PAPER GUIDE,LEFT		1
549	1054460	HOLDER,STAR WHEEL,EJ		1
550	1056442	SPUR GEAR,25.6		1
551	1056424	COMBINATION GEAR,11.6,36.8		1
552	1030971	PLAIN WASHER,4.1X0.5X6.5		1
553	1040644	BUSHING,FASTEN,COMBINATION GEAR		1
554	1040581	COMBINATION GEAR,16,21.6		1
555	1023219	BUSHING NUT,2		1
556	1024505	HEXAGON NUT,NORMAL,M3		7
557	1059310	GROUNDING PLATE,HEAD FFC		1
559	1030395	LEVER,PG,SUPPORT		1
560	B101254590	LEAF SPRING	6.2X0.15X11	1
561	1032240	TORSION SPRING,63.7		1
562	1056417	LEVER,PG		1
563	1056414	BUSHING, PARALLELISM ADJUST,RIGHT		1
564	1056413	BUSHING ,PARALLELISM ADJUST,LEFT		1
565	1056444	BUSHING,5		2
566	1056717	SCALLOP S.P SP-AW,1.6X10,F/B		1
567	1030821	PLAIN WASHER,5.2X0.2X10,S/NA		2
568	1048912	U-TYPE SPRING,5.2X0.13X10,S/NA		1
700	F083000	PRINT HEAD	288	1
701	1056423	LEVER,CHANGE		1
702	1059377	COMPRESSION SPRING,1.47		1
703	2037213	HARNESS,DETECTOR	...	1
704	2021833	DETECTOR,HP;C	4V,50MA,100MW,	1
705	1056440	HOLDER,SHAFT		1
706	1052596	LEVER,DETECTOR,HP		1
707	1059148	EDGE GUIDE;B		1
708	1052687	HOPPER		1
709	1056439	FRAME,ASF		1
710	1052694	PAD,HOPPER		1
711	1057168	HOLDER,PAD		1
712	1059009	PAD,LD,SMALL		1
713	1053757	PAD,BRAK E,EDGE GUIDE		1
714	1057554	PAD,LD:D		1
715	1052595	LEVER,DETECTOR,PE		1
716	1059633	ROLLER,LD		1
717	1052673	EXTENSION SPRING,0.143		1
718	1057167	SHAFT,ROLLER,LD		1
719	1059524	CLUTCH		1
720	1052717	SPUR GEAR,35.2		1
721	1039368	SPUR GEAR,23.2		1
722	1060220	TORSION SPRING,36.8		1
723	2035636	CABLE,HEAD		1
724	1052693	COMPRESSION SPRING,4.80		1
725	1056411	HOLDER,CABLE HEAD		1
726	1052613	TORSIONSRING,0.22		2
727	1060933	COMPRESSION SPRING,7.77		1
728	1054820	SHAFT,ROLLER,LD,SUPPORT		1
729	1032300	C.B.S-TITE(P4),3X6,F/ZN		3
730	1061547	TRAY,POROUS PAD;B		1
731	1056197	POROUS PAD,INK EJECT,LARGE		1
732	1056198	POROUS PAD,INK EJECT,SMALL		2
733	1060089	SHEET,PROTECTION		2
734	1050580	CLEANER HEAD,ASP		1
735	1059198	POROUS PAD,INK EJECT,CAP,LOWER		1
736	B070200411	HEXAGON NUT	M4	1
737	1056436	PAPER GUIDE,LOWER		1
738	1057623	COVER,CARTRIDGE,BK;B		1
739	1057624	COVER,CARTRIDGE,C;B		1
740	1059196	PLATE SPRING,COVER,CARTRIDGE		4

EPSON

STYLUS PHOTO 790

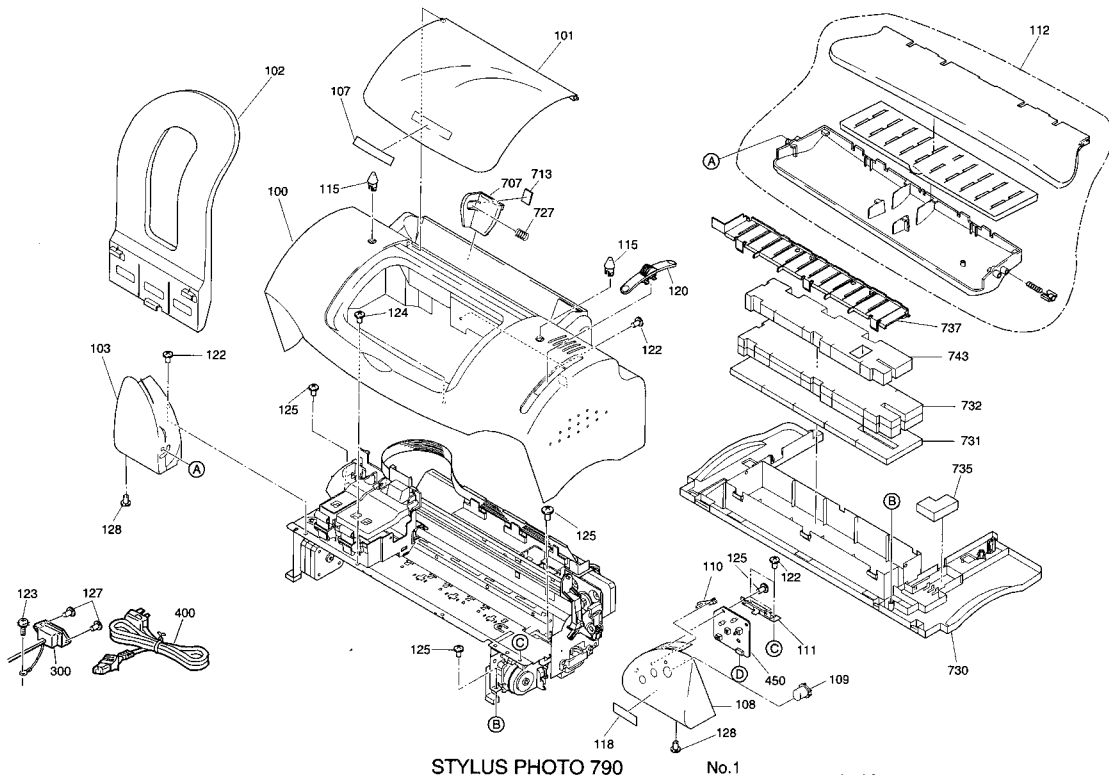
IMPORTANT ITEMS IN BOLD TYPE

REF	PART NO	DESCRIPTION	SPEC	QTY
741	1023043	+ BIND B-TITE SEMS W2,2.5X5,F/ZB		1
742	1045787	C.B.S-TITE(P4),3X8,F/ZN		1
743	1059927	POROUS PAD,INK EJECT,UPPER		1
745	1060282	POROUS PAD,PAPER GUIDE,FRONT		1
NON FIG	1051012	INK CARTRIDGE,BLACK,,AS		1
NON FIG	1051013	INK CARTRIDGE,COLOUR,,AS		1
NON FIG	1057869	BUNDLE PACK,011,		1
NON FIG	3003578	SOFTWARE CD-ROM,EFIGSPD		1
NON FIG	3003588	APPLICATION CD-ROM,M		1
NON FIG	4010434	SUPPLEMENT		1
NON FIG	4012276	SUPPLEMENT		1
NON FIG	4013104	SETTING UP MANUAL	SETUP SHEET	1
NON FIG	4013105	SETTING UP MANUAL	SETUP SHEET	1
NON FIG	4013106	SETTING UP MANUAL	SETUP SHEET	1
NON FIG	4013107	SETTING UP MANUAL	SETUP SHEET	1
NON FIG	4013108	SETTING UP MANUAL	SETUP SHEET	1
NON FIG	4013109	SETTING UP MANUAL	SETUP SHEET	1
NON FIG	4013110	SETTING UP MANUAL	SETUP SHEET	1
NON FIG	4013111	USER'S GUIDE	DAILY USE	1
NON FIG	4013115	SUPPLEMENT	INSTRUCTION CARD	1
NON FIG	4013139	SOFTWARE GUIDE	PHOTO QUICKER 2 USER'S GUIDE	1
END				

EPSON

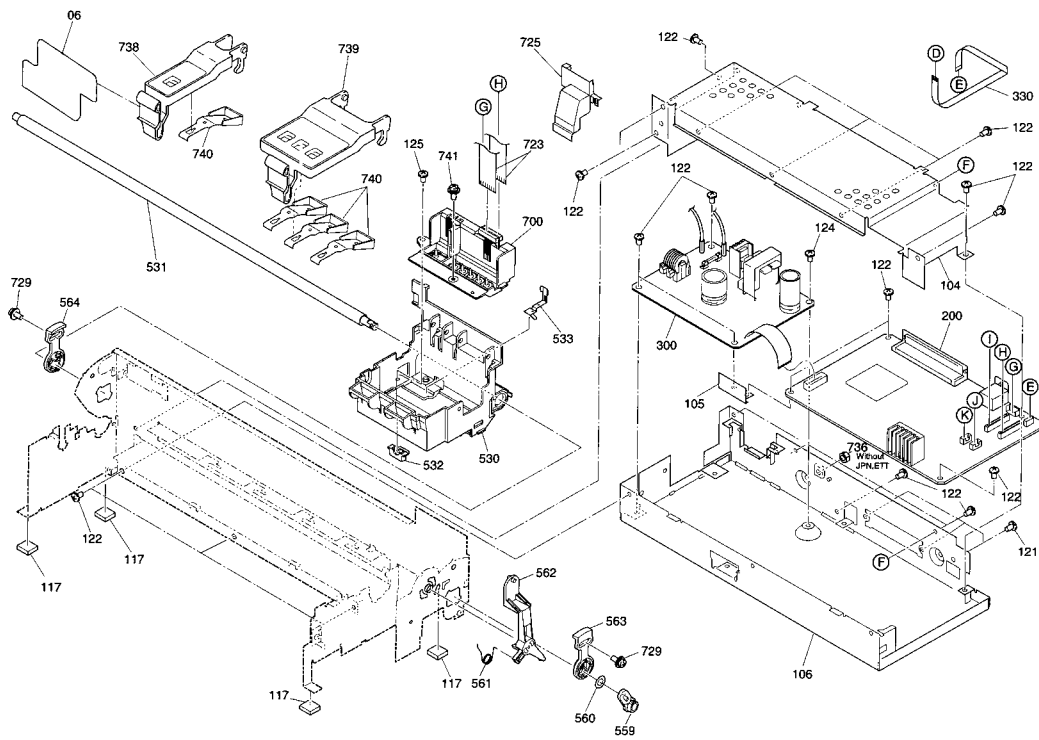
STYLUS PHOTO 790

IMPORTANT ITEMS IN BOLD TYPE



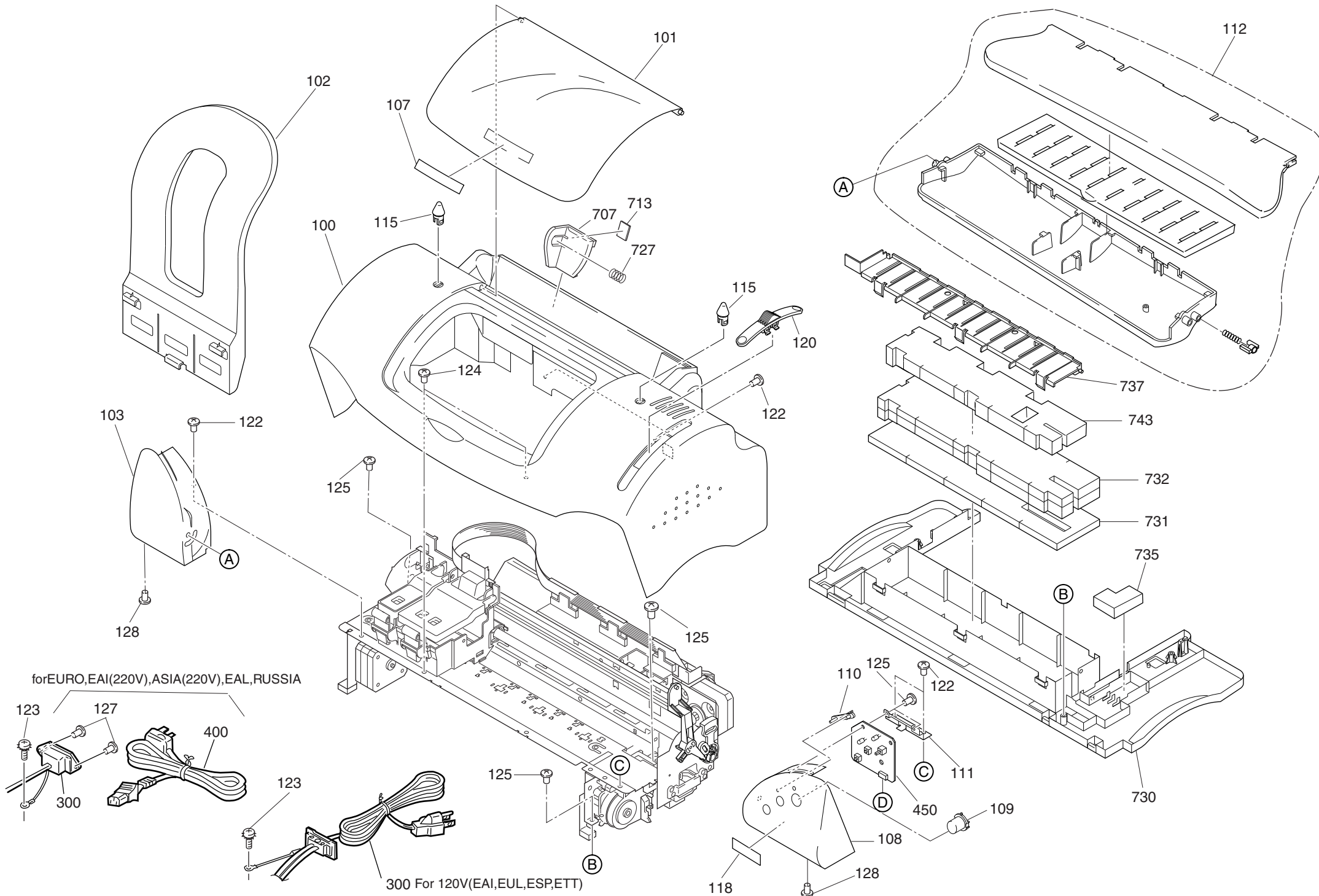
STYLUS PHOTO 790

No.1



STYLUS PHOTO 790

No.2



EPSON STYLUS PHOTO 790

No.1

Rev.03

10266

