

# EPSON STYLUS PHOTO 870

Page 1

| REF  | PART NO    | DESCRIPTION                    | SPEC                           | QTY |
|------|------------|--------------------------------|--------------------------------|-----|
| 100  | 1053780    | HOUSING;B                      |                                | 1   |
| 101  | 1049928    | COVER,PRINTER                  |                                | 1   |
| 102  | 1040615    | PAPER SUPPORT;B                |                                | 1   |
| 103  | 1049943    | STACKER ASSY.                  |                                | 1   |
| 104  | 1049944    | PANEL ASSY.                    |                                | 1   |
| 105  | 1049941    | SHIELD PLATE,PANEL             |                                | 1   |
| 106  | 1049942    | HOUSING,PANEL,LEFT             |                                | 1   |
| 108  | 1030669    | GROUNDING PLATE                |                                | 2   |
| 109  | 1030609    | COVER,SHIELD PLATE,M/B,RIGHT   |                                | 1   |
| 110  | 1049929    | COVER,PRINTER,SUPPORT          |                                | 1   |
| 111  | 1030608    | COVER,CABLE                    |                                | 1   |
| 112  | 1037313    | COVER,INLET,UPPER;B            |                                | 1   |
| 113  | 1037314    | COVER,INLET,LOWER;B            |                                | 1   |
| 114  | 1048900    | SHIELD PLATE,M/B               |                                | 1   |
| 115  | 1051196    | LOGO PLATE;B                   |                                | 1   |
| 116  | 1049930    | HOUSING,SUPPORT,RIGHT          |                                | 1   |
| 117  | 1049931    | HOUSING,SUPPORT,LEFT           |                                | 1   |
| 119  | 1047689    | FOOT                           |                                | 4   |
| 121  | B010103311 | C.P.SCREW                      | M3X6                           | 3   |
| 122  | B300204211 | C.B.S. SCREW                   | M3X6                           | 29  |
| 123  | 1032538    | C.B.(O) SCREW,4X5,F/ZG         |                                | 1   |
| 124  | B300204411 | C.B.S. SCREW                   | M3X10                          | 4   |
| 125  | 1005019    | C.B.P-TITE SCREW,3X8,F/ZN      | M3X8 F/ZN                      | 6   |
| 130  | 1049940    | BUTTON,CSIC                    |                                | 1   |
| 131  | 1040616    | COVER,CABLE;B                  |                                | 1   |
| 132  | 1040649    | LOCK,STACKER                   |                                | 1   |
| 133  | 1040650    | COMPRESSION SPRING,2.94        |                                | 1   |
| 134  | 1052176    | TUBE,LENS                      |                                | 1   |
| 135  | 1049938    | BUTTON,PS                      |                                | 1   |
| 136  | 1049939    | OPTICAL TUBE                   |                                | 1   |
| 181  | 1051215    | LABEL,CAUTION;B                |                                | 1   |
| 187  | 1051220    | LABEL,ACCESSORY;F              |                                | 1   |
| 200  | 2032851    | BOARD ASSY.,MAIN               | 5590B,STD(C304 MITSUBISHI DAC) | 1   |
| B2   | 2032336    | BEADS CORE                     |                                | 1   |
| B3   | 2032336    | BEADS CORE                     |                                | 1   |
| BAT1 | 2031511    | BATTERY HOLDER                 |                                | 1   |
| BAT1 | X505000700 | LITHIUM BATTERY                | CR2032                         | 1   |
| C113 | 2031509    | ALUM. E'LYTIC. CAP             | TP,100MF,50V,+20%              | 1   |
| C118 | 2031509    | ALUM. E'LYTIC. CAP             | TP,100MF,50V,+20%              | 1   |
| C53  | 2032718    | ALUM. E'LYTIC. CAP             | :TP,100UF,10V,;+20%            | 1   |
| C66  | 2031508    | ALUM. E'LYTIC. CAP             | TP,47MF,16V,+20%               | 1   |
| C74  | 2031510    | ALUM. E'LYTIC. CAP             | TP,10MF,50V,+20%               | 1   |
| C79  | 2031509    | ALUM. E'LYTIC. CAP             | TP,100MF,50V,+20%              | 1   |
| C85  | 2031506    | ALUM. E'LYTIC. CAP             | TP,220MF,10V,+20%              | 1   |
| C87  | 2031509    | ALUM. E'LYTIC. CAP             | TP,100MF,50V,+20%              | 1   |
| CM1  | 2027998    | CAPACITOR NETWORK              |                                | 1   |
| CN1  | 2013284    | CONNECTOR 57RE-40360-830B(D7B) | 36,                            | 1   |
| CN10 | 2027959    | CONNECTOR                      |                                | 1   |
| CN11 | 2023034    | CONNECTOR                      | 12,                            | 1   |
| CN12 | 2024316    | CPNNECTOR                      | 5,1MM                          | 1   |
| CN13 | 2003678    | CONNECTOR                      | 2,                             | 1   |
| CN14 | X600440120 | CONNECTOR                      | 2 PIN                          | 1   |
| CN3  | 2027835    | CONNECTOR                      |                                | 1   |
| CN5  | 2022864    | CONNECTOR                      | 3,                             | 1   |
| CN6  | 2007097    | CONNECTOR                      | 3,                             | 1   |
| CN7  | X600720440 | CONNECTOR                      | 4P                             | 1   |
| CN8  | 2032148    | CONNECTOR                      | 21,1MM,                        | 1   |
| CN9  | 2032148    | CONNECTOR                      | 21,1MM,                        | 1   |
| CR2  | 2032717    | CRYSTAL                        | 24MHZ                          | 1   |
| CRM1 | 2027833    | CR NETWORK                     |                                | 1   |
| CRM2 | 2027833    | CR NETWORK                     |                                | 1   |
| CRU1 | 2027799    | CRYSTAL OSCILLATOR             |                                | 1   |
| D1   | 2012708    | DIODE                          | 35V,225MA                      | 1   |
| D10  | 2025785    | DIODE                          |                                | 1   |
| D11  | 2025785    | DIODE                          |                                | 1   |
| D14  | 2025785    | DIODE                          |                                | 1   |
| D15  | 2025785    | DIODE                          |                                | 1   |
| D16  | 2021266    | DIODE                          | TP,60V,0.71A                   | 1   |
| D2   | 2002872    | DIODE                          | 30V 70MA                       | 1   |

# EPSON STYLUS PHOTO 870

Page 2

| REF   | PART NO    | DESCRIPTION                      | SPEC                      | QTY |
|-------|------------|----------------------------------|---------------------------|-----|
| D3    | 2012708    | DIODE                            | 35V,225MA                 | 1   |
| D4    | 2025785    | DIODE                            |                           | 1   |
| D5    | 2025785    | DIODE                            |                           | 1   |
| D6    | 2025785    | DIODE                            |                           | 1   |
| D7    | 2025785    | DIODE                            |                           | 1   |
| DM1   | 2027798    | DIODE ARRAY                      |                           | 1   |
| DM2   | 2014597    | DIODE ARRAY                      | 40V,1A,0MW,               | 1   |
| F1    | 2032719    | FUSE                             | ,72V,1.4A,                | 1   |
| HT1   | 1050192    | HEAT SINK                        |                           | 1   |
| IC11  | 2032138    | ANALOG IC                        | SOP,24                    | 1   |
| IC12  | 2032136    | HIC                              | 28                        | 1   |
| IC13  | 2030266    | D/A CONVERTER                    | :DIP,16                   | 1   |
| IC14  | 2032398    | SHUNT REGULATOR                  | SOP,8                     | 1   |
| IC15  | 2034481    | MICROCONTROLLER                  | QFP,,128                  | 1   |
| IC18  | 2032135    | HIC                              | 14                        | 1   |
| IC19  | 2032134    | HIC                              | 24                        | 1   |
| IC2   | 2034020    | EP-ROM                           | DIP,8 MBIT,42             | 1   |
| IC2   | X630114230 | IC SOCKET                        | 42 PIN                    | 1   |
| IC20  | 2032918    | MICROCONTROLLER                  | :QFP,,128,HD6432323***F   | 1   |
| IC21  | 2031504    | I/F IC                           | 14                        | 1   |
| IC22  | 2027989    | OPAMP                            |                           | 1   |
| IC23  | 2012489    | COMPARATOR                       | 8                         | 1   |
| IC24  | 2031458    | TTL IC                           | TSOP,14,                  | 1   |
| IC25  | 2027794    | OPEAMP                           | SOP,8                     | 1   |
| IC3   | 2031501    | DRAM                             | :OTHER,:16MBIT,60,44      | 1   |
| IC4   | 2029238    | TTL IC                           | SOP,48                    | 1   |
| IC5   | 2027831    | TIMER IC                         |                           | 1   |
| IC6   | 2032154    | EEP-ROM                          | SOP,,,8                   | 1   |
| IC7   | 2031503    | D/A CONVERTER                    | SOP,8,M62090FP            | 1   |
| IC8   | 2032922    | ASIC                             | :QFP,240,HG73C066BFM      | 1   |
| IC9   | 2028575    | REGULATOR                        | SOP                       | 1   |
| Q1    | 2019965    | TRANSISTOR                       | -50V,-100MA,200MW,0,0,    | 1   |
| Q2    | 2017978    | TRANSISTOR                       | 50V,30MA,200MW,0,0,       | 1   |
| Q3    | 2032720    | NPN TRANSISTOR                   | :BL,,,,,                  | 1   |
| Q3,Q4 | B010303411 | C.B.SCREW                        | M3X8                      | 2   |
| Q4    | 2032721    | PNP TRANSISTOR                   | :BL,,,,,                  | 1   |
| RM1   | 2021621    | CHIP RESISTOR ARRAY              | TP,470HM,1/16W,+5%,       | 1   |
| RM2   | 2021632    | CHIP RESISTOR ARRAY              | TP,33KOHM,1/16W,+5%,      | 1   |
| RM3   | 2021620    | CHIP RESISTOR ARRAY              | TP,33OHM,1/16W,+5%,       | 1   |
| RM4   | 2021624    | CHIP RESISTOR ARRAY              | TP,100OHM,1/16W,+5%,      | 1   |
| RM5   | 2021624    | CHIP RESISTOR ARRAY              | TP,100OHM,1/16W,+5%,      | 1   |
| 300   | 2032165    | BOARD ASSY.,POWER SUPPLY         | 5575A,STANDARD            | 1   |
| 330   | 2032537    | WIRE HARNESS                     |                           | 1   |
| 400   | 2006741    | POWER CABLE,BS31303SA-SR-10A     | 240V                      | 1   |
| 401   | 2018028    | HARNESS                          | 220V/230V/240V            | 1   |
| 450   | 2032535    | BOARD ASSY.,PANEL                | 5591A,STANDARD(C296/C304) | 1   |
| 500   | 2033453    | PRINTER MECHANISM(ASP)M4T10-100  |                           | 1   |
| 501   | 1048936    | FRAME ASSY.,LEFT                 |                           | 1   |
| 502   | 2033351    | MOTOR ASSY.,PF                   | 15.9W,DC                  | 1   |
| 504   | 1048835    | COMBINATION GEAR,12,22.4         |                           | 1   |
| 505   | 1048874    | FRAME,RIGHT,FRONT                |                           | 1   |
| 506   | 1051372    | FRAME,UPPER,B                    |                           | 1   |
| 507   | 2033350    | MOTOR ASSY.,CR                   | 14.7W,DC                  | 1   |
| 508   | 1048750    | PUMP ASSY.                       |                           | 1   |
| 509   | 1048712    | CAP ASSY.                        |                           | 1   |
| 510   | 1048877    | FRAME,LOWER                      |                           | 1   |
| 511   | 1050768    | SHEET,PROTECTION,INK             |                           | 1   |
| 512   | 1048876    | FRAME,FRONT                      |                           | 1   |
| 513   | 1030392    | BUSHING,PARALLELISM ADJUST,LEFT  |                           | 1   |
| 514   | 1030393    | BUSHING,PARALLELISM ADJUST,RIGHT |                           | 1   |
| 515   | 1048825    | PAPER GUIDE,REAR                 |                           | 1   |
| 516   | 1048740    | ROLLER,PF                        |                           | 1   |
| 517   | 1030957    | COMPRESSION SPRING,5.85          |                           | 1   |
| 518   | 1037093    | BUSHING,12,LEFT                  |                           | 1   |
| 519   | 1048804    | TENSION BELT,PUMP TRANSMISSION   |                           | 1   |
| 520   | 1048834    | SPUR GEAR,15.2                   |                           | 1   |
| 521   | 1030975    | SPACER,C-RING                    |                           | 1   |
| 522   | 1032301    | SCALLOP SPRING PIN-AW,2X16,F/B   |                           | 1   |
| 524   | 1048928    | SPUR GEAR,76                     |                           | 1   |

# EPSON STYLUS PHOTO 870

| REF | PART NO    | DESCRIPTION                     | SPEC        | QTY |
|-----|------------|---------------------------------|-------------|-----|
| 525 | 1037094    | SPACER,FASTEN,ROLLER,PF         |             | 1   |
| 526 | 1037095    | SPACER,FASTEN,ROLLER,PF:B       |             | 1   |
| 527 | 1031164    | C-RING                          |             | 1   |
| 528 | 1038159    | PLAIN WASHER,12.2X0.5X17        |             | 2   |
| 529 | 1048742    | ROLLER ASSY.,EJECT              |             | 1   |
| 530 | 1048829    | BUSHING,6                       |             | 2   |
| 531 | B150300711 | RETAINING RING                  | TYPE-E(4)   | 4   |
| 532 | 1048929    | SPUR GEAR,28                    |             | 1   |
| 533 | 1030403    | BUSHING,12,RIGHT                |             | 1   |
| 534 | 1030971    | PLAIN WASHER,4.1X0.5X6.5        |             | 2   |
| 535 | 1048824    | PAPER GUIDE,FRONT               |             | 1   |
| 536 | 1042582    | GROUNDING WIRE,EJ               |             | 1   |
| 537 | 1048885    | GROUNDING SPRING,PF             |             | 1   |
| 538 | 1048878    | FRAME,PAPER EJECT               |             | 1   |
| 539 | 1042338    | HOLDER,STAR WHEEL,RIGHT         |             | 1   |
| 540 | 1042339    | HOLDER,STAR WHEEL,LEFT          |             | 1   |
| 541 | 1032723    | HOLDER,STARWHEEL,FRONT          |             | 1   |
| 542 | 1044879    | STAR WHEEL ASSY,8;D             |             | 20  |
| 543 | 1033652    | STARHWEEL,8;B                   |             | 1   |
| 544 | 1032244    | ROD SPRING,STAR WHEEL           |             | 14  |
| 545 | 1030408    | PAPER GUIDE,UPPER               |             | 5   |
| 546 | 1030414    | PAPER GUIDE,LEFT                |             | 1   |
| 547 | 1032646    | PAPER GUIDE,RIGHT               |             | 1   |
| 548 | 1030968    | SHAFT,PAPER GUIDE,UPPER         |             | 6   |
| 549 | 1030969    | SHAFT,ROLLER,DRIVEN             |             | 6   |
| 550 | 1038961    | ROLLER,DRIVEN;D                 |             | 12  |
| 551 | 1030956    | TORSION SPRING,117.6            |             | 6   |
| 552 | 2022329    | CIRCUIT ASSY,PE                 |             | 1   |
| 553 | 1048827    | HOLDER,PE                       |             | 1   |
| 554 | 1048826    | LEVER,PE                        |             | 1   |
| 555 | 1030958    | TORSION SPRING,0.22             |             | 1   |
| 556 | 1048816    | LEVER,CR,LOCK                   |             | 1   |
| 557 | 1048879    | GUIDE PLATE,CR                  |             | 1   |
| 558 | 1032719    | SHEET,CABLE                     |             | 1   |
| 559 | 1050769    | SCREW,MOUNT,PF                  |             | 1   |
| 560 | 1050332    | CARRIAGE ASSY                   |             | 1   |
| 561 | 1030380    | LEVER,ADJUST                    |             | 1   |
| 562 | 1048884    | GROUNDING PLATE,CR              |             | 1   |
| 563 | 1030382    | OIL PAD                         |             | 1   |
| 564 | 1030387    | SLIDER,CR                       |             | 1   |
| 565 | 1048736    | TIMING BELT                     |             | 1   |
| 566 | 1048737    | SHAFT,CR,GUIDE                  |             | 1   |
| 567 | 1050345    | PULLEY,DRIVEN                   |             | 1   |
| 568 | 1048810    | HOLDER,PULLEY,DRIVEN            |             | 1   |
| 569 | 1049695    | COMPRESSION SPRING,23.52        |             | 1   |
| 570 | 1037577    | LEVER,PG                        |             | 1   |
| 571 | 1030395    | LEVER,PG,SUPPORT                |             | 1   |
| 572 | 1048889    | TORSION SPRING,63.7             |             | 1   |
| 574 | 1048930    | COMBINATION GEAR,13.5,30        |             | 1   |
| 575 | 1050346    | BUSHING,PULLEY,DRIVEN           |             | 2   |
| 576 | 1034669    | POROUS PAD,SLIDER,CAP           |             | 1   |
| 577 | 1050347    | SHAFT,PULLEY,DRIVEN             |             | 1   |
| 578 | 1048907    | EXTENSION SPRING,0.618          |             | 1   |
| 579 | 1048833    | LEVER,PLANET                    |             | 1   |
| 580 | 2028815    | HARNESS,PE                      |             | 1   |
| 581 | 2028817    | HARNESS,ASF                     |             | 1   |
| 582 | 1048721    | SHAFT,SPUR GEAR,PLANET          |             | 1   |
| 585 | 1048912    | U-TYPE SPRING,5.2X0.13X10,S/NA  |             | 1   |
| 586 | 1048836    | COMBINATION GEAR,14,28          |             | 1   |
| 587 | B300204211 | C.B.S. SCREW                    | M3X6        | 27  |
| 588 | B010103311 | C.P.SCREW                       | M3X6        | 3   |
| 589 | B101254590 | LEAF SPRING                     | 6.2X0.15X11 | 1   |
| 590 | 1017597    | PLAIN WASHER,3.3X0.5X8,F/UC     |             | 1   |
| 591 | 1043627    | C.B.P-TITE,2.5X5,F/ZN           |             | 1   |
| 592 | 1048909    | PLAIN WASHER,6.2*0.2*9,L/NA     |             | 1   |
| 593 | 1048890    | PLAIN WASHER,5.1X0.7X11,S/NA    |             | 1   |
| 594 | 1048893    | PLAIN WASHER,10.7X0.5X15.5,L/NA |             | 1   |
| 599 | 1048881    | FRAME,MIDDLE                    |             | 1   |
| 603 | 1048913    | TAPE,D50                        |             | 1   |

# EPSON STYLUS PHOTO 870

Page 4

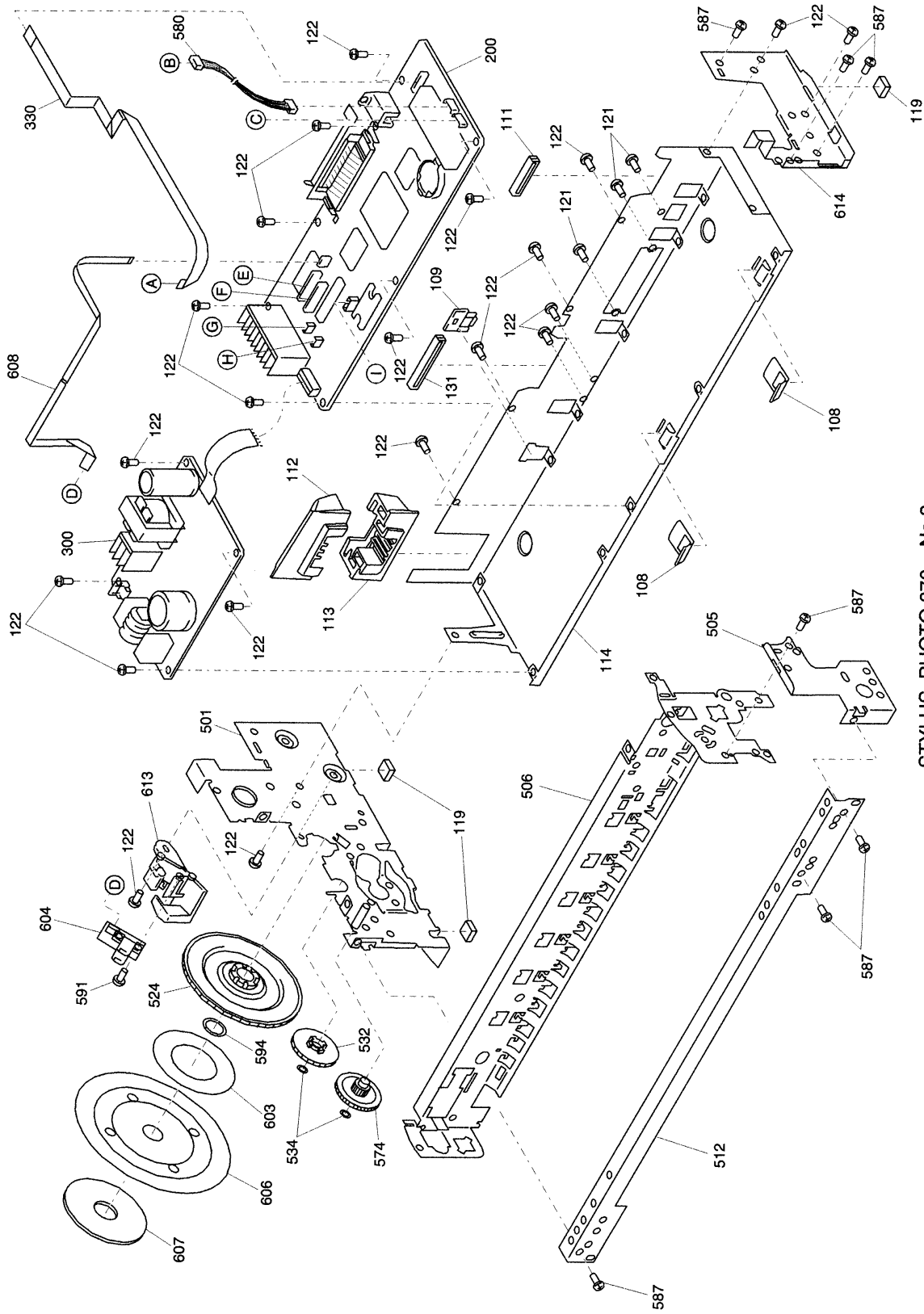
| REF | PART NO    | DESCRIPTION                        | SPEC      | QTY |
|-----|------------|------------------------------------|-----------|-----|
| 604 | 1048918    | BOARD ASSY.,ENCODER                |           | 2   |
| 605 | 1048920    | SCALE,CR                           |           | 1   |
| 606 | 1048922    | SCALE,PF                           |           | 1   |
| 607 | 1048898    | MOUNTING PLATE,SCALE               |           | 1   |
| 608 | 2032181    | FFC,ENCODER                        |           | 1   |
| 609 | 1048888    | EXTENSION SPRING,1.494             |           | 1   |
| 610 | 1049348    | MINI CLAMP,UAMS-05SN               |           | 3   |
| 611 | 1048957    | SCALLOP SPRING PIN-AW,2X10,F/B     |           | 1   |
| 612 | 1005019    | C.B.P-TITE SCREW,3X8,F/ZN          | M3X8 F/ZN | 3   |
| 613 | 1048822    | MOUNTING PLATE,BOARD ASSY.         |           | 1   |
| 614 | 1048875    | FRAME,RIGHT,REAR                   |           | 1   |
| 615 | 1049546    | PLATE,SLIDER,CLEANER               |           | 1   |
| 616 | 1048908    | EXTENSION SPRING,7.37              |           | 1   |
| 618 | 1048910    | LEVER ASSEMBLY,COMBINATION GEAR    |           | 1   |
| 619 | 1050767    | SET RING,D8.8                      |           | 2   |
| 620 | 2032192    | MOTOR ASSY,ASF                     |           | 1   |
| 621 | B100165911 | P.W.,3.1X0.5X12,F/ZN               |           | 1   |
| 622 | B150300611 | RETAINING RING                     | TYPE-E(3) | 1   |
| 623 | 1048839    | COMBINATION GEAR,17.19,25.6        |           | 1   |
| 624 | 1048840    | COMBINATION GEAR,12,22.92          |           | 1   |
| 625 | 1048842    | LEVER,DE,LOCK                      |           | 1   |
| 626 | 1048832    | MOUNTING PLATE,MOTOR,ASF           |           | 1   |
| 627 | 1048906    | COMPRESSION SPRING, 3.944          |           | 1   |
| 628 | 1050765    | FERRULE ,D3.6                      |           | 2   |
| 639 | 1051812    | SPACER MOTOR PF                    |           | 1   |
| 641 | 1051049    | POROUS PAD,PAPER GUIDE FRONT       |           | 2   |
| 642 | 1051050    | POROUS PAD,PAPER GUIDE FRONT,RIGHT |           | 1   |
| 645 | 1053940    | PLAIN WASHER,2.1X0.25X5.5,L/NA     |           | 6   |
| 700 | F074000    | PRINT HEAD                         |           | 1   |
| 701 | 1050333    | FASNER,HEAD                        |           | 1   |
| 702 | 1050334    | TORSION SPRING,28.4                |           | 1   |
| 703 | 1024130    | C.B.P-TITE SCREW,3X6,F/ZN          |           | 5   |
| 704 | 2032847    | CABLE,HEAD,A                       |           | 1   |
| 705 | 1050331    | HOLDER,CABLE                       |           | 1   |
| 706 | 1033220    | SPACER,CABLE HEAD                  |           | 1   |
| 707 | 1038244    | FRAME,ASF:B                        |           | 1   |
| 708 | 1040589    | HOPPER                             |           | 1   |
| 709 | 1040590    | EDGE GUIDE                         |           | 1   |
| 710 | 1040606    | CORK                               |           | 1   |
| 711 | 1030429    | SLIDER,EDGE GUIDE                  |           | 1   |
| 712 | 1030960    | COMPRESSION SPRING,3.23            |           | 1   |
| 713 | 1033016    | PAD,BRAKE,EDGE GUIDE               |           | 1   |
| 714 | 1040645    | REINFORCEMENT PLATE,HOPPER         |           | 1   |
| 715 | 1048838    | SPUR GEAR,32                       |           | 1   |
| 716 | 1040661    | PAD ASSY.,RIGHT                    |           | 1   |
| 717 | 1030450    | LEVER,PAD,RELEASE,RIGHT            |           | 1   |
| 718 | 1030420    | ROD SPRING,HOLDER,PAD              |           | 2   |
| 719 | 1040608    | HOLDER,EDGE GUIDE,RIGHT            |           | 1   |
| 720 | 1036867    | COMPRESSION SPRING,1.17            |           | 2   |
| 721 | 1036874    | EXTENSION SPRING,0.62              |           | 2   |
| 722 | 1040595    | LEVER,PAPER RETURN,RIGHT           |           | 1   |
| 723 | 1040646    | EXTENSION SPRING,0.294             |           | 2   |
| 724 | 1040596    | ROLLER,LD,SUPPORT                  |           | 2   |
| 725 | 1040648    | HOLDER,ROLLER,LD,SUPPORT,RIGHT     |           | 1   |
| 726 | 1040660    | PAD ASSY.,LEFT                     |           | 1   |
| 727 | 1030449    | LEVER,PAD,RELEASE,LEFT             |           | 1   |
| 728 | 1040602    | HOLDER,EDGE GUIDE,LEFT             |           | 1   |
| 729 | 1040594    | LEVER,PAPER RETURN,LEFT            |           | 1   |
| 730 | 1040647    | HOLDER,ROLLER,LD,SUPPORT,LEFT      |           | 1   |
| 731 | 1040658    | ROLLER ASSY.,LD,LEFT               |           | 1   |
| 732 | 1040659    | ROLLER ASSY.,LD,RIGHT              |           | 1   |
| 733 | 1040597    | COVER,ROLLER,LD,LEFT               |           | 1   |
| 734 | 1040598    | COVER,ROLLER,LD,RIGHT              |           | 1   |
| 735 | 1036868    | COMPRESSION SPRING,1.961           |           | 2   |
| 736 | 1038211    | LEVER,FASTEN,EDGE GUIDE;B          |           | 2   |
| 737 | 1030959    | EXTENSION SPRING,0.088             |           | 2   |
| 738 | 1040601    | SHAFT,ROLLER,LD                    |           | 1   |
| 739 | 1042067    | LEVER,HOPPER,RELEASE               |           | 2   |
| 740 | 1040607    | WHEEL,DETECT                       |           | 1   |





# EPSON STYLUS PHOTO 870

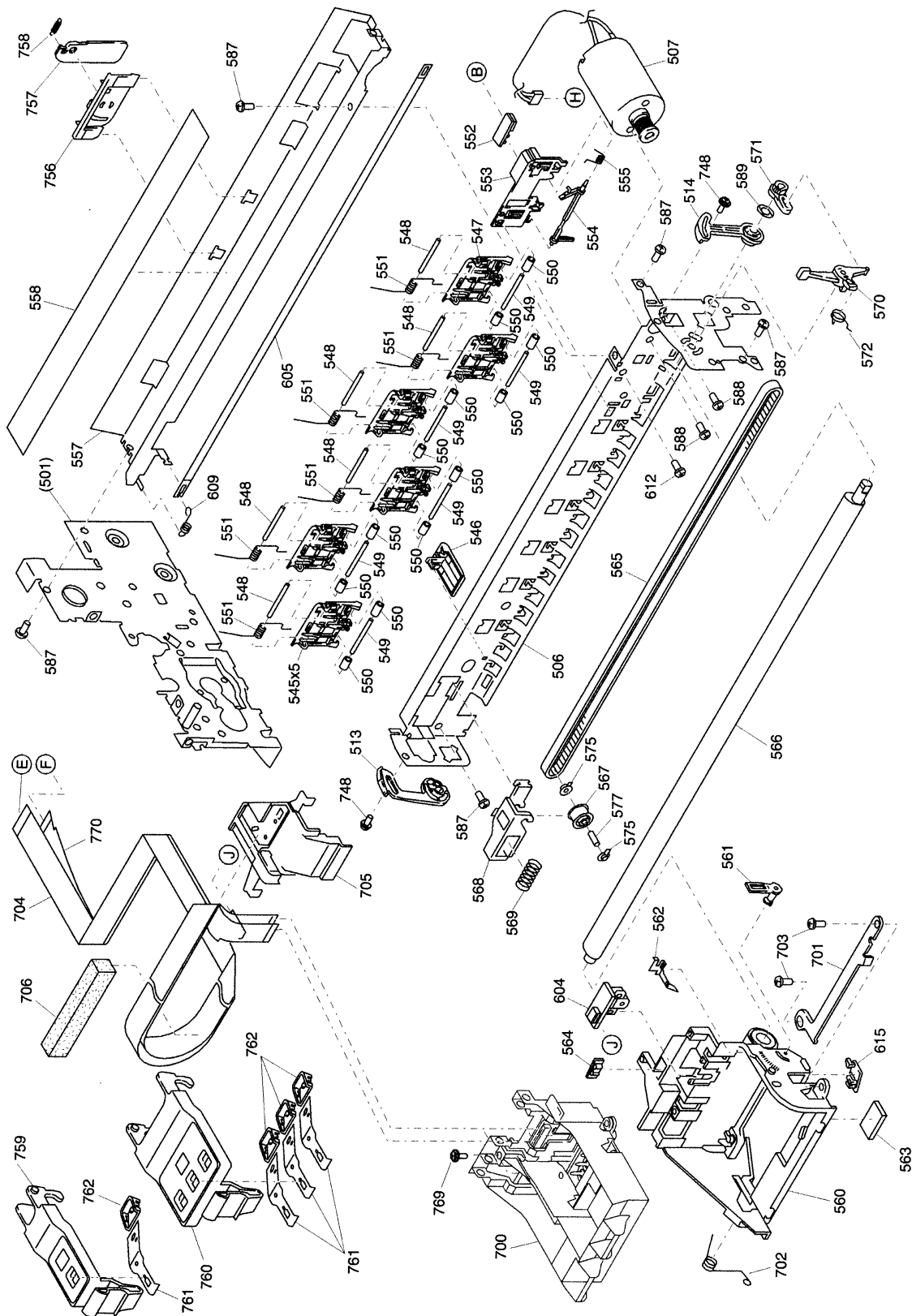
Page 7



STYLUS PHOTO 870 No.2

# EPSON STYLUS PHOTO 870

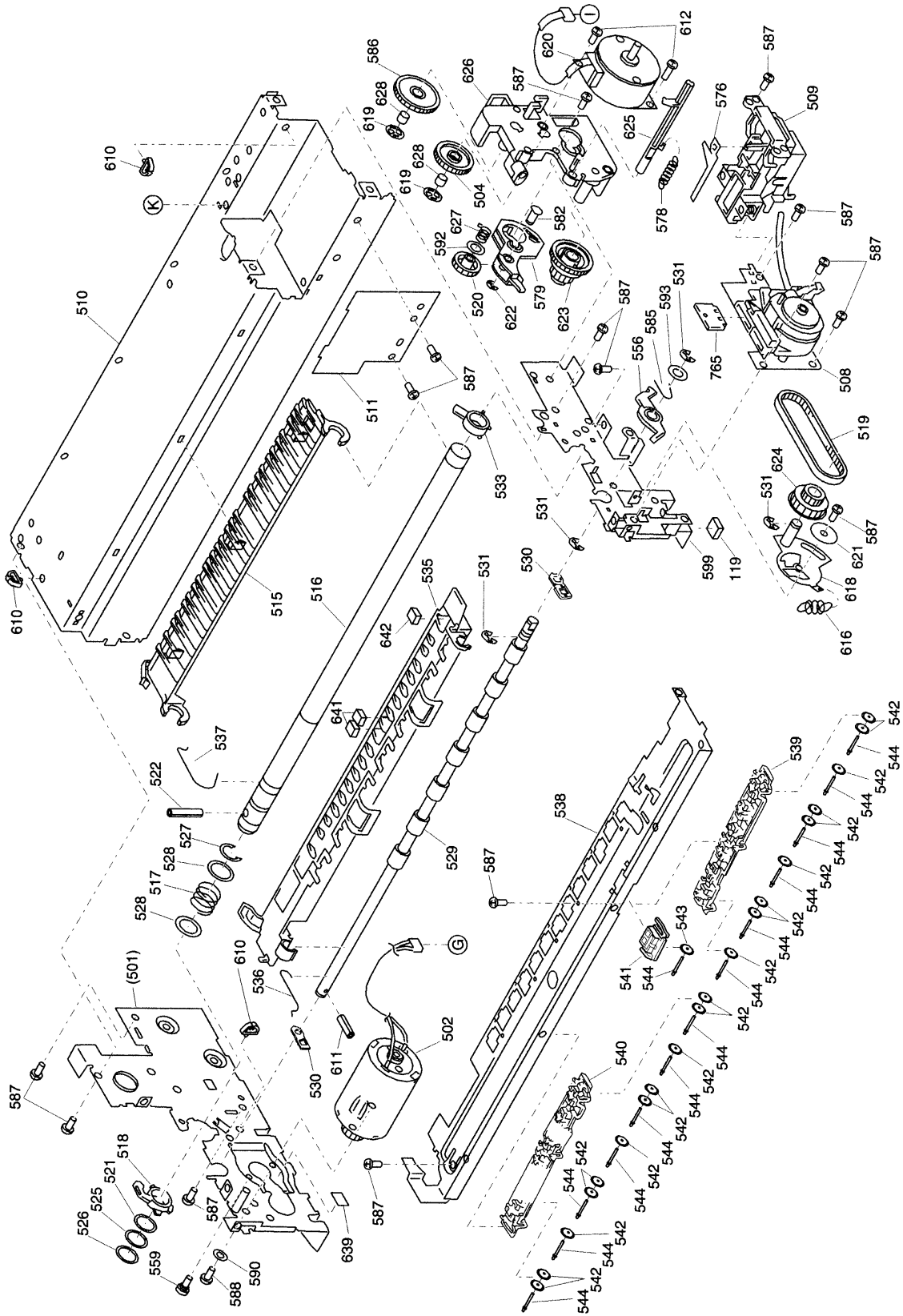
Page 8



STYLUS PHOTO 870 No.3



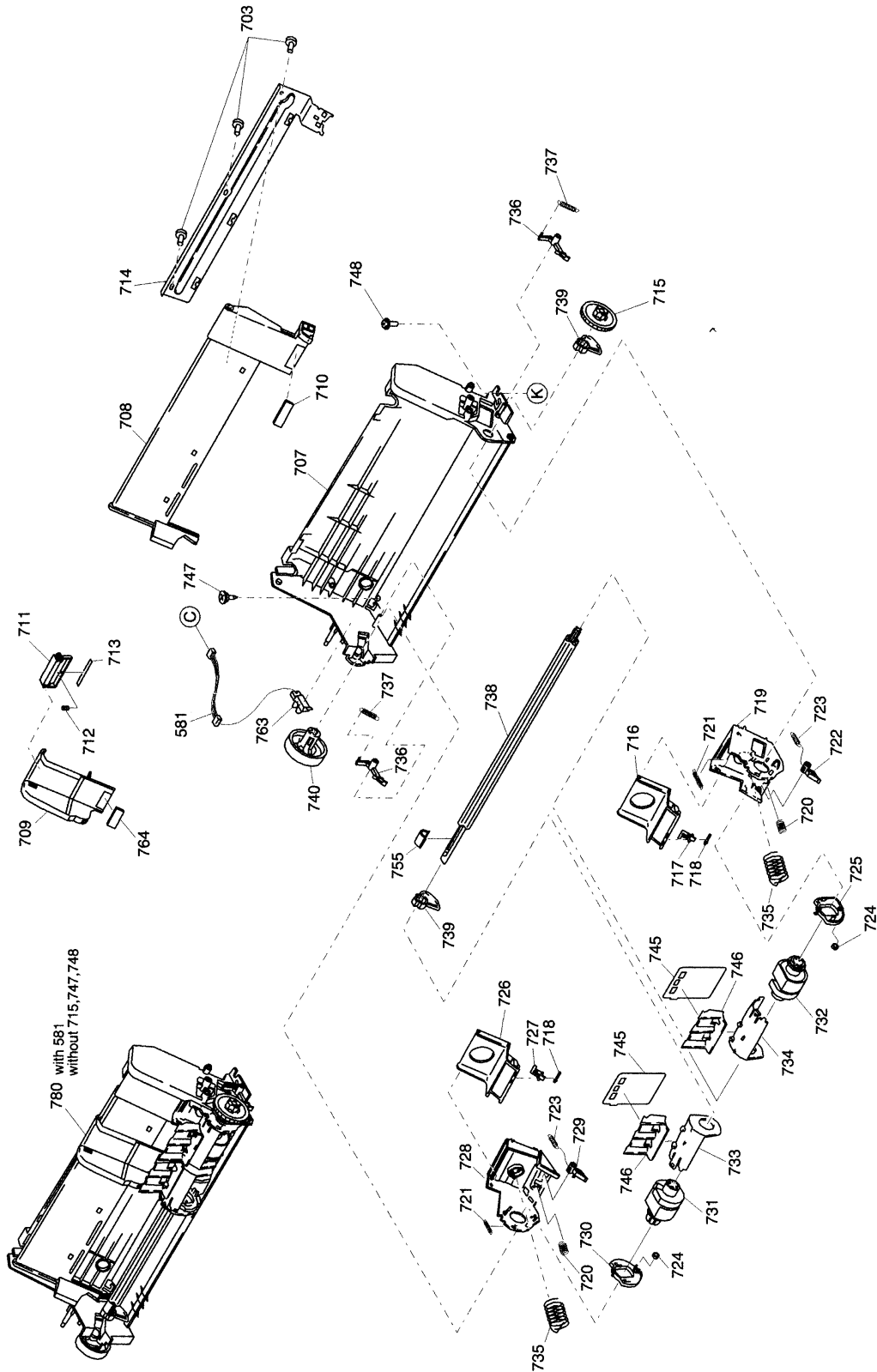
# EPSON STYLUS PHOTO 870



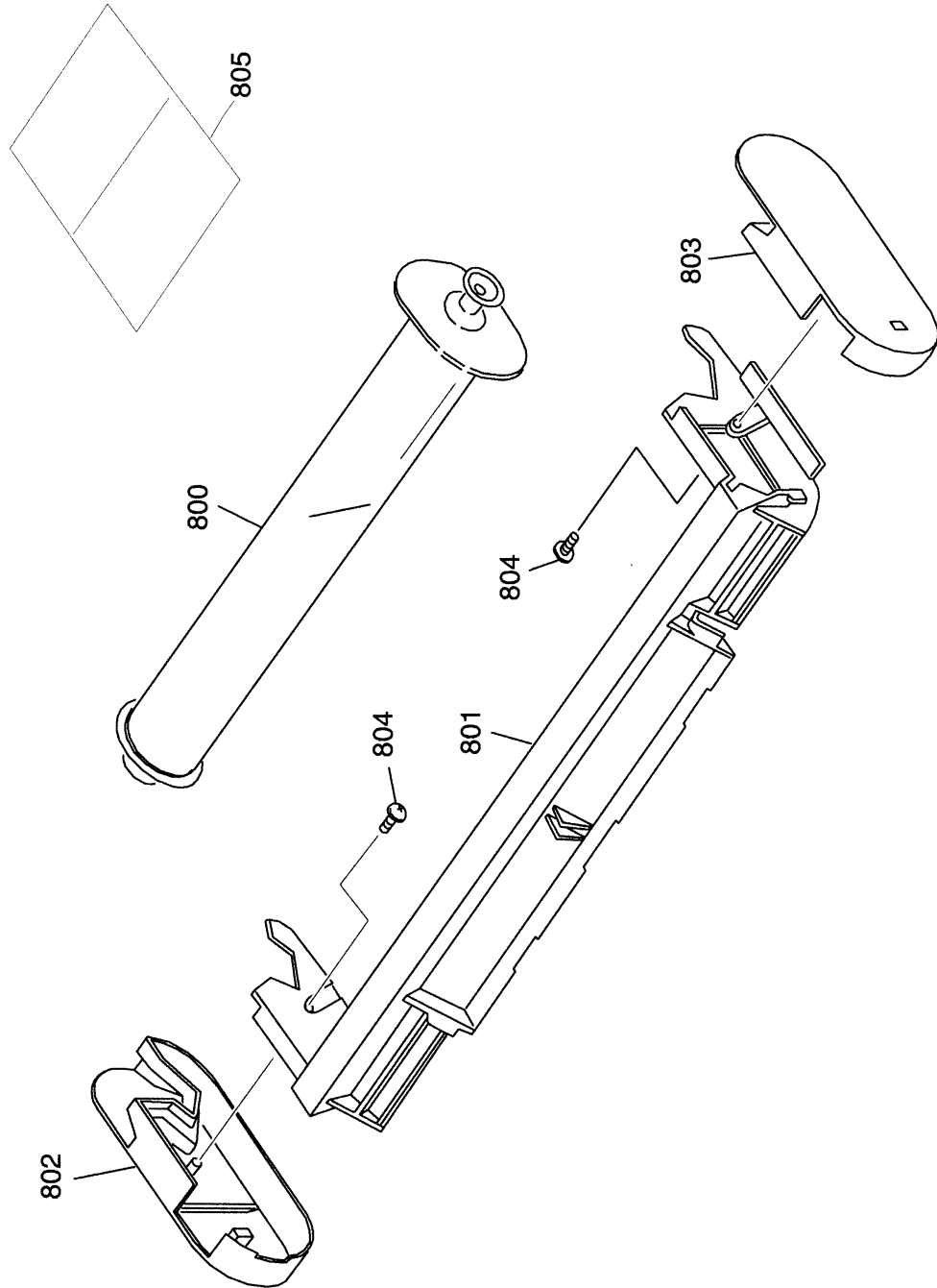
STYLUS PHOTO 870 No.4

# EPSON STYLUS PHOTO 870

Page 10

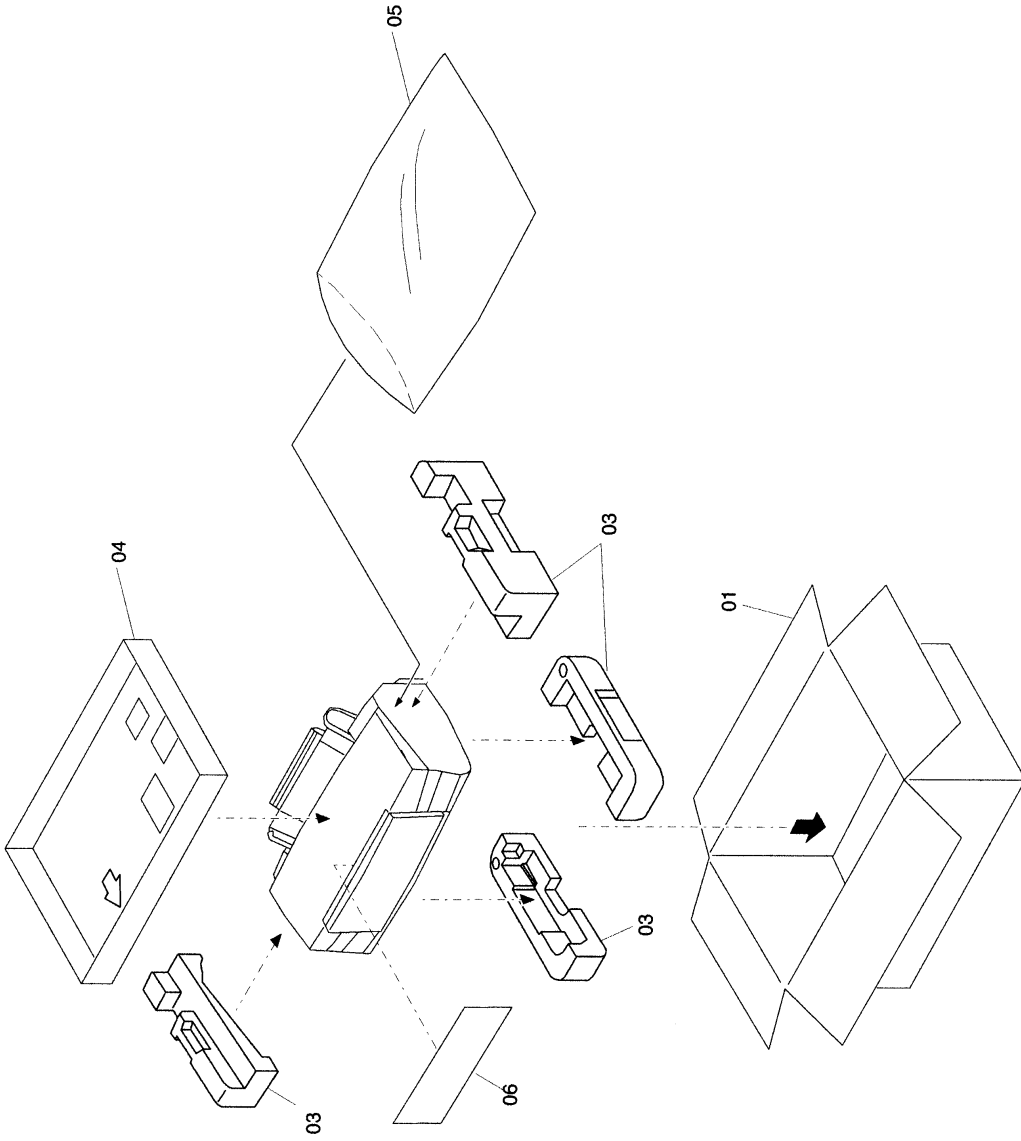


STYLUS PHOTO 870 No.5



# EPSON STYLUS PHOTO 870

Page 12



STYLUS PHOTO 870



