

EPSON

STYLUS PHOTO 870 SPECIAL EDITION

Bold type indicates important items

REF	PART NO	DESCRIPTION	SPEC	Page 1 QTY
100	1059538	HOUSING;LE		1
101	1059558	COVER ASSY.;LE		1
102	1059550	PAPER SUPPORT;LE		1
103	1059559	STACKER ASSY.;LE		1
104	1059560	PANEL ASSY.;LE		1
105	1049941	SHIELD PLATE,PANEL		1
106	1059549	HOUSING PANEL,LEFT;LE		1
108	1030669	GROUNDING PLATE		2
109	1030609	COVER,SHIELD PLATE,M/B,RIGHT		1
111	1030608	COVER,CABLE		1
112	1043515	COVER,INLET,UPPER;D		1
113	1043516	COVER,INLET,LOWER;D		1
114	1048900	SHIELD PLATE,M/B		1
115	1060295	LOGO PLATE;D		1
116	1059540	HOUSING,SUPPORT,RIGHT;LE		1
117	1059541	HOUSING,SUPPORT,LEFT;LE		1
119	1047689	FOOT		4
121	B010103311	C.P.SCREW	M3X6	3
122	B300204211	C.B.S. SCREW	M3X6	29
123	1032538	C.B.(O) SCREW,4X5,F/ZG		1
124	B300204411	C.B.S. SCREW	M3X10	4
125	1005019	C.B.P-TITE SCREW,3X8,F/ZN	M3X8 F/ZN	6
130	1059557	BUTTON,CSIC;LE		1
131	1040616	COVER,CABLE;B		1
132	1040649	LOCK,STACKER		1
133	1040650	COMPRESSION SPRING,2.94		1
134	1052176	TUBE,LENS		1
135	1059548	BUTTON,PS;LE		1
136	1049939	OPTICAL TUBE		1
181	1060297	LABEL-CAUTION;C		1
187	1051220	LABEL,ACCESSORY;F		1
200	2032533	BOARD ASSY.,MAIN	5590A,STD(C304 SONY DAC)	1
300	2032165	BOARD ASSY.,POWER SUPPLY	5575A,STANDARD	1
330	2032537	WIRE HARNESS		1
400	2006741	POWER CABLE,BS31303SA-SR-10A	240V	1
401	2018028	HARNESS	220V/230V/240V	1
450	2032535	BOARD ASSY.,PANEL	5591A,STANDARD(C296/C304)	1
500	2033453	PRINTER MECH.(ASP)M4T10-100		1
501	1053390	FRAME ASSY,LEFT;B		1
502	2033351	MOTOR ASSY.,PF	15.9W,DC	1
504	1048835	COMBINATION GEAR,12,22.4		1
505	1048874	FRAME,RIGHT,FRONT		1
506	1051372	FRAME,UPPER;B		1
507	2033350	MOTOR ASSY.,CR	14.7W,DC	1
508	1048750	PUMP ASSY.		1
509	1058816	CAP ASSY.;C		1
510	1048877	FRAME,LOWER		1
511	1050768	SHEET,PROTECTION,INK		1
512	1048876	FRAME,FRONT		1
513	1030392	BUSHING,PARALL ADJUST,LEFT		1
514	1030393	BUSHING,PARALL ADJUST,RIGHT		1
515	1048825	PAPER GUIDE,REAR		1
516	1048740	ROLLER,PF		1
517	1030957	COMPRESSION SPRING,5.85		1
518	1037093	BUSHING,12,LEFT		1
519	1048804	TENSION BELT,PUMP TRANSMISSION		1
520	1048834	SPUR GEAR,15.2		1
521	1030975	SPACER,C-RING		1
522	1032301	SCALLOP SPRING PIN-AW,2X16,F/B		1
524	1048928	SPUR GEAR,76		1
525	1037094	SPACER,FASTEN,ROLLER,PF		1
526	1037095	SPACER,FASTEN,ROLLER,PF;B		1
527	1031164	C-RING		1
528	1038159	PLAIN WASHER,12.2X0.5X17		2
529	1048742	ROLLER ASSY.,EJECT		1
530	1048829	BUSHING,6		2
531	B150300711	RETAINING RING	TYPE-E(4)	4
532	1048929	SPUR GEAR,28		1
533	1030403	BUSHING,12,RIGHT		1
534	1030971	PLAIN WASHER,4.1X0.5X6.5		2
535	1048824	PAPER GUIDE,FRONT		1
536	1042582	GROUNDING WIRE,EJ		1

EPSON

STYLUS PHOTO 870 SPECIAL EDITION

Page 2

REF	PART NO	DESCRIPTION	SPEC	QTY
537	1048885	GROUNDING SPRING,PF		1
538	1048878	FRAME,PAPER EJECT		1
539	1042338	HOLDER,STAR WHEEL,RIGHT		1
540	1042339	HOLDER,STAR WHEEL,LEFT		1
541	1032723	HOLDER,STARWHEEL,FRONT		1
542	1055960	STAR WHEEL ASSY.,8		20
543	1033652	STAR WHEEL,8;B		1
544	1055160	ROD SPRING,STAR WHEEL;B		14
545	1030408	PAPER GUIDE,UPPER		5
546	1030414	PAPER GUIDE,LEFT		1
547	1032646	PAPER GUIDE,RIGHT		1
548	1030968	SHAFT,PAPER GUIDE,UPPER		6
549	1030969	SHAFT,ROLLER,DRIVEN		6
550	1038961	ROLLER,DRIVEN;D		12
551	1030956	TORSION SPRING,117.6		6
552	2022329	CIRCUIT ASSY,PE		1
553	1048827	HOLDER,PE		1
554	1048826	LEVER,PE		1
555	1030958	TORSION SPRING,0.22		1
556	1048816	LEVER,CR,LOCK		1
557	1048879	GUIDE PLATE,CR		1
558	1032719	SHEET,CABLE		1
559	1050769	SCREW,MOUNT,PF		1
560	1050332	CARRIAGE ASSY		1
561	1030380	LEVER,ADJUST		1
562	1048884	GROUNDING PLATE,CR		1
563	1030382	OIL PAD		1
564	1030387	SLIDER,CR		1
565	1048736	TIMING BELT		1
566	1048737	SHAFT,CR,GUIDE		1
567	1050345	PULLEY,DRIVEN		1
568	1048810	HOLDER,PULLEY,DRIVEN		1
569	1049695	COMPRESSION SPRING,23.52		1
570	1037577	LEVER,PG		1
571	1030395	LEVER,PG,SUPPORT		1
572	1048889	TORSION SPRING,63.7		1
574	1048930	COMBINATION GEAR,13.5,30		1
575	1050346	BUSHING,PULLEY,DRIVEN		2
576	1034669	POROUS PAD,SLIDER,CAP		1
577	1050347	SHAFT,PULLEY,DRIVEN		1
578	1048907	EXTENSION SPRING,0.618		1
579	1048833	LEVER,PLANET		1
580	2028815	HARNESS,PE		1
581	2028817	HARNESS,ASF		1
582	1048721	SHAFT,SPUR GEAR,PLANET		1
585	1048912	U-TYPE SPRING,5.2X0.13X10,S/NA		1
586	1048836	COMBINATION GEAR,14,28		1
587	B300204211	C.B.S. SCREW	M3X6	27
588	B010103311	C.P.SCREW	M3X6	2
589	B101254590	LEAF SPRING	6.2X0.15X11	1
590	1017597	PLAIN WASHER,3.3X0.5X8,F/UC		1
591	1043627	C.B.P-TITE,2.5X5,F/ZN		1
592	1048909	PLAIN WASHER,6.2*0.2*9,L/NA		1
593	1048890	PLAIN WASHER,5.1X0.7X11,S/NA		1
594	1048893	PLAIN WASHER,10.7X0.5X15.5,L/NA		1
599	1048881	FRAME,MIDDLE		1
603	1048913	TAPE,D50		1
604	1048918	BOARD ASSY.,ENCODER		2
605	1048920	SCALE,CR		1
606	1048922	SCALE,PF		1
607	1048898	MOUNTING PLATE,SCALE		1
608	2032181	FFC,ENCODER		1
609	1048888	EXTENSION SPRING,1.494		1
610	1049348	MINI CLAMP,UAMS-05SN		3
611	1048957	SCALLOP SPRING PIN-AW,2X10,F/B		1
612	1005019	C.B.P-TITE SCREW,3X8,F/ZN	M3X8 F/ZN	3
613	1048822	MOUNTING PLATE,BOARD ASSY.		1
614	1048875	FRAME,RIGHT,REAR		1
615	1049546	PLATE,SLIDER,CLEANER		1
616	1048908	EXTENSION SPRING,7.37		1
618	1048910	LEVER ASSEMBLY,COMBINATION GEAR		1
619	1050767	SET RING,D8.8		2

EPSON

STYLUS PHOTO 870 SPECIAL EDITION

Page 3

REF	PART NO	DESCRIPTION	SPEC	QTY
620	2032192	MOTOR ASSY,ASF		1
621	B100165911	P.W.,3.1X0.5X12,F/ZN		1
622	B150300611	RETAINING RING	TYPE-E(3)	1
623	1048839	COMBINATION GEAR,17.19,25.6		1
624	1048840	COMBINATION GEAR,12,22.92		1
625	1048842	LEVER,DE,LOCK		1
626	1048832	MOUNTING PLATE,MOTOR,ASF		1
627	1048906	COMPRESSION SPRING,3.944		1
628	1050765	FERRULE,D3.6		2
639	B040302511	CUP SCREW	M3X6 F/ZN	1
641	1051049	POROUS PAD,PAPER GUIDE FRONT		2
642	1051050	POROUS PAD,PAPER GUIDE FRONT,RIGHT		1
645	1053940	PLAIN WASHER,2.1X0.25X5.5,L/NA		6
700	F074000	PRINT HEAD		1
701	1050333	FASTENER,HEAD		1
702	1050334	TORSION SPRING,28.4		1
703	1024130	C.B.P-TITE SCREW,3X6,F/ZN		5
704	2032847	CABLE,HEAD,A		1
705	1050331	HOLDER,CABLE		1
706	1033220	SPACER,CABLE HEAD		1
707	1043447	FRAME,ASF;C		1
708	1043525	HOPPER;B		1
709	1050261	EDGE GUIDE,MI		1
710	1040606	CORK		1
711	1030429	SLIDER,EDGE GUIDE		1
712	1030960	COMPRESSION SPRING,3.23		1
713	1033016	PAD,BRAKE,EDGE GUIDE		1
714	1040645	REINFORCEMENT PLATE,HOPPER		1
715	1048838	SPUR GEAR,32		1
716	1040661	PAD ASSY.,RIGHT		1
717	1030450	LEVER,PAD,RELEASE,RIGHT		1
718	1030420	ROD SPRING,HOLDER,PAD		2
719	1040608	HOLDER,EDGE GUIDE,RIGHT		1
720	1036867	COMPRESSION SPRING,1.17		2
721	1036874	EXTENSION SPRING,0.62		2
722	1040595	LEVER,PAPER RETURN,RIGHT		1
723	1040646	EXTENSION SPRING,0.294		2
724	1040596	ROLLER,LD,SUPPORT		2
725	1040648	HOLDER,ROLLER,LD,SUPPORT,RIGHT		1
726	1040660	PAD ASSY.,LEFT		1
727	1030449	LEVER,PAD,RELEASE,LEFT		1
728	1040602	HOLDER,EDGE GUIDE,LEFT		1
729	1040594	LEVER,PAPER RETURN,LEFT		1
730	1040647	HOLDER,ROLLER,LD,SUPPORT,LEFT		1
731	1040658	ROLLER ASSY.,LD,LEFT		1
732	1040659	ROLLER ASSY.,LD,RIGHT		1
733	1040597	COVER,ROLLER,LD,LEFT		1
734	1040598	COVER,ROLLER,LD,RIGHT		1
735	1036868	COMPRESSION SPRING,1.961		2
736	1038211	LEVER,FASTEN,EDGE GUIDE;B		2
737	1030959	EXTENSION SPRING,0.088		2
738	1040601	SHAFT,ROLLER,LD		1
739	1042067	LEVER,HOPPER,RELEASE		2
740	1040607	WHEEL,DETECT		1
742	1035668	C.C.P-TITE SCREW,3X8,F/ZN		1
745	1040599	SHEET,PAPER FEED		2
746	1040600	HOLDER,SHEET,PAPER FEED		2
747	1005416	SHAFT,MOUNT,CR		1
748	1032300	C.P.S-TITE(P4),3X6,F/ZN		3
751	1048790	PAPER GUIDE,LOWER		1
752	1048733	POROUS PAD,INK EJECT,LARGE		2
753	1048778	TRAY,POROUS PAD		1
754	1048883	SPACER,TRAY		1
755	1031178	BUSHING,FASTEN,SHAFT,LEFT		1
756	1037724	PAPER SUPPORT,,UPPER		1
757	1048831	HOLDER,PAPER SUPPORT,UPPER		1
758	1036849	EXTENSION SPRING,0.29		1
759	1050335	COVER,CARTRIDGE,BLACK		1
760	1050336	COVER,CARTRIDGE,COLOUR		1
761	1050337	PLATE SPRING COVER,CARTRIDGE		4
762	1050338	COVER,PLATE SPRING,CARTRIDGE		4
763	2032842	DETECTOR,HP;E	4V,50MA,100MW	1

EPSON

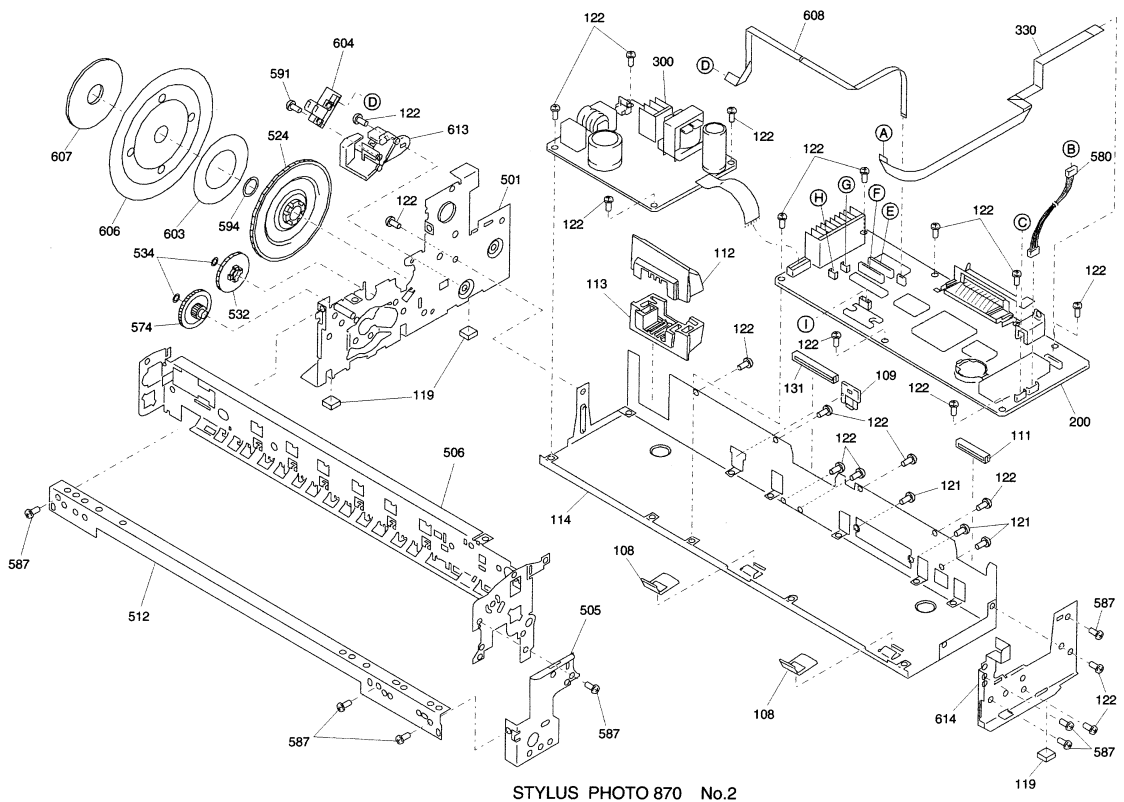
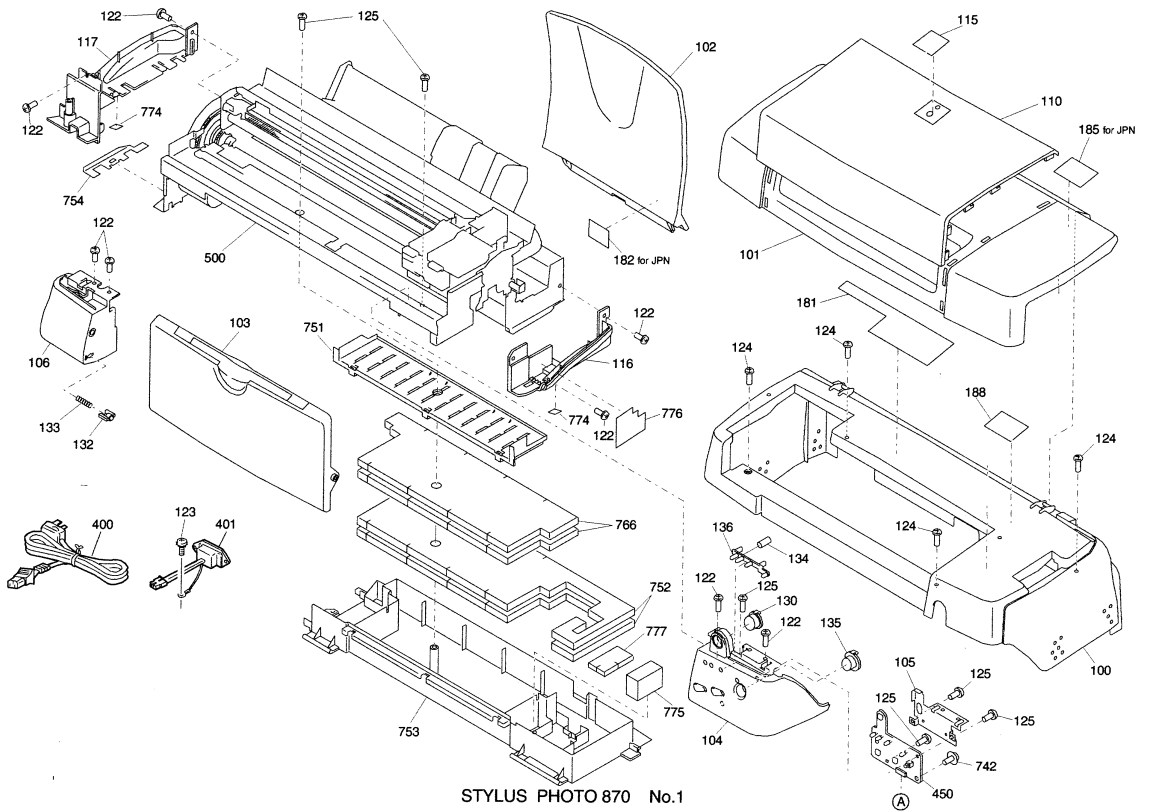
STYLUS PHOTO 870 SPECIAL EDITION

Page 4

REF	PART NO	DESCRIPTION	SPEC	QTY
764	1043828	CORK;B		1
765	1050580	CLEANER HEAD,ASP		1
766	1048734	POROUS PAD,INK EJECT,SMALL		2
769	1050385	+,BIND B-TITE SEMS W2,2.5X6,F/ZB		1
770	2032848	CABLE,HEAD,B		1
774	1053563	DAMPER,SUPPORT;B		2
775	1052326	POROUS PAD,FRAME,MIDDLE		1
776	1050505	SHEET,INK STOPPER		1
777	1058796	POROUS PAD,INK EJECT,PUMP		1
800	1059561	HOLDER ASSY;ROLL PAPER;LE		1
801	1059553	FRAME,ROLL PAPER,FRONT;LE		1
802	1059552	FRAME,ROLL PAPER,LEFT;LE		1
803	1059551	FRAME,ROLL PAPER,RIGHT;LE		1
804	B310204311	C.B.B. SCREW	M3X8	2
805	1052398	SHEET,ROLL PAPER		1
806	1053906	SPACER		2
1	5010838	INDIVIDUAL BOX,EMO;A		1
2	5010840	OUTER CARTON,EMO		1
3	5009401	PAD SET,PRINTER		1
4	5009406	PAD,ACCESSORY		1
5	X680634010	PLASTIC BAG	440X730X0.04	1
6	5009176	PLASTIC SHEET,260X80X0.06T		1
7	5009975	INDIVIDUAL BOX FOR ACCESSORY		1
N/A	1051012	INK CARTRIDGE,BLACK,,AS		1
N/A	1051013	INK CARTRIDGE,COLOUR,,AS		1
N/A	1053159	SPECIAL COATED PAPER,007,		1
N/A	3002936	APPLICATION CD-ROM,M		1
N/A	3003089	APPLICATION CD-ROM,M		1
N/A	3003540	SOFTWARE CD-ROM,E		1
N/A	4011307	SETTING UP MANUAL		1
N/A	4011308	UNPACKING SHEET		1
N/A	4011643	SUPPLEMENT		1
N/A	4011732	USER'S GUIDE		1
N/A	4011956	SUPPLEMENT		1
N/A	4012956	USER'S GUIDE		1
END				

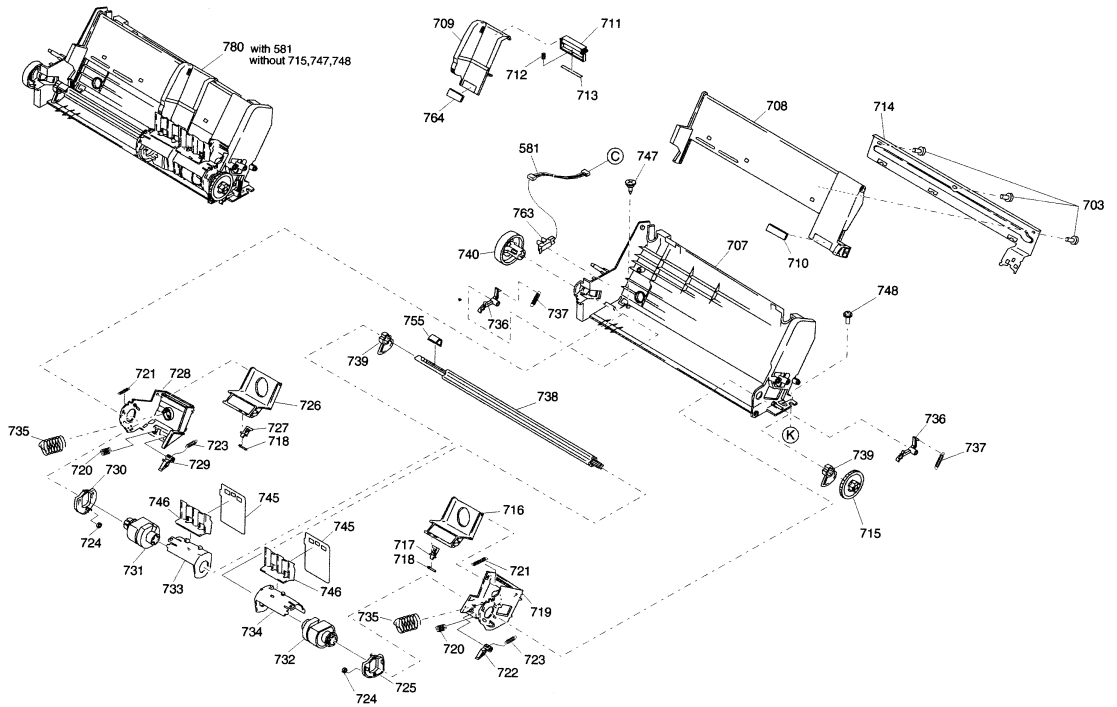
EPSON STYLUS PHOTO 870 SPECIAL EDITION

Page 5

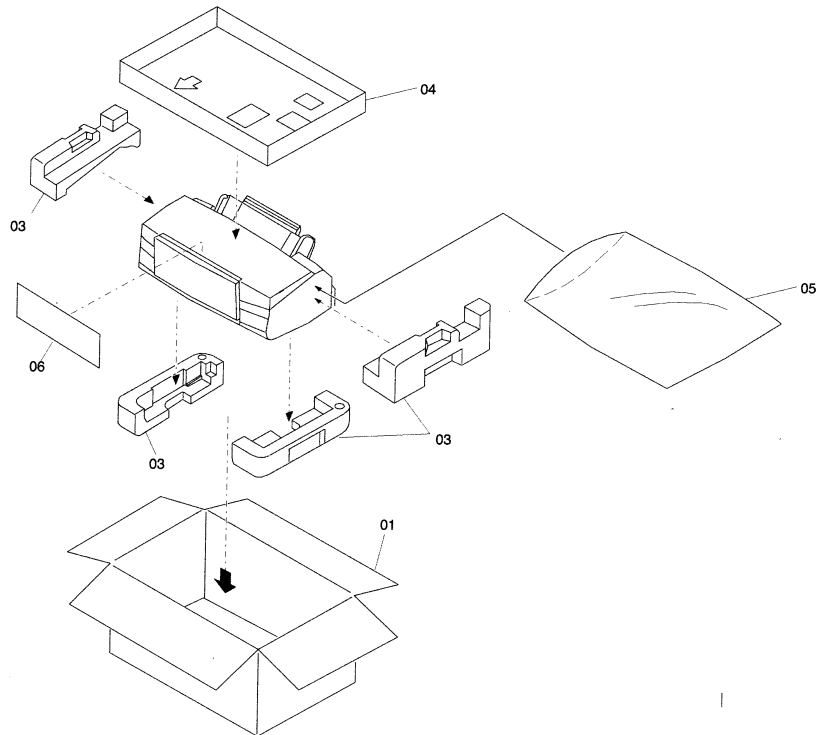


EPSON STYLUS PHOTO 870 SPECIAL EDITION

Page 7



STYLUS PHOTO 870 No.5

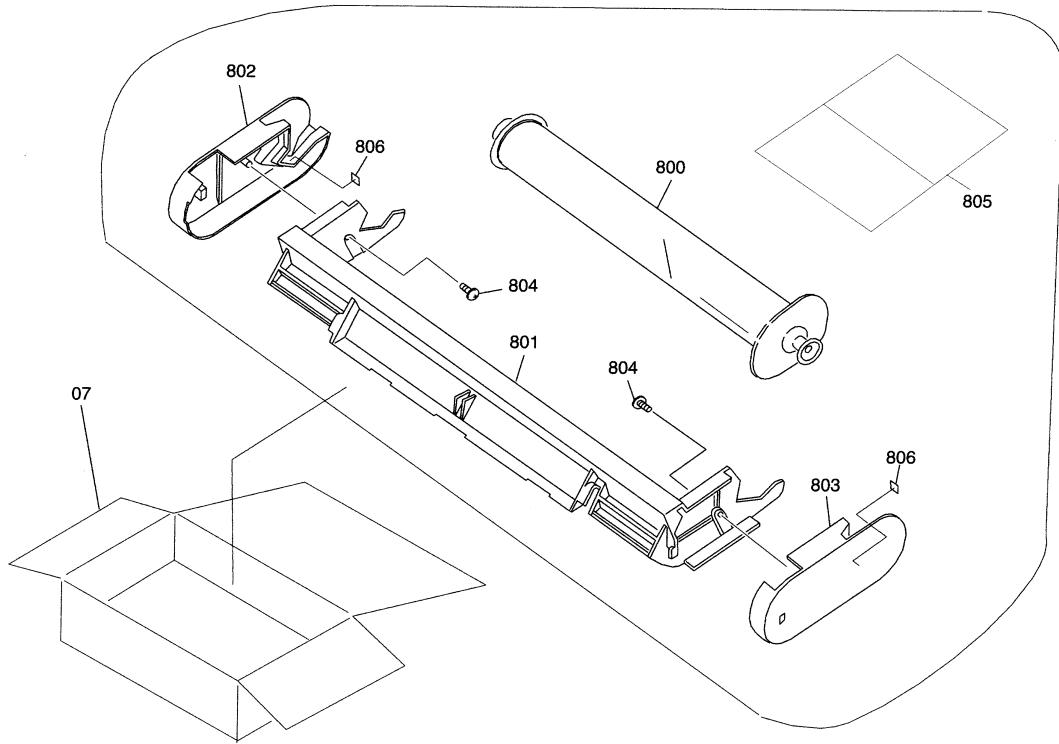


STYLUS PHOTO 870 No.6

EPSON

STYLUS PHOTO 870 SPECIAL EDITION

Page 8



STYLUS PHOTO 870

No.7