

EPSON STYLUS PHOTO 875DC

Page 1

REF	PART NO.	DESCRIPTION	SPEC.	QTY	RRP£	RRP\$
100	1050506	HOUSING		1	4.47	7.38
101	1050507	HOUSING,PRINTER,LOWER		1	2.69	4.44
102	1040615	PAPER SUPPORT;B		1	1.54	2.54
103	1049943	STACKER ASSY.		1	3.85	6.35
104	1050579	PANEL ASSY.		1	2.31	3.81
105	1050515	SHIELD PLATE,PANEL		1	0.77	1.27
106	1049942	HOUSING,PANEL,LEFT		1	0.77	1.27
108	1030669	GROUNDING PLATE		2	0.77	1.27
109	1030610	COVER,SHIELD PLATE,M/B,LEFT		1	0.77	1.27
110	1049929	COVER,PRINTER,SUPPORT		1	2.31	3.81
111	1030608	COVER,CABLE		1	0.77	1.27
112	1037313	COVER,INLET,UPPER;B		1	0.77	1.27
113	1037314	COVER,INLET,LOWER;B		1	0.77	1.27
114	1053783	SHIELD PLATE,M/B		1	2.31	3.81
115	1053917	LOGO PLATE;B		1	0.77	1.27
116	1050508	HOUSING,SUPPORT,RIGHT		1	0.77	1.27
117	1049931	HOUSING,SUPPORT,LEFT		1	1.15	1.90
119	1047689	FOOT		4	0.77	1.27
122	B300204211	C.B.S. SCREW	M3X6	49	0.77	1.27
123	1032538	C.B.(O) SCREW,4X5,F/ZG		1	0.77	1.27
124	B300204411	C.B.S. SCREW	M3X10	4	0.77	1.27
125	1005019	C.B.P-TITE SCREW,3X8,F/ZN	M3X8 F/ZN	7	0.77	1.27
126	1035668	C.C.P-TITE SCREW,3X8,F/ZN		1	0.77	1.27
130	1049940	BUTTON,CSIC		1	0.77	1.27
131	1040616	COVER,CABLE;B		1	0.77	1.27
132	1040649	LOCK,STACKER		1	0.77	1.27
133	1040650	COMPRESSION SPRING,2.94		1	0.77	1.27
134	1052176	TUBE,LENS		1	0.77	1.27
135	1049938	BUTTON,PS		1	0.77	1.27
136	1049939	OPTICAL TUBE		1	0.77	1.27
137	1050511	HOUSING,SUPPORT,PG LEVER		1	0.77	1.27
138	1050512	HOUSING,SUPPORT,PC CARD		1	0.77	1.27
139	1050513	LENS,PC CARD		1	0.77	1.27
140	1050514	COVER,PC CARD		1	0.77	1.27
141	1050516	SHIELD PLATE,P/B,LOWER		1	2.31	3.81
142	1050517	SHIELD PLATE,P/B,UPPER		1	1.15	1.90
143	1050521	TORSION SPRING,0.4		1	0.77	1.27
144	1050533	HEXAGON M3,5.5ASB-309		6	0.77	1.27
145	1051304	GROUNDING PLATE,P/B		1	0.77	1.27
146	1052886	GASKET,PC CARD		2	0.77	1.27
147	2032993	CONNECTOR	8,,	1	0.77	1.27
148	X510080050	LOCKING WIRE SADDLE		1	0.77	1.27
149	B010109511	C.P.SCREW	M3X4	1	0.77	1.27
181	1051215	LABEL,CAUTION;B		1	0.77	1.27
189	1053785	LABEL,ACCESSORY;C		1	0.77	1.27
200	2033820	BOARD ASSY.,MAIN	5590D,STANDARD(C364 SONY DAC)	1	109.26	180.28
B2	2032336	BEADS CORE		1	0.77	1.27
B3	2032336	BEADS CORE		1	0.77	1.27
BAT1	2031511	BATTERY HOLDER		1	0.77	1.27
BAT1	X505000700	LITHIUM BATTERY	CR2032	1	1.54	2.54
C113	2031509	ALUM.ELYTIC.CAP.	TP,100MF,50V,+20%	1	0.77	1.27
C118	2031509	ALUM.ELYTIC.CAP.	TP,100MF,50V,+20%	1	0.77	1.27
C53	2032718	ALUM.ELYTIC.CAP.	:TP,100UF,10V,;+20%	1	0.77	1.27
C66	2031508	ALUM.ELYTIC.CAP.	TP,47MF,16V,+20%	1	0.77	1.27
C74	2031510	ALUM.ELYTIC.CAP.	TP,10MF,50V,+20%	1	0.77	1.27
C79	2031509	ALUM.ELYTIC.CAP.	TP,100MF,50V,+20%	1	0.77	1.27
C85	2031506	ALUM.ELYTIC.CAP.	TP,220MF,10V,+20%	1	0.77	1.27
C87	2031509	ALUM.ELYTIC.CAP.	TP,100MF,50V,+20%	1	0.77	1.27

EPSON STYLUS PHOTO 875DC

REF	PART NO.	DESCRIPTION	SPEC.	QTY	RRP£	RRP\$
CN10	2027959	CONNECTOR		1	0.77	1.27
CN11	2023034	CONNECTOR	12,	1	0.77	1.27
CN12	2024316	CPNNECTOR	5,1MM	1	0.77	1.27
CN13	2003678	CONNECTOR	2,	1	0.77	1.27
CN14	X600440120	CONNECTOR	2 PIN	1	0.77	1.27
CN3	2032836	CONNECTOR	6,0,	1	1.54	2.54
CN5	2022864	CONNECTOR	3,	1	0.77	1.27
CN6	2007097	CONNECTOR	3,	1	0.77	1.27
CN7	X600720440	CONNECTOR	4P	1	0.77	1.27
CN8	2032148	CONNECTOR	21,1MM,	1	0.77	1.27
CN9	2032148	CONNECTOR	21,1MM,	1	0.77	1.27
CR2	2032717	CRYSTAL	24MHZ	1	1.15	1.90
CRM1	2027833	CR NETWORK		1	0.77	1.27
CRM2	2027833	CR NETWORK		1	0.77	1.27
CRU1	2027799	CRYSTAL OSCILLATOR		1	3.08	5.08
D10	2025785	DIODE		1	0.77	1.27
D11	2025785	DIODE		1	0.77	1.27
D14	2025785	DIODE		1	0.77	1.27
D15	2025785	DIODE		1	0.77	1.27
D16	2021266	DIODE	TP,60V,0.71A	1	0.77	1.27
D2	2002872	DIODE	30V 70MA	1	0.77	1.27
D3	2012708	DIODE	35V,225MA	1	0.77	1.27
D4	2025785	DIODE		1	0.77	1.27
D5	2025785	DIODE		1	0.77	1.27
D6	2025785	DIODE		1	0.77	1.27
D7	2025785	DIODE		1	0.77	1.27
DM1	2027798	DIODE ARRAY		1	0.77	1.27
DM2	2014597	DIODE ARRAY	40V,1A,0MW,	1	0.77	1.27
F1	2032719	FUSE	,72V,1.4A,	1	0.77	1.27
HT1	1050192	HEAT SINK		1	0.77	1.27
IC10	2032152	ANALOGUE IC	DIP,30,CXA3528S	1	6.36	10.49
IC12	2032136	HIC	28	1	3.46	5.71
IC14	2032398	SHUNT REGULATOR	SOP,8	1	1.15	1.90
IC15	2033209	MICROCONTROLLER	QFP,,128,HD6472357F24	1	22.50	37.13
IC18	2032135	HIC	14	1	1.92	3.17
IC19	2032134	HIC	24	1	3.08	5.08
IC2	2034774	MASK ROM	DIP,8MBIT,95N/SEC,42,	1	19.52	32.21
IC2	X630114230	IC SOCKET	42 PIN	1	0.77	1.27
IC20	2032918	MICROCONTROLLER	:QFP,,128,HD6432323***F	1	8.58	14.16
IC21	2031504	I/F IC	14	1	1.15	1.90
IC22	2027989	OPAMP		1	1.15	1.90
IC23	2012489	COMPARATOR	8	1	0.77	1.27
IC24	2031458	TTL IC	TSOP,14,	1	0.77	1.27
IC25	2027794	OPEAMP	SOP,8	1	1.15	1.90
IC3	2031501	DRAM	:OTHER,:16MBIT,60,44	1	11.58	19.11
IC5	2027831	TIMER IC		1	2.69	4.44
IC6	2032154	EEP-ROM	SOP,,,8	1	2.31	3.81
IC7	2031503	D/A CONVERTER	SOP,8,M62090FP	1	0.77	1.27
IC8	2032922	ASIC	:QFP,240,HG73C066BFM	1	13.59	22.42
IC9	2028575	REGULATOR	SOP	1	1.15	1.90
Q1	2019965	TRANSISTOR	-50V,-100MA,200MW,0,0,	1	0.77	1.27
Q2	2017978	TRANSISTOR	50V,30MA,200MW,0,0,	1	0.77	1.27
Q3	2032720	NPN TRANSISTOR	:BL,,,,,	1	0.77	1.27
Q3,Q4	B010303411	C.B.SCREW	M3X8	2	0.77	1.27
Q4	2032721	PNP TRANSISTOR	:BL,,,,,	1	0.77	1.27
RM2	2021632	CHIP RESISTOR ARRAY	TP,33KOHM,1/16W,+5%,	1	0.77	1.27
RM4	2021624	CHIP RESISTOR ARRAY	TP,100OHM,1/16W,+5%,	1	0.77	1.27
RM5	2021624	CHIP RESISTOR ARRAY	TP,100OHM,1/16W,+5%,	1	0.77	1.27

EPSON STYLUS PHOTO 875DC

REF	PART NO.	DESCRIPTION	SPEC.	QTY	RRP£	RRP\$
250	2034155	BOARD ASSY.,PC MCIA (READER)	5596B,	1	75.46	124.51
C43	2031509	ALUM.ELYTIC.CAP.	TP,100MF,50V,+20%	1	0.77	1.27
C46	2031508	ALUM.ELYTIC.CAP.	TP,47MF,16V,+20%	1	0.77	1.27
CN1	2027835	CONNECTOR		1	0.77	1.27
CN2	2032875	CONNECTOR	4,0.8,	1	1.15	1.90
CN3	1043112	C.B.SCREW,2X10,F/ZN		2	0.77	1.27
CN3	2032877	CONNECTOR	,1.27MM,	1	3.08	5.08
CN3	2035221	CONNECTOR	68,1.27MM,	1	3.85	6.35
CN6	2032872	CONNECTOR	8,2MM,	1	0.77	1.27
CRU1	2027799	CRYSTAL OSCILLATOR		1	3.08	5.08
CRU2	2032881	OSCILLATOR	33MHZ	1	3.46	5.71
DM1	2027798	DIODE ARRAY		1	0.77	1.27
F1	2030886	FUSE	OTHERS,63V,0.8A,	1	0.77	1.27
F2	2033819	FUSE	,63V,1A,	1	0.77	1.27
FL1	2008239	EMI FILTER		1	1.92	3.17
FL2	2008239	EMI FILTER		1	1.92	3.17
IC1	2032874	MPU	:QFP,,160	1	15.70	25.91
IC10	2033154	EEP-ROM	SOP,1KBIT,10M/SEC,8	1	0.77	1.27
IC14	2032879	TTL IC	:SOP,14,	1	0.77	1.27
IC2	2032873	ASIC	:QFP,208,	1	9.51	15.69
IC4	2033054	D-RAM	,4MBIT,,44	1	6.33	10.44
IC5	2031651	USB HUB IC	QFP,48	1	8.65	14.27
IC6	2033569	COMPARATOR	SOP,16	1	5.40	8.91
IC8	2034011	FLASH ROM	OTHER,,	1	13.30	21.95
IC9	2033793	PERIPHERAL IC	SOP,,4	1	0.77	1.27
JP2	2023526	CONNECTOR	14,	1	0.77	1.27
LED1	2017886	LED	0V,0MA,0MW,	1	0.77	1.27
Q1	2019890	TRANSISTOR	50V,100MA,0MW,0,0,	1	0.77	1.27
Q2	2019890	TRANSISTOR	50V,100MA,0MW,0,0,	1	0.77	1.27
Q3	2026133	TRANSISTOR	50V,100MA,200MW,600,100,	1	0.77	1.27
QF1	2028576	FET	BL	1	0.77	1.27
RM1	2021620	CHIP RESISTOR ARRAY	TP,33OHM,1/16W,+5%,	1	0.77	1.27
RM10	2031650	CHIP RESISTOR ARRAY	TP,15K,1/16W,+5 %,4	1	0.77	1.27
RM11	2031650	CHIP RESISTOR ARRAY	TP,15K,1/16W,+5 %,4	1	0.77	1.27
RM12	2031650	CHIP RESISTOR ARRAY	TP,15K,1/16W,+5 %,4	1	0.77	1.27
RM13	2021620	CHIP RESISTOR ARRAY	TP,33OHM,1/16W,+5%,	1	0.77	1.27
RM14	2021620	CHIP RESISTOR ARRAY	TP,33OHM,1/16W,+5%,	1	0.77	1.27
RM15	2021620	CHIP RESISTOR ARRAY	TP,33OHM,1/16W,+5%,	1	0.77	1.27
RM16	2021620	CHIP RESISTOR ARRAY	TP,33OHM,1/16W,+5%,	1	0.77	1.27
RM17	2021620	CHIP RESISTOR ARRAY	TP,33OHM,1/16W,+5%,	1	0.77	1.27
RM18	2021620	CHIP RESISTOR ARRAY	TP,33OHM,1/16W,+5%,	1	0.77	1.27
RM19	2021620	CHIP RESISTOR ARRAY	TP,33OHM,1/16W,+5%,	1	0.77	1.27
RM2	2021620	CHIP RESISTOR ARRAY	TP,33OHM,1/16W,+5%,	1	0.77	1.27
RM20	2021620	CHIP RESISTOR ARRAY	TP,33OHM,1/16W,+5%,	1	0.77	1.27
RM21	2021620	CHIP RESISTOR ARRAY	TP,33OHM,1/16W,+5%,	1	0.77	1.27
RM22	2021620	CHIP RESISTOR ARRAY	TP,33OHM,1/16W,+5%,	1	0.77	1.27
RM23	2023270	CHIP RESISTOR ARRAY	TP,100KOHM,1/16 W,+5 %,4	1	0.77	1.27
RM24	2023270	CHIP RESISTOR ARRAY	TP,100KOHM,1/16 W,+5 %,4	1	0.77	1.27
RM25	2023270	CHIP RESISTOR ARRAY	TP,100KOHM,1/16 W,+5 %,4	1	0.77	1.27
RM26	2023270	CHIP RESISTOR ARRAY	TP,100KOHM,1/16 W,+5 %,4	1	0.77	1.27
RM27	2023270	CHIP RESISTOR ARRAY	TP,100KOHM,1/16 W,+5 %,4	1	0.77	1.27
RM28	2023270	CHIP RESISTOR ARRAY	TP,100KOHM,1/16 W,+5 %,4	1	0.77	1.27
RM29	2021620	CHIP RESISTOR ARRAY	TP,33OHM,1/16W,+5%,	1	0.77	1.27
RM3	2021620	CHIP RESISTOR ARRAY	TP,33OHM,1/16W,+5%,	1	0.77	1.27
RM30	2021620	CHIP RESISTOR ARRAY	TP,33OHM,1/16W,+5%,	1	0.77	1.27
RM31	2021620	CHIP RESISTOR ARRAY	TP,33OHM,1/16W,+5%,	1	0.77	1.27
RM32	2021620	CHIP RESISTOR ARRAY	TP,33OHM,1/16W,+5%,	1	0.77	1.27
RM33	2023270	CHIP RESISTOR ARRAY	TP,100KOHM,1/16 W,+5 %,4	1	0.77	1.27

EPSON STYLUS PHOTO 875DC

REF	PART NO.	DESCRIPTION	SPEC.	QTY	RRP£	RRP\$
RM34	2023270	CHIP RESISTOR ARRAY	TP,100KOHM,1/16 W,+5 %,4	1	0.77	1.27
RM35	2023270	CHIP RESISTOR ARRAY	TP,100KOHM,1/16 W,+5 %,4	1	0.77	1.27
RM36	2023270	CHIP RESISTOR ARRAY	TP,100KOHM,1/16 W,+5 %,4	1	0.77	1.27
RM37	2021620	CHIP RESISTOR ARRAY	TP,33OHM,1/16W,+5%,	1	0.77	1.27
RM38	2021620	CHIP RESISTOR ARRAY	TP,33OHM,1/16W,+5%,	1	0.77	1.27
RM39	2021620	CHIP RESISTOR ARRAY	TP,33OHM,1/16W,+5%,	1	0.77	1.27
RM4	2021620	CHIP RESISTOR ARRAY	TP,33OHM,1/16W,+5%,	1	0.77	1.27
RM40	2021620	CHIP RESISTOR ARRAY	TP,33OHM,1/16W,+5%,	1	0.77	1.27
RM41	2021620	CHIP RESISTOR ARRAY	TP,33OHM,1/16W,+5%,	1	0.77	1.27
RM42	2021620	CHIP RESISTOR ARRAY	TP,33OHM,1/16W,+5%,	1	0.77	1.27
RM43	2021630	CHIP RESISTOR ARRAY	TP,10KOHM,1/16W,+5%,	1	0.77	1.27
RM44	2021630	CHIP RESISTOR ARRAY	TP,10KOHM,1/16W,+5%,	1	0.77	1.27
RM45	2021630	CHIP RESISTOR ARRAY	TP,10KOHM,1/16W,+5%,	1	0.77	1.27
RM46	2021630	CHIP RESISTOR ARRAY	TP,10KOHM,1/16W,+5%,	1	0.77	1.27
RM5	2023270	CHIP RESISTOR ARRAY	TP,100KOHM,1/16 W,+5 %,4	1	0.77	1.27
RM6	2023270	CHIP RESISTOR ARRAY	TP,100KOHM,1/16 W,+5 %,4	1	0.77	1.27
RM7	2023270	CHIP RESISTOR ARRAY	TP,100KOHM,1/16 W,+5 %,4	1	0.77	1.27
RM8	2023270	CHIP RESISTOR ARRAY	TP,100KOHM,1/16 W,+5 %,4	1	0.77	1.27
RM9	2021618	CHIP RESISTOR ARRAY	TP,22OHM,1/16 W,+5 %,4	1	0.77	1.27
300	2032861	BOARD ASSY., POWER SUPPLY	5598A,STANDARD	1	30.11	49.68
330	2032537	WIRE HARNESS		1	0.77	1.27
331	2032952	HARNESS		1	1.54	2.54
332	2032953	HARNESS		1	5.04	8.32
336	2034142	COMPACT FLASH ADAPTER		1	13.55	22.36
400	2006741	POWER CABLE,BS31303SA-SR-10A	240V	1	15.16	25.01
401	2018028	HARNESS	220V/230V/240V	1	4.50	7.43
450	2032853	BOARD ASSY.,PANEL	5591C,STANDARD(C364)	1	3.46	5.71
500	2034016	MECHANISM UNIT,M4T11-100		1	134.29	221.58
501	1053390	FRAME ASSY,LEFT;B		1	1.92	3.17
502	2033351	MOTOR ASSY.,PF	15.9W,DC	1	7.69	12.69
504	1048835	COMBINATION GEAR,12,22.4		1	0.77	1.27
505	1048874	FRAME,RIGHT,FRONT		1	0.77	1.27
506	1051372	FRAME,UPPER;B		1	2.31	3.81
507	2033350	MOTOR ASSY.,CR	14.7W,DC	1	7.33	12.09
508	1048750	PUMP ASSY.		1	5.79	9.55
509	1048712	CAP ASSY.		1	5.40	8.91
510	1048877	FRAME,LOWER		1	2.69	4.44
511	1050768	SHEET,PROTECTION,INK		1	0.77	1.27
512	1048876	FRAME,FRONT		1	0.77	1.27
513	1030392	BUSHING,PARALLELISM ADJUST,LEFT		1	0.77	1.27
514	1030393	BUSHING,PARALLELISM AD.,RIGHT		1	0.77	1.27
515	1048825	PAPER GUIDE,REAR		1	0.77	1.27
516	1048740	ROLLER,PF		1	9.19	15.16
517	1030957	COMPRESSION SPRING,5.85		1	0.77	1.27
518	1037093	BUSHING,12,LEFT		1	0.77	1.27
519	1048804	TENSION BELT,PUMP TRANSMISSION		1	1.54	2.54
520	1048834	SPUR GEAR,15.2		1	0.77	1.27
521	1030975	SPACER,C-RING		1	0.77	1.27
522	1032301	SCALLOP SPRING PIN-AW,2X16,F/B		1	0.77	1.27
524	1048928	SPUR GEAR,76		1	0.77	1.27
525	1037094	SPACER,FASTEN,ROLLER,PF		1	0.77	1.27
526	1037095	SPACER,FASTEN,ROLLER,PF;B		1	0.77	1.27
527	1031164	C-RING		1	0.77	1.27
528	1038159	PLAIN WASHER,12.2X0.5X17		2	0.77	1.27
529	1048742	ROLLER ASSY.,EJECT		1	3.08	5.08
530	1048829	BUSHING,6		2	0.77	1.27
531	B150300711	RETAINING RING	TYPE-E(4)	4	0.77	1.27
532	1048929	SPUR GEAR,28		1	0.77	1.27

EPSON STYLUS PHOTO 875DC

REF	PART NO.	DESCRIPTION	SPEC.	QTY	RRP£	RRP\$
533	1030403	BUSHING,12,RIGHT		1	0.77	1.27
534	1030971	PLAIN WASHER,4.1X0.5X6.5		2	0.77	1.27
535	1048824	PAPER GUIDE,FRONT		1	1.15	1.90
536	1042582	GROUNDING WIRE,EJ		1	0.77	1.27
537	1048885	GROUNDING SPRING,PF		1	0.77	1.27
538	1048878	FRAME,PAPER EJECT		1	1.54	2.54
539	1042338	HOLDER,STAR WHEEL,RIGHT		1	0.77	1.27
540	1042339	HOLDER,STAR WHEEL,LEFT		1	0.77	1.27
541	1032723	HOLDER,STAR WHEEL,FRONT		1	0.77	1.27
542	1044879	STAR WHEEL ASSY,8;D		20	0.77	1.27
543	1033652	STARWHEEL,8;B		1	0.77	1.27
544	1032244	ROD SPRING,STAR WHEEL		14	0.77	1.27
545	1030408	PAPER GUIDE,UPPER		5	0.77	1.27
546	1030414	PAPER GUIDE,LEFT		1	0.77	1.27
547	1032646	PAPER GUIDE,RIGHT		1	0.77	1.27
548	1030968	SHAFT,PAPER GUIDE,UPPER		6	0.77	1.27
549	1030969	SHAFT,ROLLER,DRIVEN		6	0.77	1.27
550	1038961	ROLLER,DRIVEN;D		12	0.77	1.27
551	1030956	TORSION SPRING,117.6		6	0.77	1.27
552	2022329	CIRCUIT ASSY,PE		1	1.92	3.17
553	1048827	HOLDER,PE		1	0.77	1.27
554	1048826	LEVER,PE		1	0.77	1.27
555	1030958	TORSION SPRING,0.22		1	0.77	1.27
556	1048816	LEVER,CR,LOCK		1	0.77	1.27
557	1048879	GUIDE PLATE,CR		1	1.54	2.54
558	1032719	SHEET,CABLE		1	0.77	1.27
559	1050769	SCREW,MOUNT,PF		1	0.77	1.27
560	1050332	CARRIAGE ASSY		1	3.08	5.08
561	1030380	LEVER,ADJUST		1	0.77	1.27
562	1048884	GROUNDING PLATE,CR		1	0.77	1.27
563	1030382	OIL PAD		1	0.77	1.27
564	1030387	SLIDER,CR		1	0.77	1.27
565	1048736	TIMING BELT		1	2.31	3.81
566	1048737	SHAFT,CR,GUIDE		1	3.08	5.08
567	1050345	PULLEY,DRIVEN		1	0.77	1.27
568	1048810	HOLDER,PULLEY,DRIVEN		1	0.77	1.27
569	1049695	COMPRESSION SPRING,23.52		1	0.77	1.27
570	1050510	LEVER,PG		1	0.77	1.27
571	1030395	LEVER,PG,SUPPORT		1	0.77	1.27
572	1048889	TORSION SPRING,63.7		1	0.77	1.27
574	1048930	COMBINATION GEAR,13.5,30		1	0.77	1.27
575	1050346	BUSHING,PULLEY,DRIVEN		2	0.77	1.27
576	1034669	POROUS PAD,SLIDER,CAP		1	0.77	1.27
577	1050347	SHAFT,PULLEY,DRIVEN		1	0.77	1.27
578	1048907	EXTENSION SPRING,0.618		1	0.77	1.27
579	1048833	LEVER,PLANET		1	0.77	1.27
580	2028815	HARNESS,PE		1	0.77	1.27
581	2028817	HARNESS,ASF		1	0.77	1.27
582	1048721	SHAFT,SPUR GEAR,PLANET		1	0.77	1.27
585	1048912	U-TYPE SPRING,5.2X0.13X10,S/NA		1	0.77	1.27
586	1048836	COMBINATION GEAR,14,28		1	0.77	1.27
587	B300204211	C.B.S. SCREW	M3X6	27	0.77	1.27
588	B010103311	C.P.SCREW	M3X6	2	0.77	1.27
589	B101254590	LEAF SPRING	6.2X0.15X11	1	0.77	1.27
590	1017597	PLAIN WASHER,3.3X0.5X8,F/UC		1	0.77	1.27
591	1043627	C.B.P-TITE,2.5X5,F/ZN		1	0.77	1.27
592	1048909	PLAIN WASHER,6.2*0.2*9,L/NA		1	0.77	1.27
593	1048890	PLAIN WASHER,5.1X0.7X11,S/NA		1	0.77	1.27

EPSON STYLUS PHOTO 875DC

REF	PART NO.	DESCRIPTION	SPEC.	QTY	RRP£	RRP\$
594	1048893	PLAIN WASHER,10.7X0.5X15.5,L/NA		1	0.77	1.27
595	1032300	C.P.S-TITE(P4),3X6,F/ZN		2	0.77	1.27
596	B040302511	CUP SCREW	M3X6 F/ZN	1	0.77	1.27
599	1048881	FRAME,MIDDLE		1	0.77	1.27
603	1048913	TAPE,D50		1	0.77	1.27
604	1048918	BOARD ASSY.,ENCODER		2	8.26	13.63
605	1048920	SCALE,CR		1	0.77	1.27
606	1048922	SCALE,PF		1	2.31	3.81
607	1048898	MOUNTING PLATE,SCALE		1	0.77	1.27
608	2032181	FFC,ENCODER		1	1.54	2.54
609	1048888	EXTENSION SPRING,1.494		1	0.77	1.27
610	1049348	MINI CRAMP,UAMS-05SN		3	0.77	1.27
611	1048957	SCALLOP SPRING PIN-AW,2X10,F/B		1	0.77	1.27
612	1005019	C.B.P-TITE SCREW,3X8,F/ZN	M3X8 F/ZN	3	0.77	1.27
613	1048822	MOUNTING PLATE,BOARD ASSY.		1	0.77	1.27
614	1048875	FRAME,RIGHT,REAR		1	0.77	1.27
615	1049546	PLATE,SLIDER,CLEANER		1	0.77	1.27
616	1048908	EXTENSION SPRING,7.37		1	0.77	1.27
618	1048910	LEVER ASSEMBLY,COMB.GEAR		1	0.77	1.27
619	1050767	SET RING,D8.8		2	0.77	1.27
620	2032192	MOTOR ASSY,ASF		1	7.97	13.15
621	B100165911	P.W.,3.1X0.5X12,F/ZN		1	0.77	1.27
622	B150300611	RETAINING RING	TYPE-E(3)	1	0.77	1.27
623	1048839	COMBINATION GEAR,17.19,25.6		1	0.77	1.27
624	1048840	COMBINATION GEAR,12,22.92		1	0.77	1.27
625	1048842	LEVER,DE,LOCK		1	0.77	1.27
626	1048832	MOUNTING PLATE,MOTOR,ASF		1	0.77	1.27
627	1048906	COMPRESSION SPRING,3.944		1	0.77	1.27
628	1050765	FERRULE,D3.6		2	0.77	1.27
637	1050505	SHEET,INK STOPPER		1	0.77	1.27
641	1051049	POROUS PAD,PAPER GUIDE FRONT		2	0.77	1.27
642	1051050	POROUS PAD,PR GUIDE FRONT,RIGHT		1	0.77	1.27
644	1050385	+,BIND B-TITE SEMS W2,2.5X6,F/ZB		1	0.77	1.27
645	1053940	PLANE WASHER,2.1X0.25X5.5,L/NA		6	0.77	1.27
700	F074000	PRINT HEAD		1	112.34	185.36
701	1050333	FASTENER,HEAD		1	0.77	1.27
702	1050334	TORSION SPRING,28.4		1	0.77	1.27
703	1024130	C.B.P-TITE SCREW,3X6,F/ZN		5	0.77	1.27
704	2032847	CABLE,HEAD,A		1	1.54	2.54
705	1050331	HOLDER,CABLE		1	0.77	1.27
706	1033220	SPACER,CABLE HEAD		1	0.77	1.27
707	1038244	FRAME,ASF;B		1	4.47	7.38
708	1040589	HOPPER		1	1.15	1.90
709	1040590	EDGE GUIDE		1	0.77	1.27
710	1040606	CORK		1	0.77	1.27
711	1030429	SLIDER,EDGE GUIDE		1	0.77	1.27
712	1030960	COMPRESSION SPRING,3.23		1	0.77	1.27
713	1033016	PAD,BRAKE ,EDGE GUIDE		1	0.77	1.27
714	1040645	REINFORCEMENT PLATE,HOPPER		1	0.77	1.27
715	1048838	SPUR GEAR,32		1	0.77	1.27
716	1040661	PAD ASSY.,RIGHT		1	1.54	2.54
717	1030450	LEVER,PAD,RELEASE,RIGHT		1	0.77	1.27
718	1030420	ROD SPRING,HOLDER,PAD		2	0.77	1.27
719	1040608	HOLDER,EDGE GUIDE,RIGHT		1	0.77	1.27
720	1036867	COMPRESSION SPRING,1.17		2	0.77	1.27
721	1036874	EXTENSION SPRING,0.62		2	0.77	1.27
722	1040595	LEVER,PAPER RETURN,RIGHT		1	0.77	1.27
723	1040646	EXTENSION SPRING,0.294		2	0.77	1.27

EPSON STYLUS PHOTO 875DC

Page 7

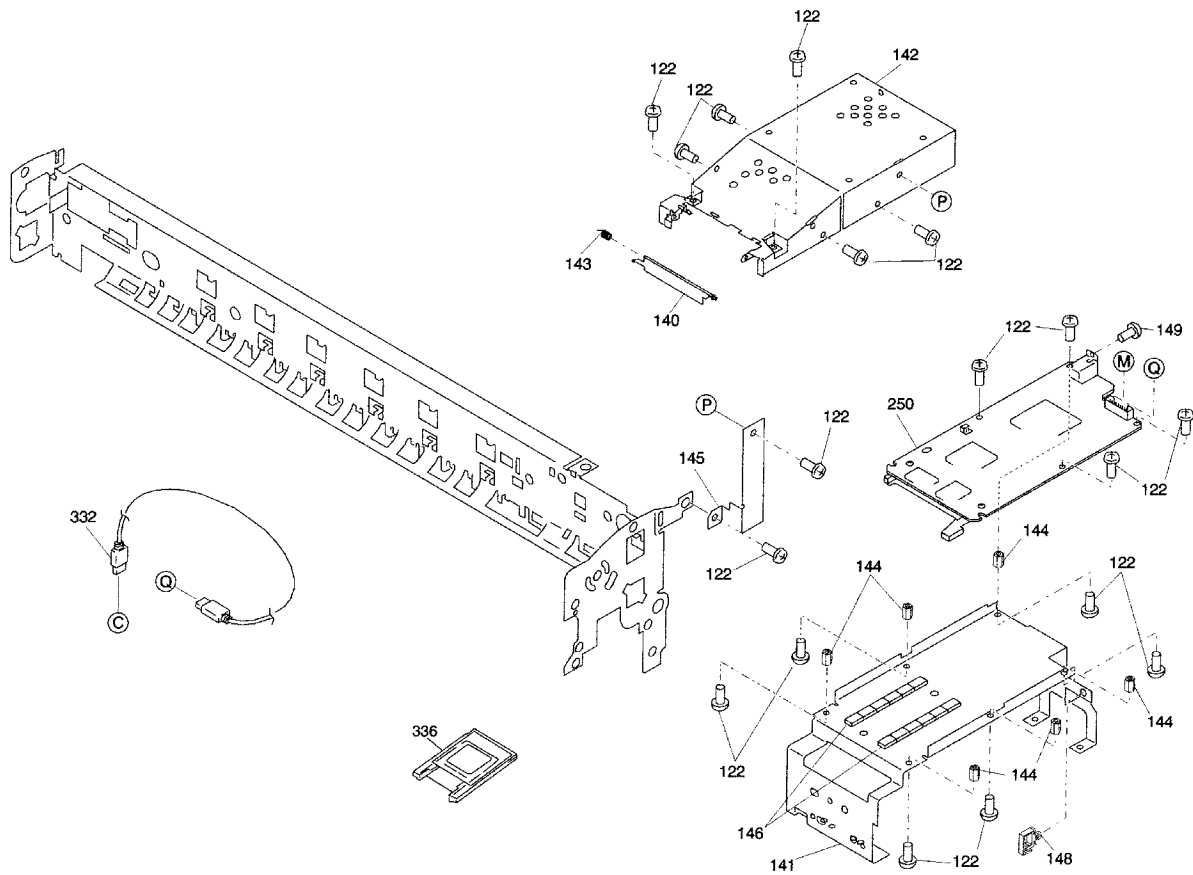
REF	PART NO.	DESCRIPTION	SPEC.	QTY	RRP£	RRP\$
724	1040596	ROLLER,LD,SUPPORT		2	0.77	1.27
725	1040648	HOLDER,ROLLER,LD,SUPPORT,RIGHT		1	0.77	1.27
726	1040660	PAD ASSY.,LEFT		1	1.54	2.54
727	1030449	LEVER,PAD,RELEASE,LEFT		1	0.77	1.27
728	1040602	HOLDER,EDGE GUIDE,LEFT		1	0.77	1.27
729	1040594	LEVER,PAPERRETURN,LEFT		1	0.77	1.27
730	1040647	HOLDER,ROLLER,LD,SUPPORT,LEFT		1	0.77	1.27
731	1040658	ROLLER ASSY.,LD,LEFT		1	1.54	2.54
732	1040659	ROLLER ASSY.,LD,RIGHT		1	1.54	2.54
733	1040597	COVER,ROLLER,LD,LEFT		1	0.77	1.27
734	1040598	COVER,ROLLER,LD,RIGHT		1	0.77	1.27
735	1036868	COMPRESSION SPRING,1.961		2	0.77	1.27
736	1038211	LEVER,FASTEN,EDGE GUIDE;B		2	0.77	1.27
737	1030959	EXTENSION SPRING,0.088		2	0.77	1.27
738	1040601	SHAFT,ROLLER,LD		1	0.77	1.27
739	1042067	LEVER,HOPPER,RELEASE		2	0.77	1.27
740	1040607	WHEEL,DETECT		1	0.77	1.27
745	1040599	SHEET,PAPER FEED		2	0.77	1.27
746	1040600	HOLDER,SHEET,PAPER FEED		2	0.77	1.27
747	1005416	SHAFT,MOUNT,CR		1	0.77	1.27
748	1032300	C.P.S-TITE(P4),3X6,F/ZN		1	0.77	1.27
751	1048790	PAPER GUIDE,LOWER		1	0.77	1.27
752	1048733	POROUS PAD,INKEJECT,LARGE		2	0.77	1.27
753	1048778	TRAY,POROUS PAD		1	1.92	3.17
754	1048883	SPACER,TRAY		1	0.77	1.27
755	1031178	BUSHING,FASTEN,SHAFT,LEFT		1	0.77	1.27
756	1037724	PAPER SUPPORT,SUPPORT,UPPER		1	0.77	1.27
757	1048831	HOLDER,PAPER SUPPORT,UPPER		1	0.77	1.27
758	1036849	EXTENSION SPRING,0.29		1	0.77	1.27
759	1050335	COVER,CARTRIDGE,BK		1	0.77	1.27
760	1050336	COVER,CARTRIDGE,C		1	0.77	1.27
761	1050337	PLATE SPRING COVER,CARTRIDGE		4	0.77	1.27
762	1050338	COVER,PLATE SPRING,CARTRIDGE		4	0.77	1.27
763	2032842	DETECTOR,HP;E	4V,50MA,100MW	1	0.77	1.27
764	1043828	CORK;B		1	4.36	7.19
765	1050580	CLEANER HEAD,ASP		1	1.15	1.90
766	1048734	POROUS PAD,INK EJECT,SMALL		2	0.77	1.27
770	2032848	CABLE,HEAD,B		1	1.54	2.54
774	1053563	DAMPER,SUPPORT;B		2	0.77	1.27
775	1052326	POROUS PAD,FRAME,MIDDLE		1	0.77	1.27
780	1043888	ASF UNIT;B		1	21.86	36.07
800	1050502	SHAFT,ASSY ROLL PAPER		1	8.40	13.86
801	1050500	FRAME,ROLL PAPER,FRONT		1	1.92	3.17
802	1048439	FRAME,ROLL PAPER,LEFT		1	0.77	1.27
803	1048438	FRAME,ROLL PAPER,RIGHT		1	0.77	1.27
804	B310204311	C.B.B. SCREW	M3X8	2	0.77	1.27
805	1052398	SHEET,ROLL PAPER		1	4.25	7.01
806	1053906	SPACER		2	0.77	1.27
1	5010012	INDIVIDUAL CARTON BOX		1	6.69	11.04
3	5009584	PAD SET,PRINTER		1	1.92	3.17
4	5009589	PAD,ACCESSORY		1	0.77	1.27
5	5009176	PLASTIC SHEET,260X80X0.06T		1	0.77	1.27
6	5006871	PLASTIC BAG,500X900X0.04T		1	0.77	1.27
7	5009975	IND. CARTON FOR ACCESSORY		1	3.46	5.71
8	X680045010	PLASTIC BAG	150X450X0.04	2	0.77	1.27
N/A	1051012	INK CARTRIDGE,BLACK ,,AS		1	10.65	17.57
N/A	1051014	INK CARTRIDGE,COLOUR,AS		1	14.16	23.36
N/A	1053159	SPECIAL COATED PAPER,007		1	8.90	14.69

EPSON STYLUS PHOTO 875DC

REF	PART NO.	DESCRIPTION	SPEC.	QTY	RRP£	RRP\$
N/A	3003089	APPLICATION CD-ROM,M		1	3.08	5.08
N/A	3003158	SOFTWARE CD-ROM,E		1	9.72	16.04
N/A	4011643	SUPPLEMENT		1	0.77	1.27
N/A	4011920	UNPACKING SHEET		1	5.33	8.79
N/A	4011921	SETTING UP MANUAL		1	13.73	22.65
N/A	4011922	USER'S GUIDE		1	25.00	41.25
N/A	4011923	SOFTWARE GUIDE		1	15.02	24.78
N/A	4012248	USER'S GUIDE		1	25.00	41.25
END						

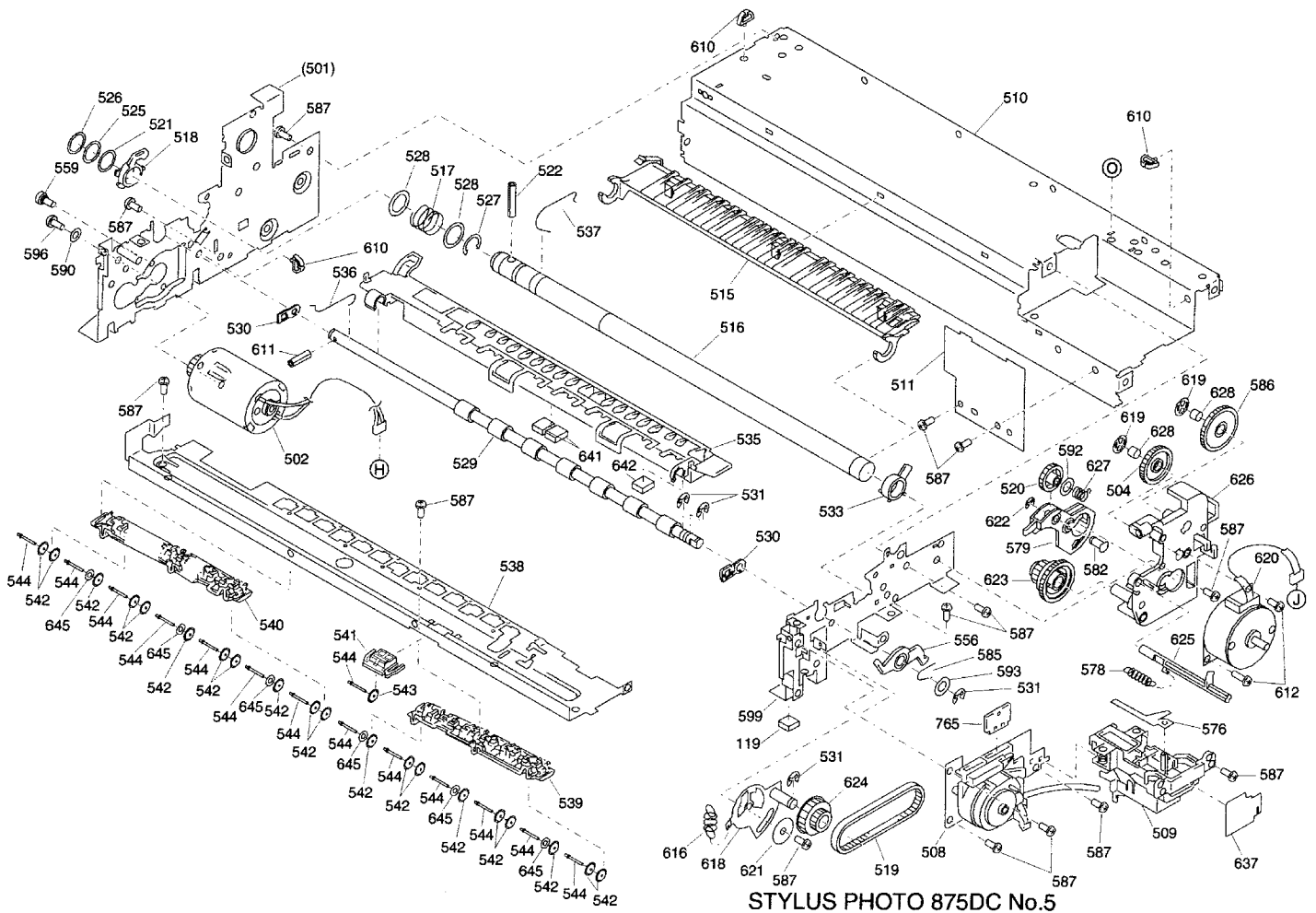
EPSON STYLUS PHOTO 875DC

Page 10



STYLUS PHOTO 875DC No.2

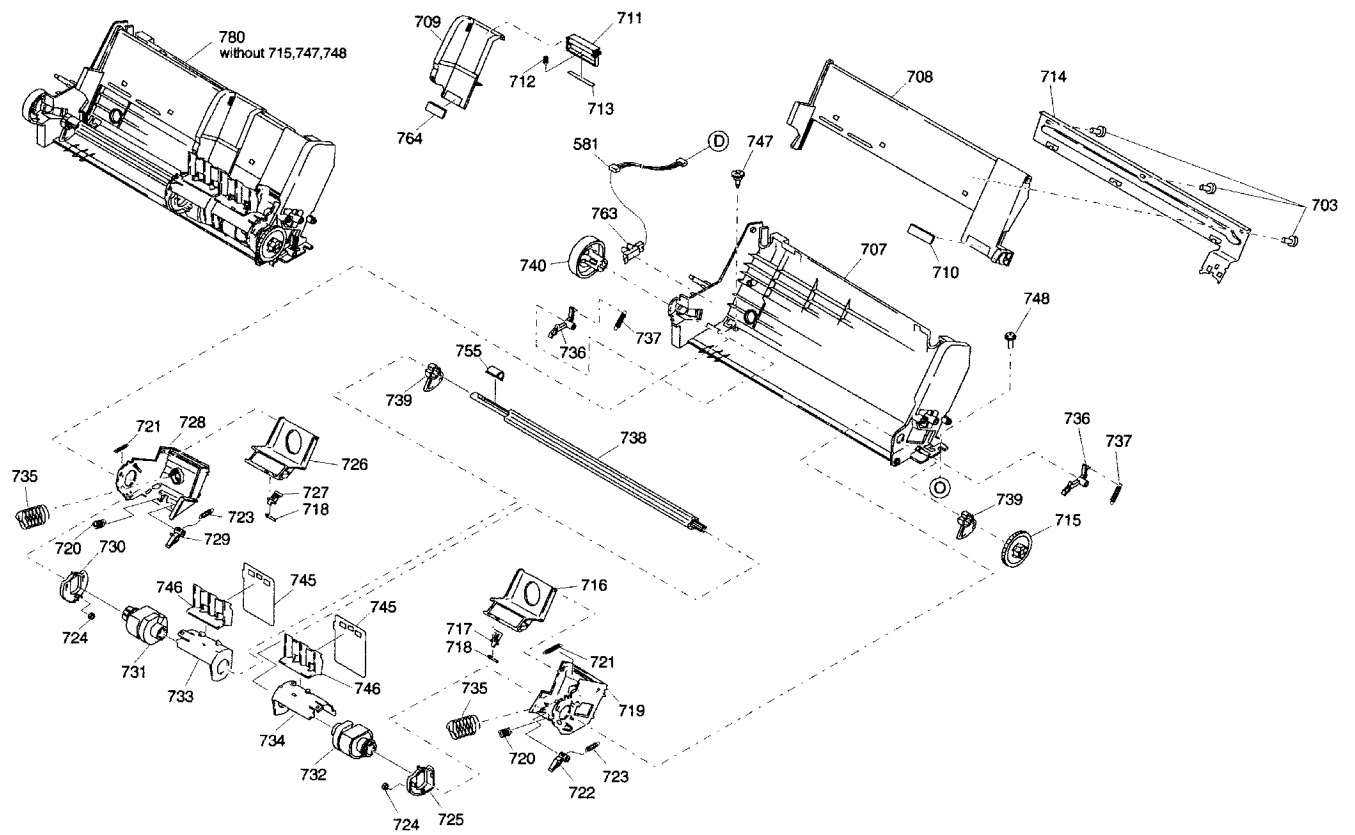
EPSON STYLUS PHOTO 875DC



STYLUS PHOTO 875DC No.5

EPSON STYLUS PHOTO 875DC

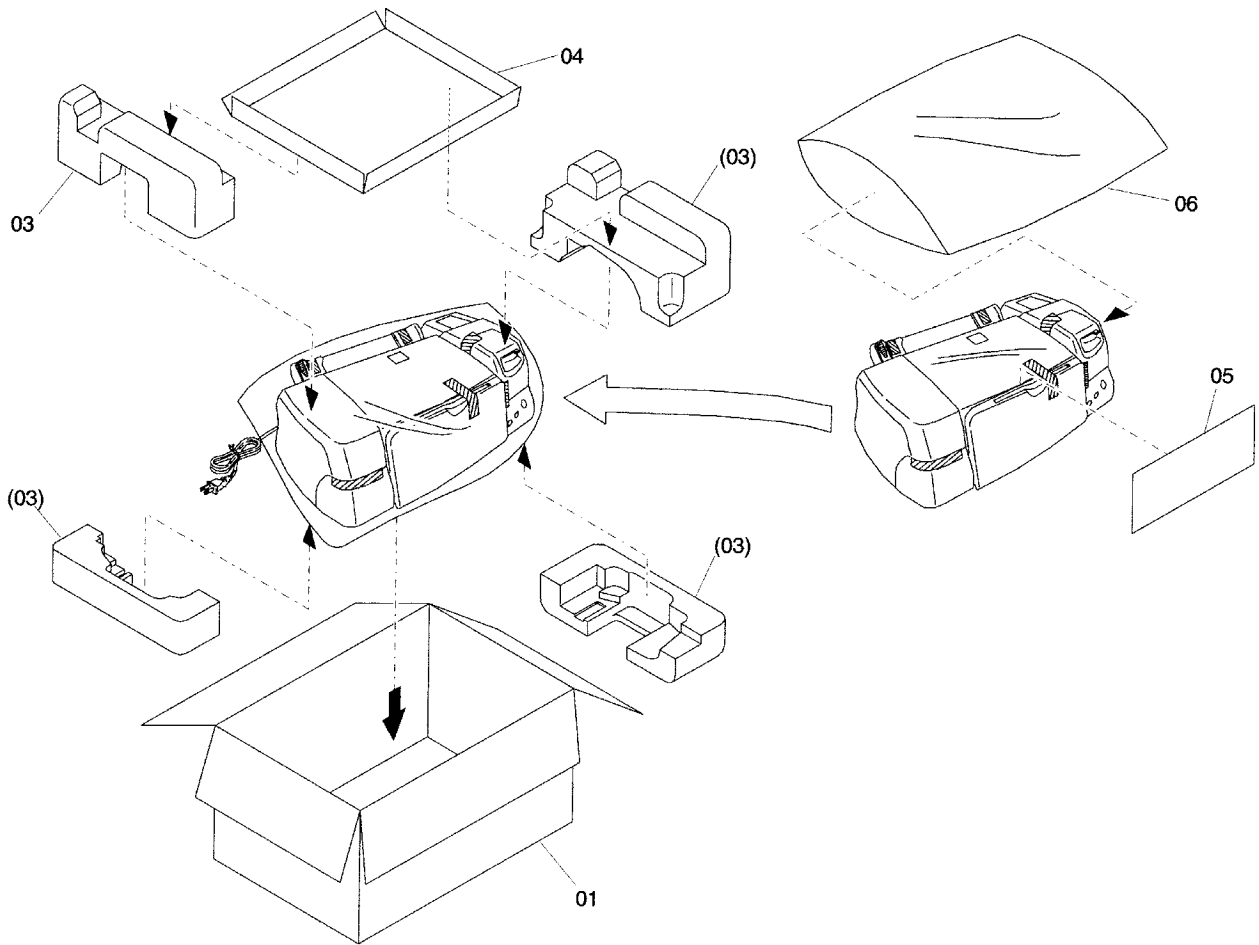
Page 14



STYLUS PHOTO 875DC No.6

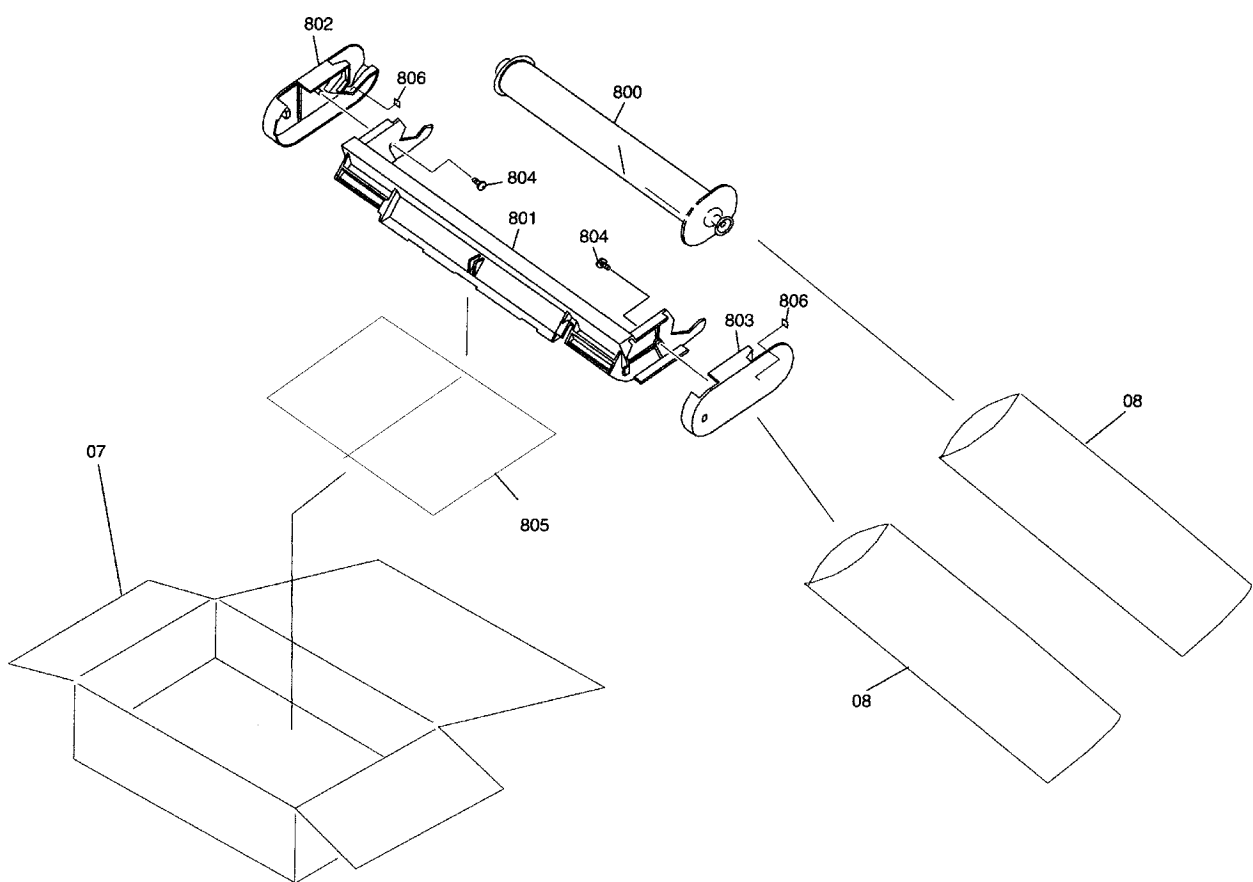
EPSON STYLUS PHOTO 875DC

Page 15

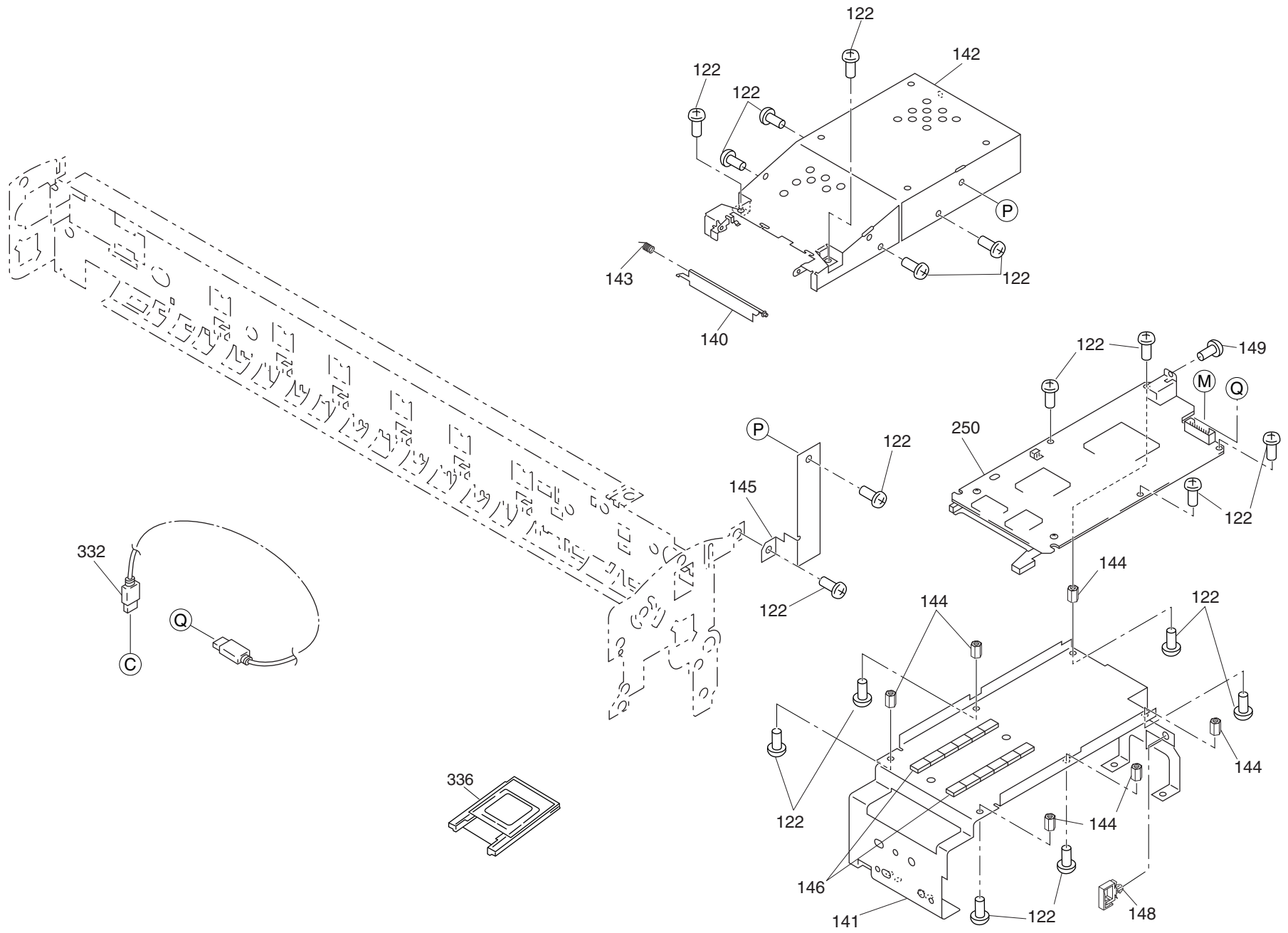


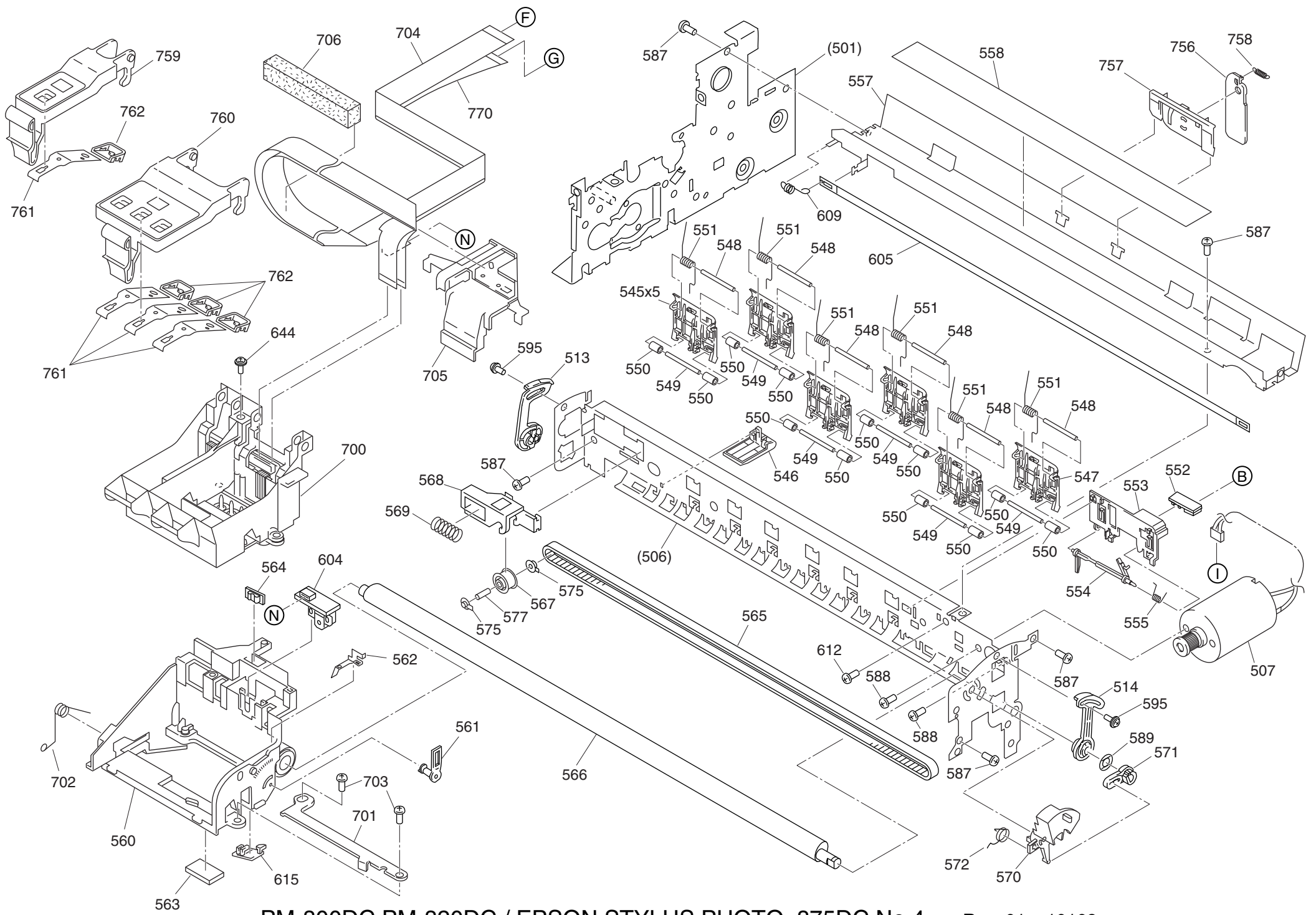
STYLUS PHOTO 875DC NO.7

EPSON STYLUS PHOTO 875DC



STYLUS PHOTO 875DC No.8





PM-800DC, PM-820DC / EPSON STYLUS PHOTO 875DC No.4 Rev. 01 10162

