

***NB: Part Number rationalisation – 10 digit part numbers in brackets are the old numbers for otherwise identical items***

## STYLUS PHOTO 935

Page No.:1

REF	PART NO	DESCRIPTION	Specification	Qty
100	1236460	HOUSING;EDG		1
102	1109500	HOUSING,COVER,RIGHT;B		1
103	1109502	HOUSING,COVER,LEFT;B		1
105	1236178	COVER ASF;B;GREY ASSY.		1
106	1237009	COVER,CUTTER,LOWER; GREY		1
107	1243383	STACKER ASSY.;E		1
108	1154381	HOUSING,SUPPORT,LEFT,FRONT ASSY.;B		1
109	1250785	HOUSING,SUPPORT,RIGHT,FRONT ASSY.;EBM		1
110	1155819	COVER,SLOT		1
111	1109522	HOUSING,SUPPORT,LEFT,REAR;B		1
112	1217972	EDGE GUIDE ASSY.;D		1
113	1109517	HOUSING,SUPPORT,RIGHT,REAR;B		1
114	1243263	COVER,PRINTER ASSY.;E		1
115	1058403	LOGO PLATE 10X40;C		1
120	1024130	C.B.P-TITE SCREW,3X6,F/ZN		2
121	1004539	C.P.SCREW(B010103311)	M3X6	1
122	1073165	C.B.S. SCREW(B300204211)	M3X6	5
122	1073165	C.B.S. SCREW(B300204211)	M3X6	38
124	1070802	C.P.SCREW(B010102311)	M2.5X6	1
125	1005019	C.B.P-TITE SCREW,3X8,F/ZN	M3X8 F/ZN	7
125	1005019	C.B.P-TITE SCREW,3X8,F/ZN	M3X8 F/ZN	11
126	1073162	C.B.S. SCREW(B300200111)	M3X4	4
127	1249645	BUTTON,MOVE;B		1
128	1109504	BUTTON,PANEL;B		1
129	1109510	BUTTON,PRINT;B		1
130	1109507	BUTTON,CANCEL;B		1
131	1109505	BUTTON,PS;B		1
132	1109509	BUTTON,MEMORY;B		1
133	1084901	OPTICAL TUBE,PANEL		1
134	1112507	COVER,COLOUR,LCD;C		1
135	1212761	COVER,LCD;D		1
136	1084904	DOUBLE SIDED TAPE,3.5X34		2
137	1084903	DOUBLE SIDED TAPE,4.5X55		2
138	1047689	FOOT		5
139	1104787	SHEET,PRINT;B		1
140	1104790	SHEET,CANCEL;B		1
141	1108263	SHEET,CUSTOM;B		1
142	1108265	SHEET,SELECT;C		1
143	1108264	SHEET,BACK;C		1
149	1109508	BUTTON,SET;B		1
152	1217968	ARM,STACKER,SUPPORT ASSY.;GREY		1
200	2083122	BOARD ASSY.,MAIN		1
300	2082470	BOARD ASSY.,POWER SUPPLY	5875BC505 STANDARD	1
330	2075677	HARNESS		1
400	2020111	EU- APPROVED CORD SET,VD31303SR		10
450	1156274	PANEL,LCD ASSY.;B		1
500	2081443	PRINTER MECHANISM(ASP)MA215-100		1
505	1213009	PUMP ASSY.;C		1
506	1212966	CAP ASSY.;B		1
507	2069113	MOTOR ASSY.,CARRIAGE	21W	1
508	2069116	MOTOR ASSY.,PAPER FEED	21W	1

***NB: Part Number rationalisation – 10 digit part numbers in brackets are the old numbers for otherwise identical items***

## STYLUS PHOTO 935

***Page No.:2***

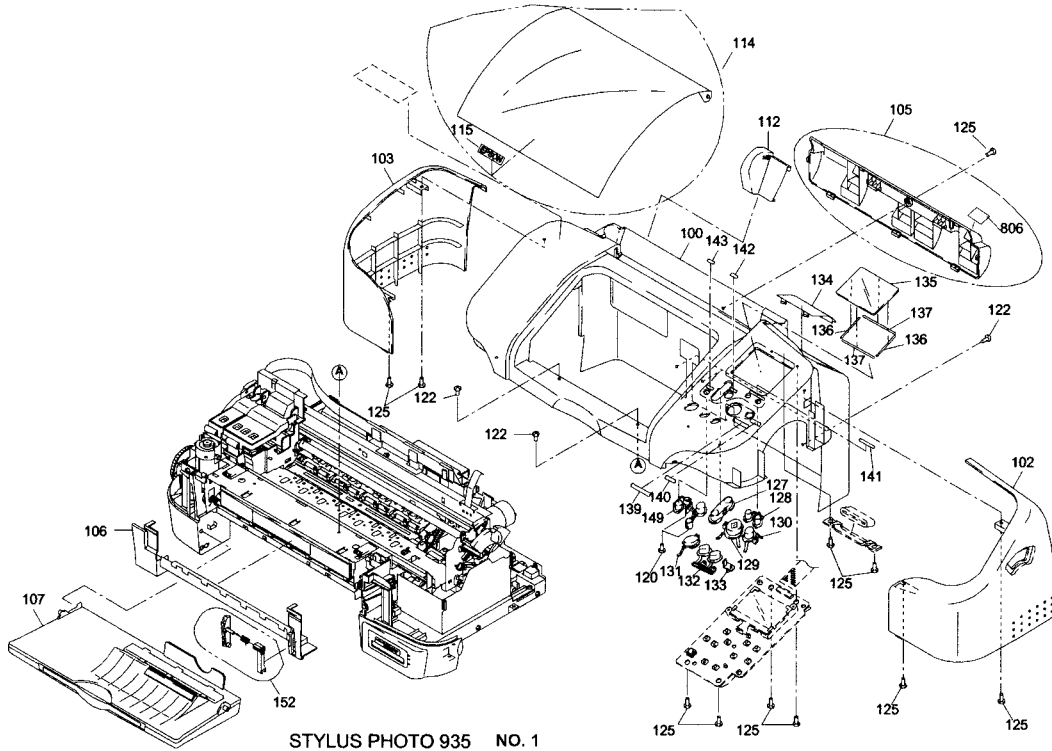
REF	PART NO	DESCRIPTION	Specification	Qty
512	2055436	MOTOR ASSY,ASF		1
513	1030392	BUSHING,PARALLELISM ADJUST,LEFT		1
522	1082548	EXTENSION SPRING,1.45		1
523	1048921	SCALE,CARRIAGE		1
529	1244523	ROLLER,PAPER FEED ASSY.,ASP		1
531	1235618	SHAFT ASSY.,CR,GUIDE		1
532	1038484	PLAIN WASHER,4.5X0.5X8,L/NA		1
533	1048913	TAPE,D50		1
536	1048923	SCALE,PAPER FEED		1
537	1214725	BUSHING,ROLLER,PF,RIGHT		1
539	1052671	TORSION SPRING,52.92		4
540	1235561	PAPER GUIDE ASSY.,LEFT		1
541	1235565	PAPER GUIDE ASSY.,UPPER		3
542	1230871	POROUS PAD,PAPER GUIDE,FRONT		1
543	1214729	PAPER GUIDE,FRONT		1
544	1091351	ROLLER ASSY.,EJ		1
545	1230488	FRAME,FRONT		1
547	1090055	STAR WHEEL ASSY.,FRONT		7
548	1090054	STAR WHEEL ASSY.,REAR		7
553	1235566	CARRIAGE ASSY.		1
554	1073162	C.B.S. SCREW(B300200111)	M3X4	3
554	1073162	C.B.S. SCREW(B300200111)	M3X4	2
555	1073165	C.B.S. SCREW(B300204211)	M3X6	8
555	1073165	C.B.S. SCREW(B300204211)	M3X6	2
556	1004527	C.P.SCREW(B010109511)	M3X4	2
557	1030393	BUSHING,PARALLELISM ADJUST,RIGHT		1
558	1056415	TIMING BELT		1
559	1030395	LEVER,PG,SUPPORT		1
560	1076289	LEAF SPRING(B101254590)	6.2X0.15X11	1
561	1032240	TORSION SPRING,63.7		1
564	1232892	PIPE INK;B		1
565	1056444	BUSHING,5		1
566	1218127	GUIDE,TUBE;B		1
567	1032300	C.B.S-TITE(P4),3X6,F/ZN		2
591	1090136	TRAY,IS		1
592	1091275	POROUS PAD,INK EJECT,CAP,LOWER		1
593	1104891	POROUS PAD,INK EJECT,CAP,UPPER		1
594	1230873	SUPPORT PLATE,POROUS PAD		1
700	F095001	PRINT HEAD	288	1
702	2055067	BOARD ASSY.,ENCODER		1
703	2060534	FCC,ENCODER		1
704	1080991	GROUNDING PLATE,FFC,HEAD		1
705	1043627	C.B.P-TITE,2.5X5,F/ZN		1
706	1246462	ASF ASSY.		1
708	1090935	CLEANER,HEAD,ASP		1
710	1155818	SHIELD PLATE,P/B,UPPER		1
712	1155817	SHIELD PLATE,M/B		1
714	1104419	COMPRESSION SPRING,3.91		1
715	1108015	COVER,FFC;B		1
718	1090051	HOLDER SHAFT ASSY.,		1
721	1039368	SPUR GEAR,23.2		1



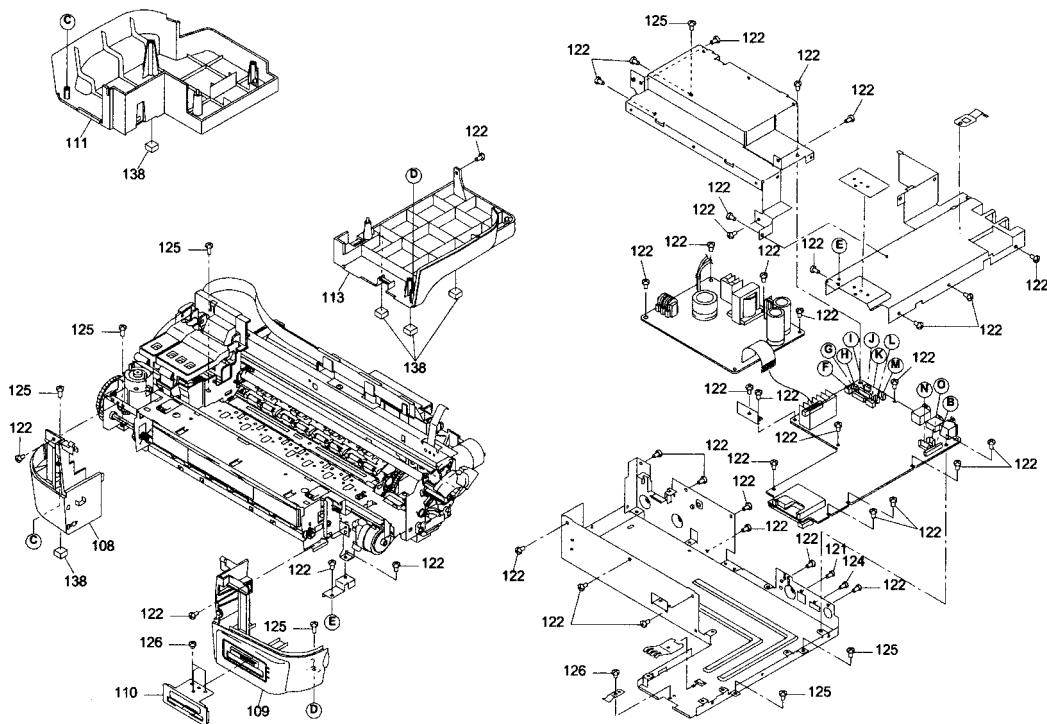
*NB: Part Number rationalisation – 10 digit part numbers in brackets are the old numbers for otherwise identical items*

## STYLUS PHOTO 935

Page No.:4



STYLUS PHOTO 935 NO. 1

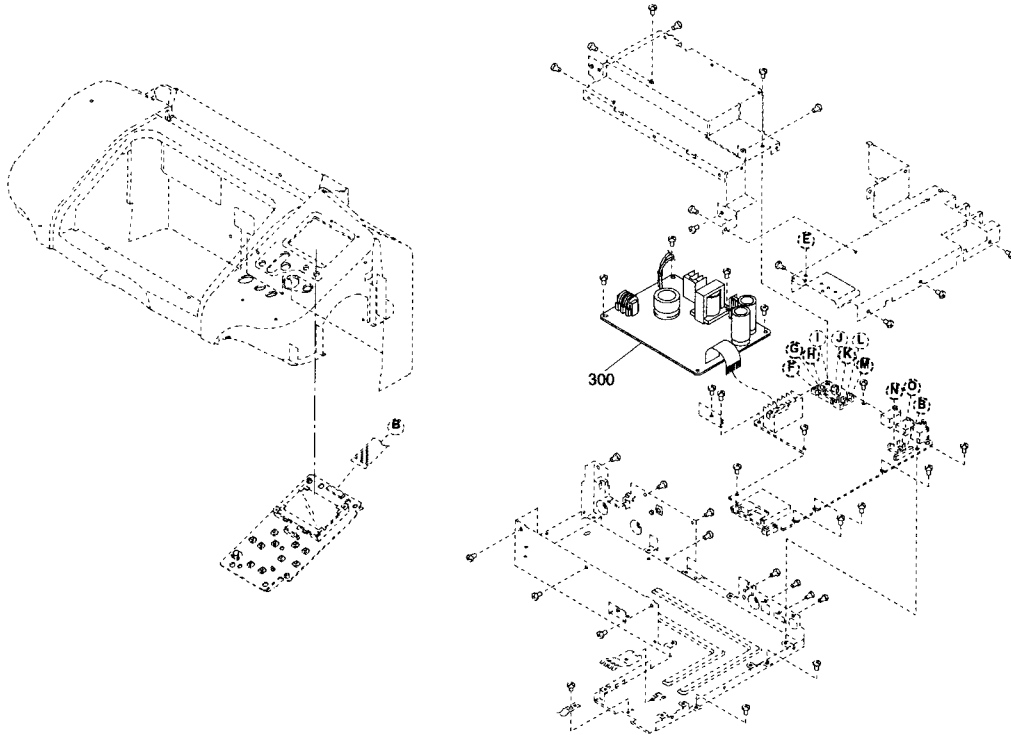


STYLUS PHOTO 935 NO. 2

*NB: Part Number rationalisation – 10 digit part numbers in brackets are the old numbers for otherwise identical items*

## STYLUS PHOTO 935

*Page No.:5*

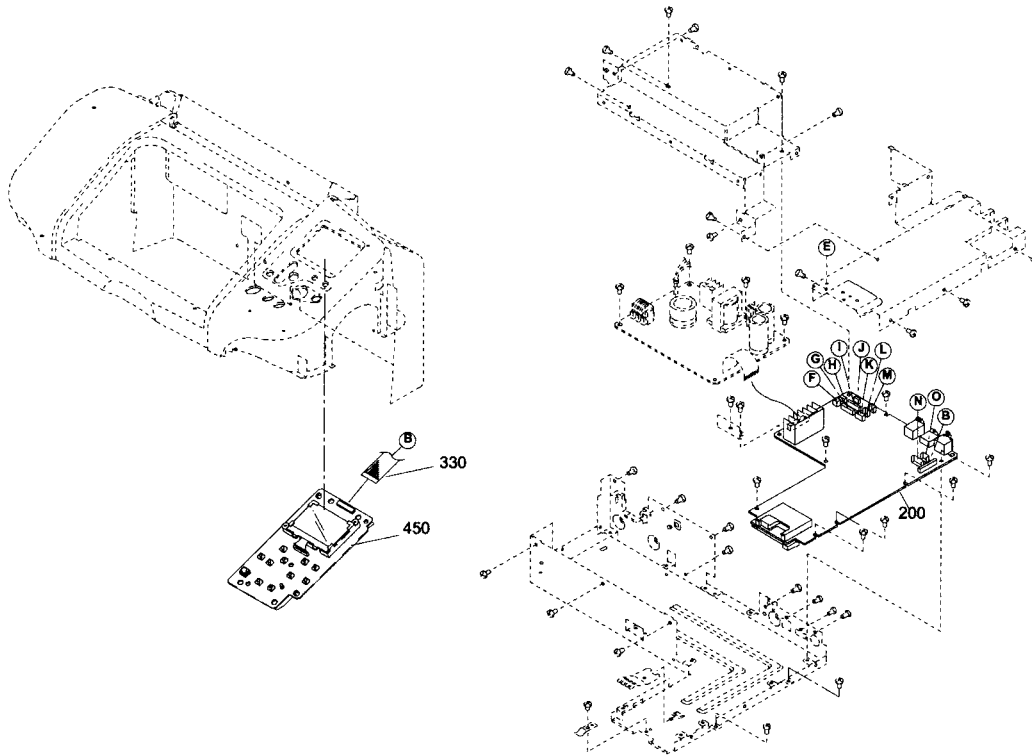


STYLUS PHOTO 935 NO.3

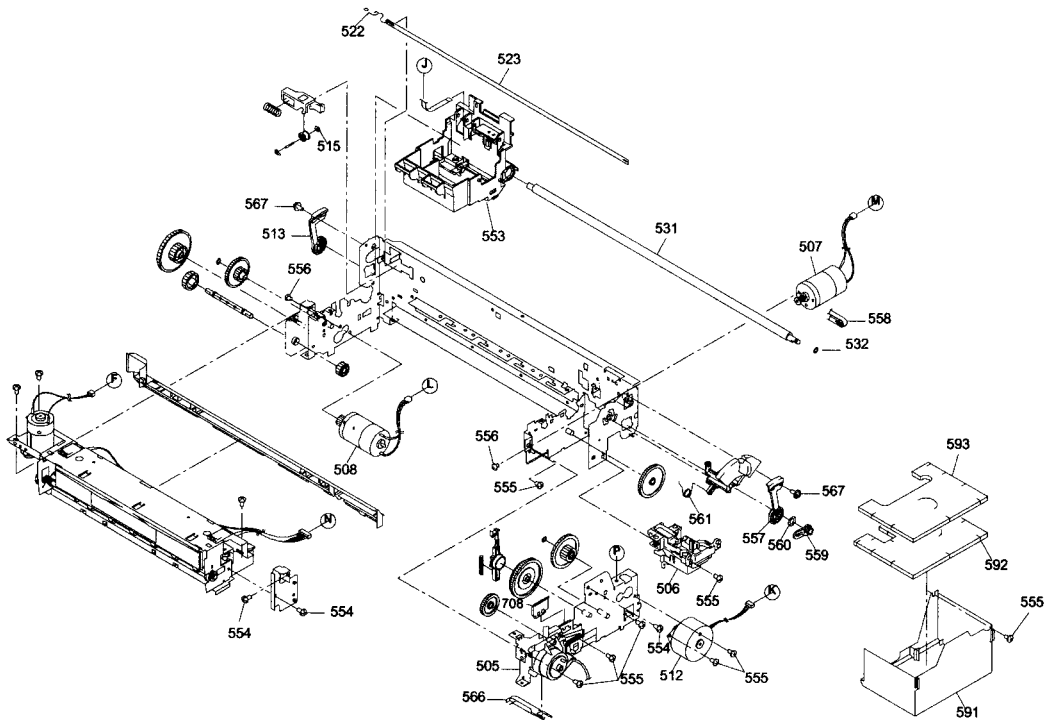
*NB: Part Number rationalisation – 10 digit part numbers in brackets are the old numbers for otherwise identical items*

## STYLUS PHOTO 935

Page No.:6



STYLUS PHOTO 935 No.4

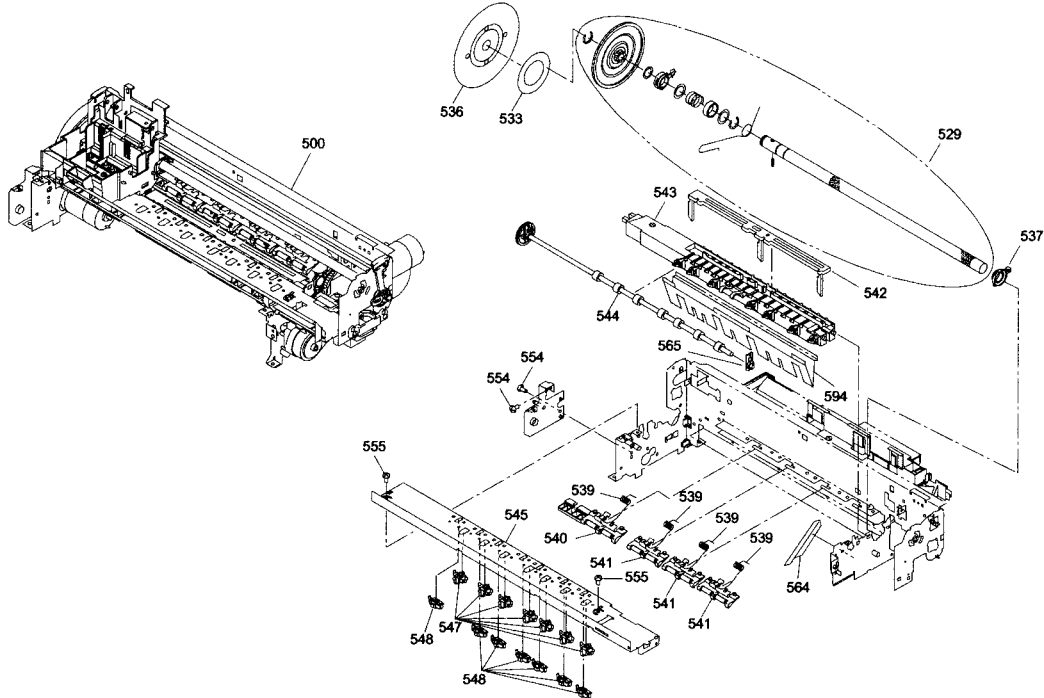


STYLUS PHOTO 935 No.5

**NB: Part Number rationalisation – 10 digit part numbers in brackets are the old numbers for otherwise identical items**

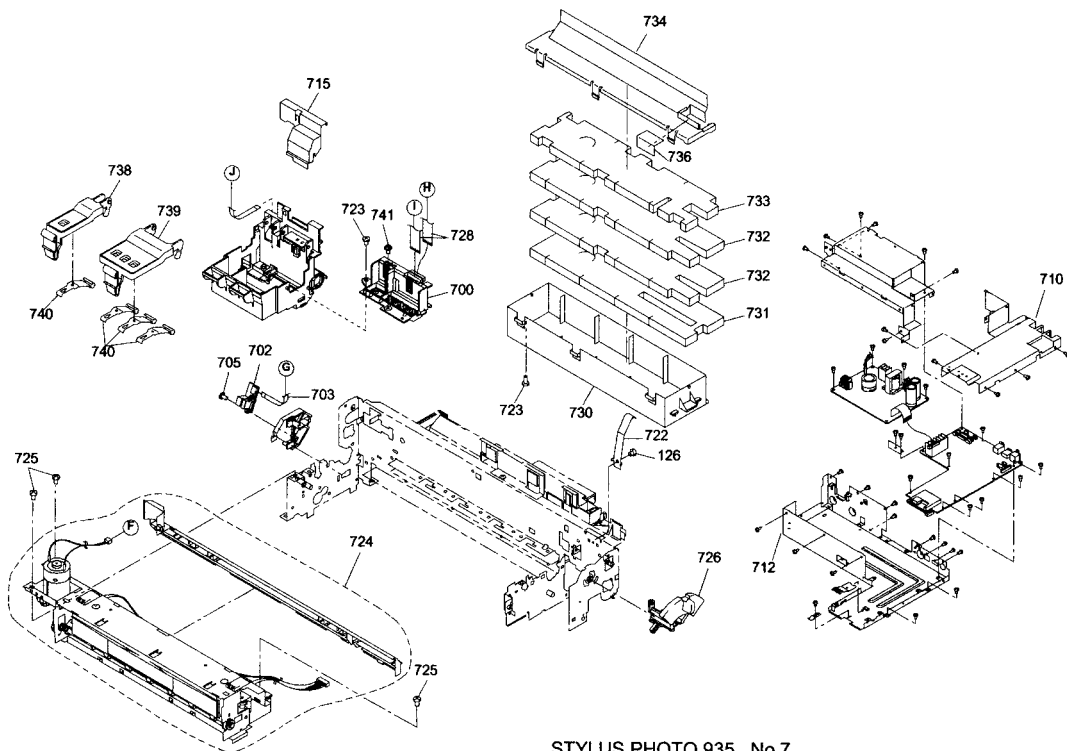
## STYLUS PHOTO 935

Page No.:7



STYLUS PHOTO 935 No.6 Rev.03

C505-MECH-0023

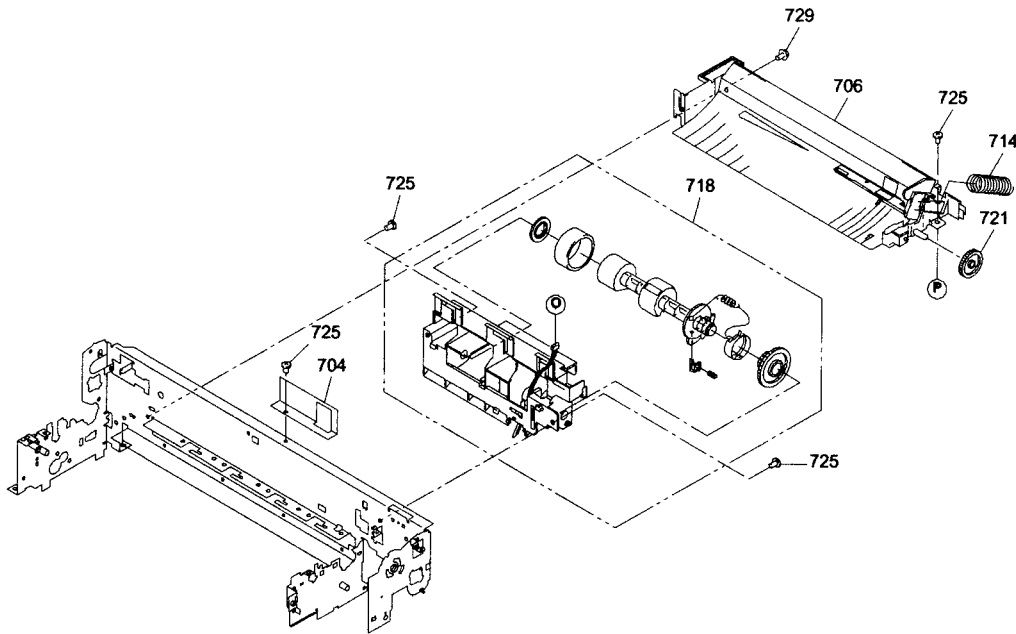


STYLUS PHOTO 935 No.7

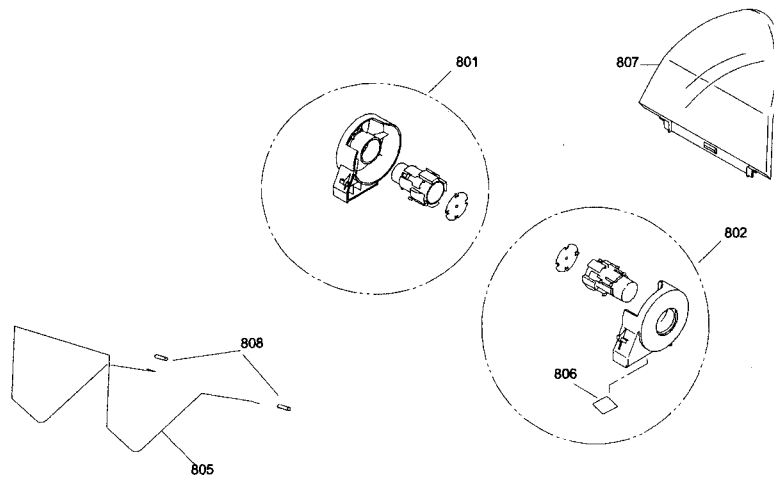
*NB: Part Number rationalisation – 10 digit part numbers in brackets are the old numbers for otherwise identical items*

## STYLUS PHOTO 935

Page No.:8



STYLUS PHOTO 935 No.8 Rev.03



STYLUS PHOTO 935 NO. 9