

EPSON STYLUS PHOTO EX

*NB THIS SPARES GUIDE IS PROVISIONAL AND SUBJECT TO AMENDMENT
(SHADED ROWS INDICATE MAJOR ITEMS)*

Page 1

REF	PART NO.	REMARKS	QTY	DESCRIPTION
100	1036887		1	HOUSING
101	1033230		5	FOOT
102	1036888		1	COVER, PRINTER
105	1036896		1	HOUSING, PANEL, LEFT
106	1030669		4	GROUNDING PLATE
107	1037036		1	STACKER ASSEMBLY
108	1037038		1	PANEL ASSEMBLY
109	1037037		1	PAPER SUPPORT ASSEMBLY
110	1037312		1	BUTTON, P/S;B
111	1037313		1	COVER, INLET, UPPER;B
112	1037314		1	COVER, INLET, LOWER;B
113	1030608		2	COVER, CABLE
115	1040480		1	LOGO PLATE;B
116	1037315		1	SHIELD PLATE, PANEL
117	1030609		5	COVER, SHIELD PLATE, M/B, RIGHT
119	1031165		1	MINI CLAMP
120	1036897		1	SHIELD PLATE, M/B
121	B010109511	M3X4	3	C.P.SCREW
122	B300204211	M3X6	23	C.B.S. SCREW
123	1032538		1	C.B.(O) SCREW, 4X5, F/ZG
124	B300204411	M3X10	4	C.B.S. SCREW
125	1005019	M3X8 F/ZN	2	C.B.P-TITE SCREW, 3X8, F/ZN
126	1012350		3	C.B.P-TITE, 3X10, F/ZN
127	1038555		1	COVER, SUPPORT, ASP
129	1038400		1	SHEET, PROTECT, PANEL
180	1037833		1	LABEL, LEVER CARTRIDGE, BLACK
181	1037835		1	LABEL, LEVER CARTRIDGE, COLOUR
182	1039715	EUROPE,	1	LABEL, CAUTION, HEAD CLEAN;C
183	1039717	EUROPE,	1	LABEL, CAUTION, I/C CHANGE;C
184	1039718		1	LABEL, CAUTION, 6 LANGUAGE
185	1039719		1	LABEL, CAUTION, SET DIRECTION;B
186	1040470	USA	1	LABEL, ACCESSORY(ENGLISH)
200	2027993	FOR EUROPE	1	BOARD ASSY., MAIN
IC3	2027284	4M BIT	1	MASK ROM, M40B97PB
BAT1	X505000700	CR2032	1	LITHIUM BATTERY
BAT1	Y502002001		1	SPONGE TAPE
BAT1	2027639		1	BATTERY HOLDER
CN1	2013284	36,	1	CONNECTOR 57RE-40360-830B(D7B)
CN10	2005704	8 PIN	1	CONNECTOR
CN11	2007097	3,	1	CONNECTOR
CN2	2023153	8,	1	CONNECTOR
CN3	2023034	12,	1	CONNECTOR
CN4	2022864	3,	1	CONNECTOR
CN5	X600440310	3 PIN	1	CONNECTOR
CN6-CN7	2017936	4,	2	CONNECTOR
CN8	2023336	25,	1	CONNECTOR
CR1	2021879	25MHZ,	1	CERAMIC OSCILLATOR
CR2	2023326	14MHZ,	1	CERAMIC OSCILLATOR
CR3	2023154	0KHZ,	1	QUARTZ OSCILLATOR
C1	X281312201	22PF 50V 5%	1	CHIP CAPACITOR
C11-C13	X281326801	68PF 50MV 5%	3	CHIP CAPACITOR
C14-C32	2002487	0.01UF 50V 10%	2	CHIP CAPACITOR
C15-C65	2004332	TP,10UF,50V,+20%,	2	ELECTROLYTIC CAPACITOR
C16-C42	2023447	TP,100UF,50V,+20%,	2	AL'UM. E'LYTIC. CAP.
C17-C43	X271601051	470PF 50V 10%	2	CHIP CAPACITOR

EPSON

STYLUS PHOTO EX

Page 2

REF	PART NO.	REMARKS	QTY	DESCRIPTION
C18-C19	X281326801	68PF 50MV 5%	2	CHIP CAPACITOR
C2-C4-C10	2002486	0.1UF DC25V +80% -20%	8	CHIP CAPACITOR
C20-C81	X281311011	100PF 50V 5%	2	CHIP CAPACITOR
C21-C28	2003619		2	CHIP CAPACITOR
C22-C25	2002487	0.01UF 50V 10%	4	CHIP CAPACITOR
C26-C29	2002486	0.1UF DC25V +80% -20%	2	CHIP CAPACITOR
C27	2023050	TP,220UF,10V,+,-20%,	1	AL' IUM. E' LYTIC. CAP.
C3	2023032	TP,0.012UF,50V,+,-10%,	1	CHIP CAPACITOR
C30-C40	2002486	0.1UF DC25V +80% -20%	2	CHIP CAPACITOR
C31-C84	X271121021	1000PF DC50V 10%	2	CHIP CERAMIC CAPACIT0R
C33-C45	2003619		2	CHIP CAPACITOR
C35-C38	X281311011	100PF 50V 5%	4	CHIP CAPACITOR
C41-C44	2002486	0.1UF DC25V +80% -20%	2	CHIP CAPACITOR
C46-C49	2002486	0.1UF DC25V +80% -20%	2	CHIP CAPACITOR
C48-C55	2016428	TP,33UF,16V,+,-20%,	2	ELECTROLYTIC CAPACITOR
C50-C52	2002487	0.01UF 50V 10%	3	CHIP CAPACITOR
C53-C56	2002486	0.1UF DC25V +80% -20%	2	CHIP CAPACITOR
C54	2011982	22UF 16V	1	ELECTRIC ALMI CAPACITOR
C57-C60	2002486	0.1UF DC25V +80% -20%	2	CHIP CAPACITOR
C58-C67	2002487	0.01UF 50V 10%	2	CHIP CAPACITOR
C59	2023447	TP,100UF,50V,+,-20%,	1	AL' IUM. E' LYTIC. CAP.
C61-C62	X271124711	470PF 50V 10%	2	CHIP CAPACITOR
C63-C64	2003503	TP,3300PF,50V,+,-10%,	2	CHIP CAPASITOR
C66	2004332	TP,10UF,50V,+,-20%,	1	ELECTROLYTIC CAPACITOR
C68	2003619		1	CHIP CAPACITOR
C69-C70	2002486	0.1UF DC25V +80% -20%	2	CHIP CAPACITOR
C71-C72	2003503	TP,3300PF,50V,+,-10%,	2	CHIP CAPASITOR
C73-C74	X271124711	470PF 50V 10%	2	CHIP CAPACITOR
C75-C83	2002487	0.01UF 50V 10%	2	CHIP CAPACITOR
C80	X271601051	470PF 50V 10%	1	CHIP CAPACITOR
C82-C93	2002486	0.1UF DC25V +80% -20%	2	CHIP CAPACITOR
C85-C94	X271121021	1000PF DC50V 10%	2	CHIP CERAMIC CAPACIT0R
C92	X281326801	68PF 50MV 5%	1	CHIP CAPACITOR
C95	X281311011	100PF 50V 5%	1	CHIP CAPACITOR
D1	2002872	30V 70MA	1	DIODE
D2-D4	2014230	80V,100MA,0MW,	2	DIODE
D6-D13	2021266	TP,60V,0.71A	8	DIODE
FL1-FL3	2005522		3	EMI FILTER
F1	X502036070	0.7A,50V	1	FUSE
IC1	2023322	100,	1	MICRO CONTROLLER, TMP95C061BF
IC10	2023157		1	TIMER IC, S-3510ANFJ
IC11	2014681	SOP,1K BIT,8	1	EEPROM, AT93C46-10SC
IC13	X422350079	HEX BUF/DRV OC HI-VOCT	1	TTL-IC
IC14-IC15	2017973		2	HIC
IC16	2021049		1	I/F IC, SN75LBC775
IC2	2026760	LC98200A-L,	1	GATE ARRY
IC3	X630114230	42 PIN	1	IC SOCKET
IC5	2023181	TP,1M BIT,70NS,40,	1	D-RAM
IC7	2023685	25 PIN	1	HIC, H8D2813E
IC9	2024507	8,	1	RESET IC, M62030FP
QM2	2023325	50V,50MA,300MW,	1	TRANSISTOR
Q1	2019965	-50V,-100MA,200MW,0,0,	1	TRANSISTOR
Q7	2024208	60V,5A,2W,0,0,	1	TRANSISTOR
Q7-Q9	1032224		1	HEAT SINK
Q7-Q9	B010303311	M3X6	2	C.B.SCREW
Q9	2024209	-60V,-5A,2W,0,0,	1	TRANSISTOR

EPSON STYLUS PHOTO EX

Page 3

REF	PART NO.	REMARKS	QTY	DESCRIPTION
RM1	2021626	TP,1KOHM,1/16W,+5%,	1	CHIP RESISTOR ARRAY
RM13	2021627	TP,3.3KOHM,1/16W,+5%,	1	CHIP RESISTOR ARRAY
RM14-RM16	2021621	TP,47OHM,1/16W,+5%,	3	CHIP RESISTOR ARRAY
RM2-RM6	2021627	TP,3.3KOHM,1/16W,+5%,	5	CHIP RESISTOR ARRAY
RM7	2021624	TP,100OHM,1/16W,+5%,	1	CHIP RESISTOR ARRAY
RM8-RM12	2021621	TP,47OHM,1/16W,+5%,	5	CHIP RESISTOR ARRAY
R10	2008778	120K OHM 1/10W 1%	1	CHIP RESISTOR
R11	2023158	TP,75KOHM,1/10W,+5%,	1	CHIP RESISTOR
R12-R164	2001535	15K OHM 1/10W 5%	2	CHIP RESISTOR
R121-R124	2005470	56K OHM 1/10W 5%	2	CHIP RESISTOR
R122-R125	2024216	TP,0.62OHM,+1%,	2	CHIP RESISTOR
R123-R126	X193011022	1K OHM 1/10W 5%	2	CHIP RESISTOR ERJ-6GEYJ102V
R129-R131	2024215	TP,0.47OHM,+1%,	2	CHIP RESISTOR
R130-R132	X193011022	1K OHM 1/10W 5%	2	CHIP RESISTOR ERJ-6GEYJ102V
R133-R134	2005470	56K OHM 1/10W 5%	2	CHIP RESISTOR
R135	2001541	1M OHM 1/10W 5%	1	CHIP RESISTOR
R136	X193012202	22 OHM 1/10W 5%	1	CHIP RESISTOR
R137-R142	X193011032	10K OHM 1/10W 5%	2	CHIP RESISTOR ERJ-6GEYJ103V
R140	2001520	100 OHM 1/10W 5%	1	CHIP RESISTOR
R143-R165	X193011032	10K OHM 1/10W 5%	2	CHIP RESISTOR ERJ-6GEYJ103V
R15-R83	2008955	200 OHM 1/4W 5%	2	CHIP RESISTOR
R16-R20	X193011032	10K OHM 1/10W 5%	2	CHIP RESISTOR ERJ-6GEYJ103V
R166-R167	2006289	56 OHM	2	CHIP RESISTOR
R17	2005056	10 OHM 1/10W 5%	1	CHIP RESISTOR
R18-R33	2023604	TP,698OHM,1/10W,+1%,	2	CHIP RESISTOR
R19	2023605	TP,9.091KOHM,1/10W,+1%	1	CHIP RESISTOR
R2-R13	2008955	200 OHM 1/4W 5%	2	CHIP RESISTOR
R21-R25	X193011032	10K OHM 1/10W 5%	2	CHIP RESISTOR ERJ-6GEYJ103V
R22.R53	X193211012	100 OHM 1/2W 5%	2	CHIP RESISTOR
R23-R37	2008817	1K OHM 1/10W 1%	2	CHIP RESISTOR
R24-R46	2013180	TP,2.87KOHM,1/10W,+1%,	2	CHIP RESISTOR
R26-R77	X193011032	10K OHM 1/10W 5%	2	CHIP RESISTOR ERJ-6GEYJ103V
R27-R29	2004793	TP,300OHM,1/10W,+5%,	3	CHIP RESISTOR ERJ-6GEYJ301V
R3	2001528	1.5K OHM 1/10W 5%	1	CHIP RESISTOR
R30	X193013312	330 OHM 1/10W 5% TP	1	CHIP RESISTOR
R31	2004793	TP,300OHM,1/10W,+5%,	1	CHIP RESISTOR ERJ-6GEYJ301V
R32-R45	2013100	TP,2.1KOHM,1/10W,+1%,	2	CHIP RESISTOR
R35-R41	X194604022	40.2K OHM 1/10W 1%	2	CHIP RESISTOR ERJ-6ENF4022V
R36-R47	X194601182	11.8K OHM 1/10W 1%	2	CHIP RESISTOR
R39-R40	2001532	5.6K OHM 1/10W 5%	2	CHIP RESISTOR
R42	X194601002	10K OHM 1/16W 1%	1	CHIP RESISTOR
R43	2005469	30K OHM	1	CHIP RESISTOR
R44	2023604	TP,698OHM,1/10W,+1%,	1	CHIP RESISTOR
R50-R51	2001519	68 OHM 1/10W 5%	2	CHIP RESISTOR
R52-R86	2001520	100 OHM 1/10W 5%	2	CHIP RESISTOR
R55-R90	2001517	47 OHM 1/10W 5%	2	CHIP RESISTOR
R57	X194603570	TP,357OHM,1/10W,+1%	1	CHIP RESISTOR
R58	2013179	TP,1.05KOHM,1/10W,+1%,	1	CHIP RESISTOR
R59	X194602151	2.15K OHM 1/10W 1%	1	CHIP RESISTOR
R6	2011643	TP,4.64KOHM,1/10W,+1%,	1	CHIP RESISTOR
R60	X194604751	4.75K OHM 1/10W 1%	1	CHIP RESISTOR
R65-R67	2001532	5.6K OHM 1/10W 5%	3	CHIP RESISTOR
R68-R70	2006284	0 OHM	3	CHIP RESISTOR
R7-R14	X193011022	1K OHM 1/10W 5%	2	CHIP RESISTOR ERJ-6GEYJ102V
R8	2005302	3.9K OHM	1	CHIP RESISTOR
R82-R138	2001531	3.3 OHM 1/10W 5%	2	CHIP RESISTOR

EPSON

STYLUS PHOTO EX

Page 4

REF	PART NO.	REMARKS	QTY	DESCRIPTION
R84	2024308	TP,2OHM,1W,+5%,	1	METAL FILM RESISTOR
R85-R87	2001519	68 OHM 1/10W 5%	2	CHIP RESISTOR
R9-R94	2006284	0 OHM	2	CHIP RESISTOR
R91	2001517	47 OHM 1/10W 5%	1	CHIP RESISTOR
R93	2024307	TP,4.7OHM,1W,+5%,	1	METAL FILM RESISTOR
450	2023066		1	BOARD ASSY., PANEL
300	2025849	220V/240V	1	BOARD ASSY., POWER SUPPLY
330	2023343		1	WIRE HARNESS
400	2006741	240V	1	POWER CABLE, BS31303SA-SR-10A
400	2010468	240V	1	AC CABLE, AS31303SI-A
412	2018028	220V/230V/240V	1	HARNESS
500	2026264	M-4G61	1	PRINTER MECHANISM, M-4G61
501	1036821		1	FRAME, TOP
502	1030343		1	FRAME, RIGHT
503	1036822		1	FRAME, FRONT
504	1036823		1	FRAME, BOTTOM
505	1039369		1	FRAME ASSY., LEFT
506	1036830		1	CARRIAGE ASSY.
507	1030380		1	LEVER, ADJUST
508	1030381		1	GROUNDING PLATE, HEAD
509	1036831		1	OIL PAD
510	1030387		1	SLIDER, CR
511	1030389		1	HOLDER, PULLEY, DRIVEN
512	1032969		1	SHEET, PROTECTION, HEAD
513	1030969		8	SHAFT, ROLLER, DRIVEN
514	1038961		12	ROLLER, DRIVEN;D
515	F057010	COMPOSITE BLACK/COLOUR	1	PRINT HEAD, IJ192-0BA
516	1031313		1	PULLEY ASSY., DRIVEN
517	1036832		1	TIMING BELT
518	1030408		7	PAPER GUIDE, UPPER
520	1036839		1	PAPER GUIDE, REAR
521	1037039		1	PAPER GUIDE ASSEMBLY, FRONT
522	1032646		1	PAPER GUIDE, RIGHT
523	1030968		8	SHAFT, PAPER GUIDE, UPPER
524	1030415		27	STAR WHEEL ASSY., 8 (NATURAL)
525	1032242		1	HOLDER, STAR WHEEL, RIGHT
526	1036844		1	HOLDER, STARWHEEL, SUPPORT
527	1032244		19	ROD SPRING, STAR WHEEL
528	1036824		1	FRAME, EJ
529	1036842		1	ROLLER ASSY., EJ
530	1036836		1	ROLLER, PF
532	2022329		1	CIRCUIT ASSY, PE
533	2022330		1	HARNESS, PE
534	1036877		1	LEVER, PE
535	1036878		1	HOLDER, PE
536	2021854	4V,50MA,100MW,	1	DETECTOR, HP
537	2022326		1	HARNESS, HP
538	2025876	DC3.4V/0.43A/1.46W ST	1	MOTOR, PF
539	1031323	DC42V/0.46A/19.3W SM	1	MOTOR ASSY, CR
540	1036833		1	SHAFT, CR, GUIDE
541	1038322		1	PUMP ASSY.;D
542	1037028		1	CAP ASSEMBLY
543	1034969		1	CLEANER, HEAD, ASP
544	1037978		1	GUIDE PLATE ASSY., CABLE
545	1030392		1	BUSHING, PARALLELISM ADJUST, LEFT
546	1030393		1	BUSHING, PARALLELISM ADJUST, RIGHT

EPSON STYLUS PHOTO EX

Page 5

REF	PART NO.	REMARKS	QTY	DESCRIPTION
547	1037577		1	LEVER, PG
548	1030395		1	LEVER, PG, SUPPORT
549	1037093		1	BUSHING, 12, LEFT
550	1030422		2	BUSHING, 6
551	1030454		1	LEVER, CHANGE
552	1032608		2	STOPPER, STACKER
553	1030353		1	SPUR GEAR, 11.5
554	1039368		1	SPUR GEAR, 23.2
555	1030402		1	SPUR GEAR, 67.2
556	1030424		1	SPUR GEAR, 36
557	1030452		1	SPUR GEAR, 26.4
558	1030453		1	COMBINATION GEAR, 16, 40.8
559	1031001		1	COMBINATION GEAR, 8, 14.4
560	1031055		1	COMBINATION GEAR, 8.8, 21.6
561	1030955		1	COMPRESSION SPRING, 19.6
562	1037092		1	COMPRESSION SPRING, 5.86
563	1030965		1	COMPRESSION SPRING, 0.9
564	1030956		8	TORSION SPRING, 117.6
565	1030958		1	TORSION SPRING, 0.22
566	1032240		1	TORSION SPRING, 63.7
567	1030967		2	PLAIN WASHER, 12.2X0.5X15
568	1030971		2	PLAIN WASHER, 4.1X0.5X6.5
569	1030975		2	SPACER, C-RING
570	B101254590	6.2X0.15X11	1	LEAF SPRING
571	B150300711	TYPE-E(4)	2	RETAINING RING
572	B300204211	M3X6	18	C.B.S. SCREW
573	1023219		1	PRESSURE NUT, 2
574	1024505		3	HEXAGON NUT, NORMAL, M3
575	1031164		3	C-RING
576	1032300		2	C.P.S-TITE(P4), 3X6, F/ZN
577	1032301		1	SCALLOP SPRING PIN-AW, 2X16, F/B
578	1032723		1	HOLDER, STARWHEEL, FRONT
579	1033652		1	STARHWEEL, 8;B
580	1034669		1	POROUS PAD, SLIDER, CAP
581	1025513		1	FLANGE, PULLEY, DRIVEN
583	1037026		1	HOLDER, STARWHEEL, MIDDLE
584	1036849		1	EXTENSION SPRING, 0.29
585	1036875		1	GROUNDING PLATE, PAPER GUIDE, FRONT
586	B303404211	M3X6	1	C.B.S.(O) SCREW
587	1037094		1	SPACER, FASTEN, ROLLER, PF
588	1037095		1	SPACER, FASTEN, ROLLER, PF;B
589	1037345		1	GROUNDING PLATE, ROLLER, PF
590	1037724		1	PAPER SUPPORT, SUPPORT, UPPER
700	1037032		1	PAD ASSEMBLY, LEFT
701	1037033		1	PAD ASSEMBLY, RIGHT
702	1030961		1	TORSION SPRING, 1.22, LEFT
703	1030442		1	HOLDER, EDGE GUIDE, LEFT
704	1030449		1	LEVER, PAD, RELEASE, LEFT
705	1030434		1	LEVER, PAPER RETURN, LEFT
706	1037579		1	TORSION SPRING, 1.22, RIGHT
707	1030450		1	LEVER, PAD, RELEASE, RIGHT
708	1030455		1	HOLDER, EDGE GUIDE, RIGHT
709	1030420		2	ROD SPRING, HOLDER, PAD
710	1030435		1	LEVER, PAPER RETURN, RIGHT
711	1030436		2	ROLLER, LD, SUPPORT
712	1036873		1	HOLDER, ROLLER, LD, SUPPORT, RIGHT

EPSON

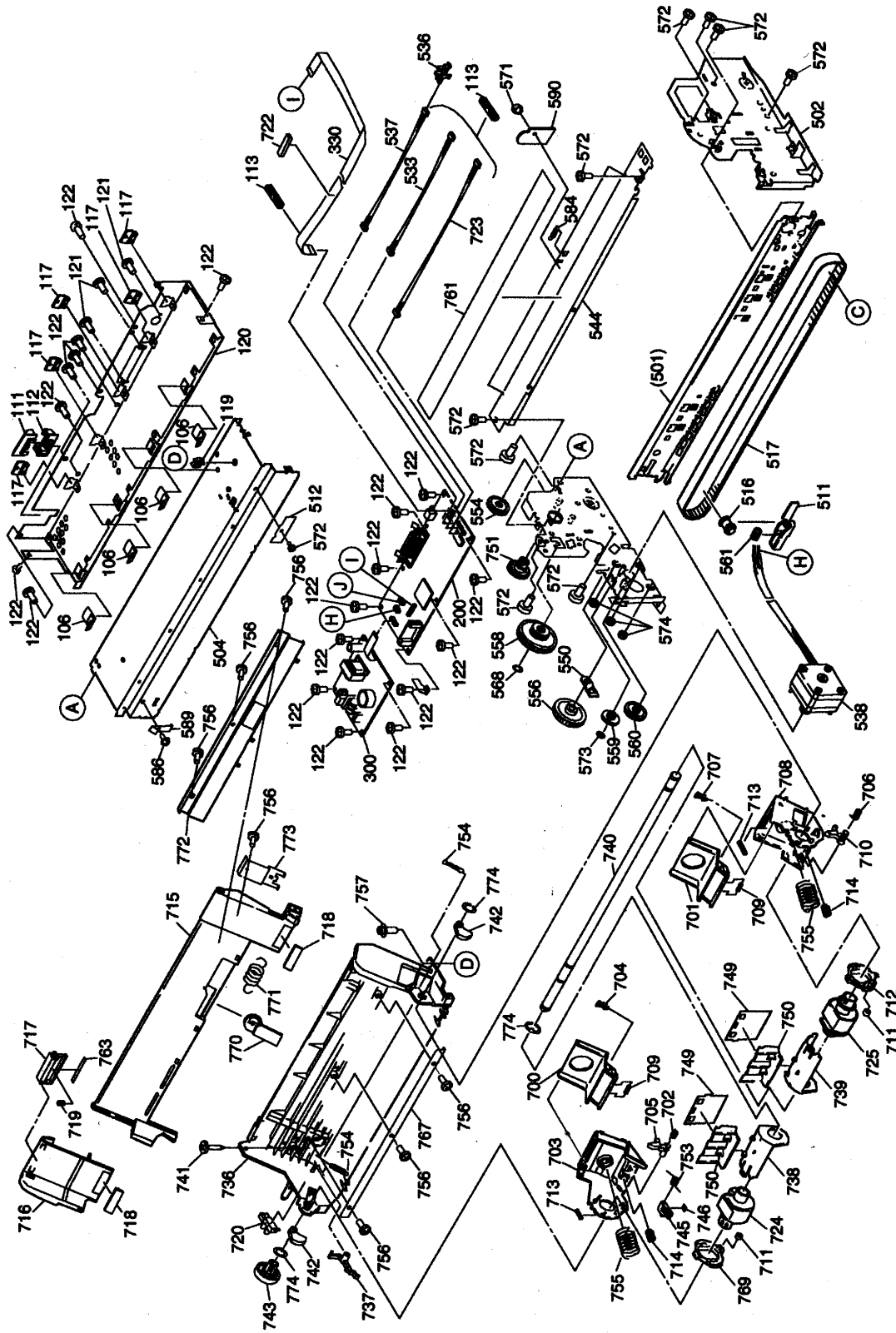
STYLUS PHOTO EX

Page 6

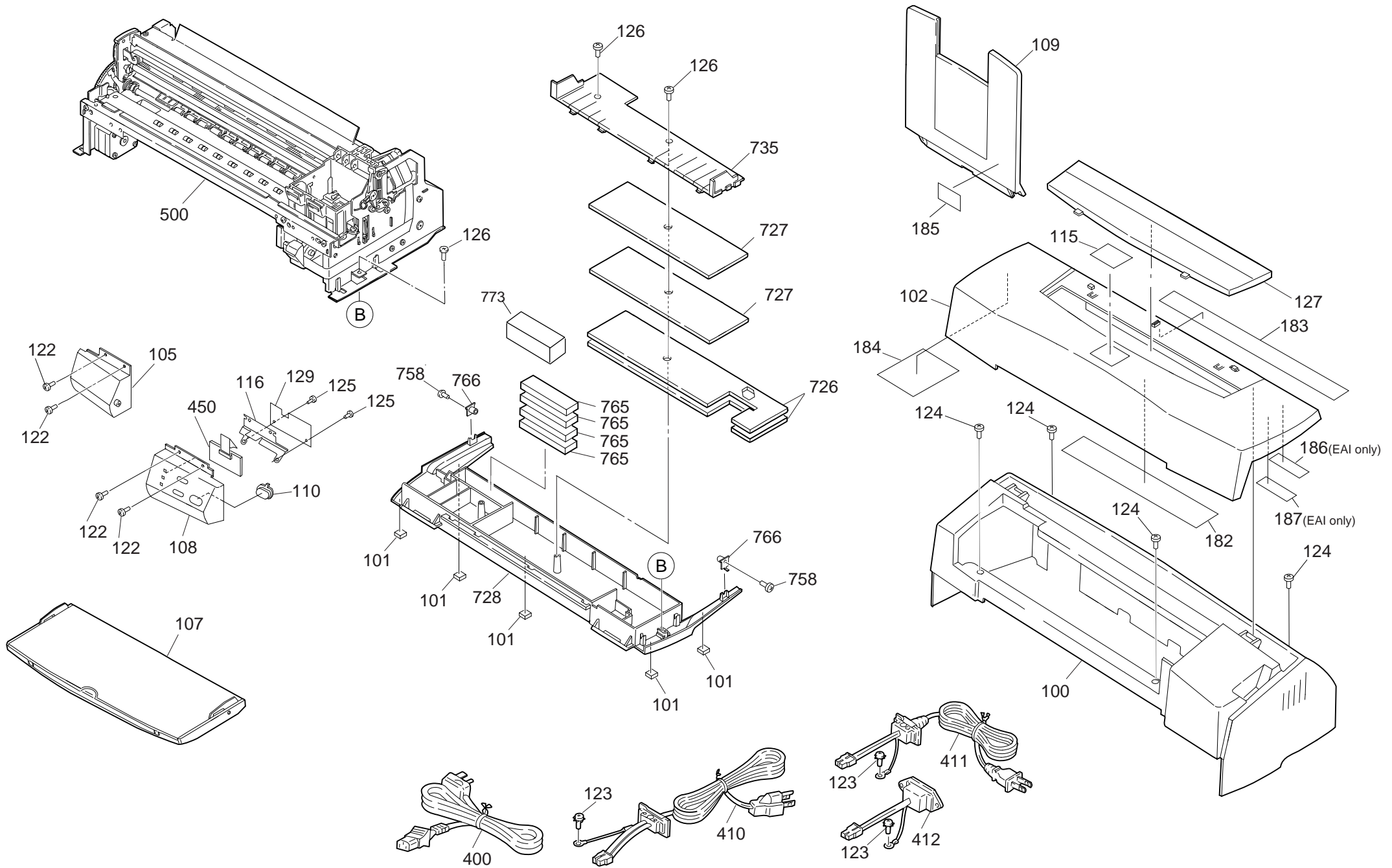
REF	PART NO.	REMARKS	QTY	DESCRIPTION
713	1036874		1	EXTENSION SPRING, 0.62
714	1036867		2	COMPRESSION SPRING, 1.17
715	1036846		1	HOPPER
716	1036852		1	EDGE GUIDE
717	1030429		1	SLIDER, EDGE GUIDE
718	1030446		2	CORK
719	1030960		1	COMPRESSION SPRING, 3.23
720	2021854	4V,50MA,100MW,	1	DETECTOR, HP
721	2025466		1	CABLE, HEAD
722	1033220		1	SPACER, CABLE HEAD
723	2025477		1	HARNESS, ASF
724	1037034		1	ROLLER ASSEMBLY, LD, LEFT
725	1037035		1	ROLLER, ASSEMBLY, LD, RIGHT
726	1030372		2	POROUS PAD, INK EJECT, LARGE
727	1030373		2	POROUS PAD, INK EJCT, SMALL
728	1036826		1	TRAY, POROUS PAD
729	1037575		1	COVER CARTRIDGE, BK
730	1037576		1	COVER CARTRIDGE, C
731	1030378		1	SEPARATOR, CARTRIDGE, BK
732	1032254		1	SEPARATOR, CARTRIDGE, C
733	1032255		1	FASTENER, HEAD
734	1032256		1	HOLDER, CABLE
735	1036840		1	PAPER GUIDE, LOWER
736	1036845		1	FRAME, ASF
737	1030430		2	LEVER, FASTEN, EDGEGUIDE
738	1030438		1	COVER, ROLLER, LD, LEFT
739	1030439		1	COVER, ROLLER, LD, RIGHT
740	1036853		1	SHAFT, ROLLER, LD
741	1005416		1	SHAFT, MOUNT, CR
742	1036865		2	LEVER, HOPPER, RELEASE
743	1036870		1	WHEEL, DETECT
745	1030951		1	LEVER, BRAKE
746	1030970		1	PAD, BREAK
747	1030973		1	SPACER, TRAY
749	1032246		2	SHEET, PAPER FEED
750	1032247		2	HOLDER, SHEET, PAPER FEED
751	1036871		1	SPURGEAR, 34
752	1030954		1	TORSION SPRING, 49
753	1030966		1	TORSION SPRING, 41.2
754	1030959		2	EXTENSION SPRING, 0.088
755	1036868		2	COMPRESSION SPRING, 1.961
756	1024130		8	C.B.P-TITE SCREW, 3X6, F/ZN
757	1032300		1	C.P.S-TITE(P4), 3X6, F/ZN
758	B300204611	M3X14	2	C.B.S. SCREW
761	1037165		1	SHEET, CABLE
763	1033016		1	PAD, BREAK, EDGE GUIDE
765	1036827		4	POROUS PAD, SUPPORT
766	1036828		2	BUSHING, FASTEN, TRAY
767	1036863		1	STRENGTHEN PLATE, FRAME, ASF
769	1036872		1	HOLDER, ROLLER, LD, SUPPORT, LEFT
770	1036847		1	PAPER SUPPORT, HOPPER
771	1036849		1	EXTENSION SPRING, 0.29
772	1036850		1	STRENGTHEN PLATE, HOPPER, MAIN
774	B150300911	TYPE-E(6)	3	RETAINING RING

EPSON STYLUS PHOTO EX

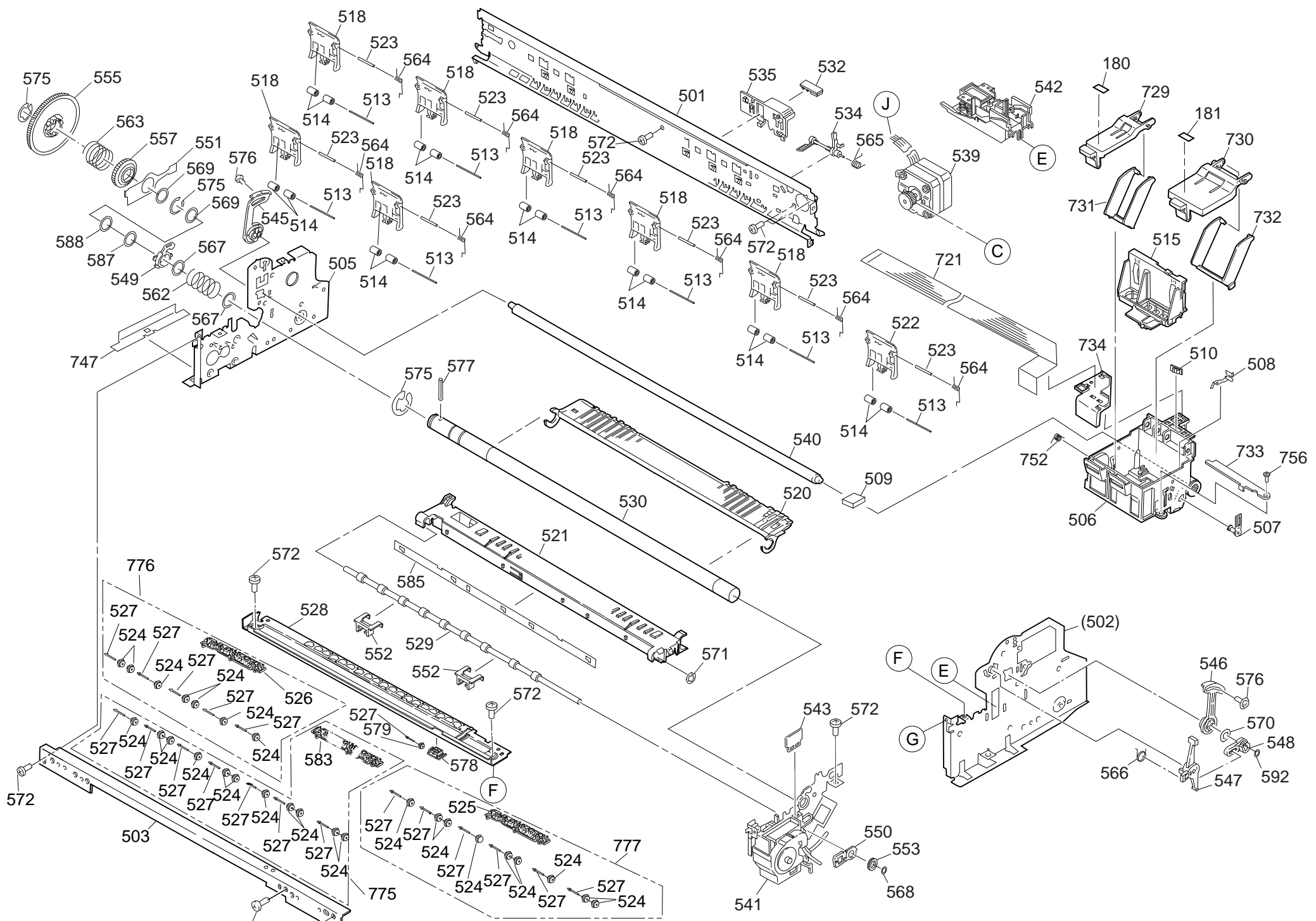
Page 8



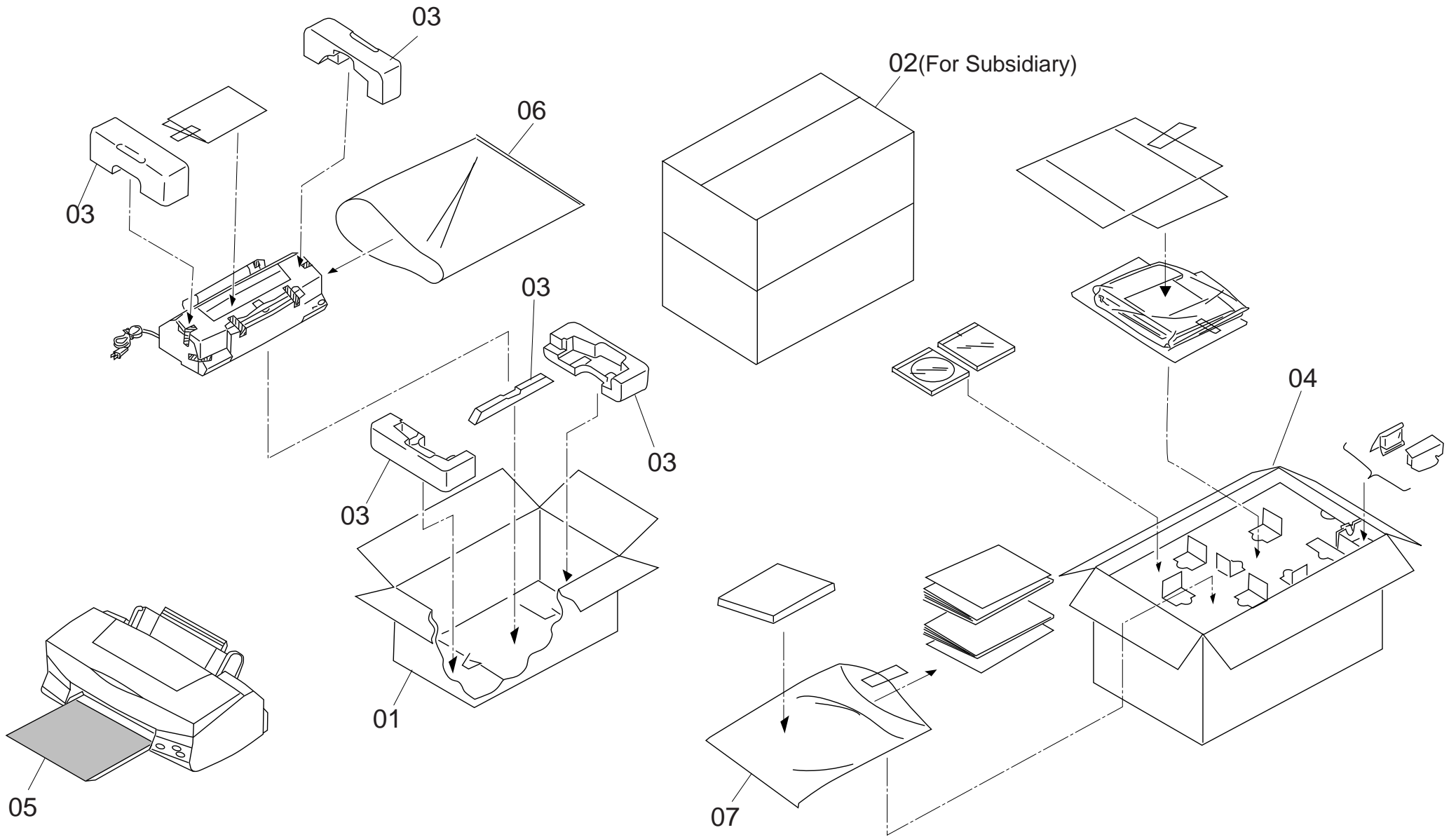
EXPLODED DIAGRAM FOR EPSON STYLUS Photo EX FIG.2



EXPLODED DIAGRAM FOR EPSON STYLUS Photo EX (1/3) Rev.02 1949



EXPLODED DIAGRAM FOR EPSON STYLUS Photo EX (3/3) Rev.03 1949



PACKING MATERIAL FOR EPSON STYLUS Photo EX