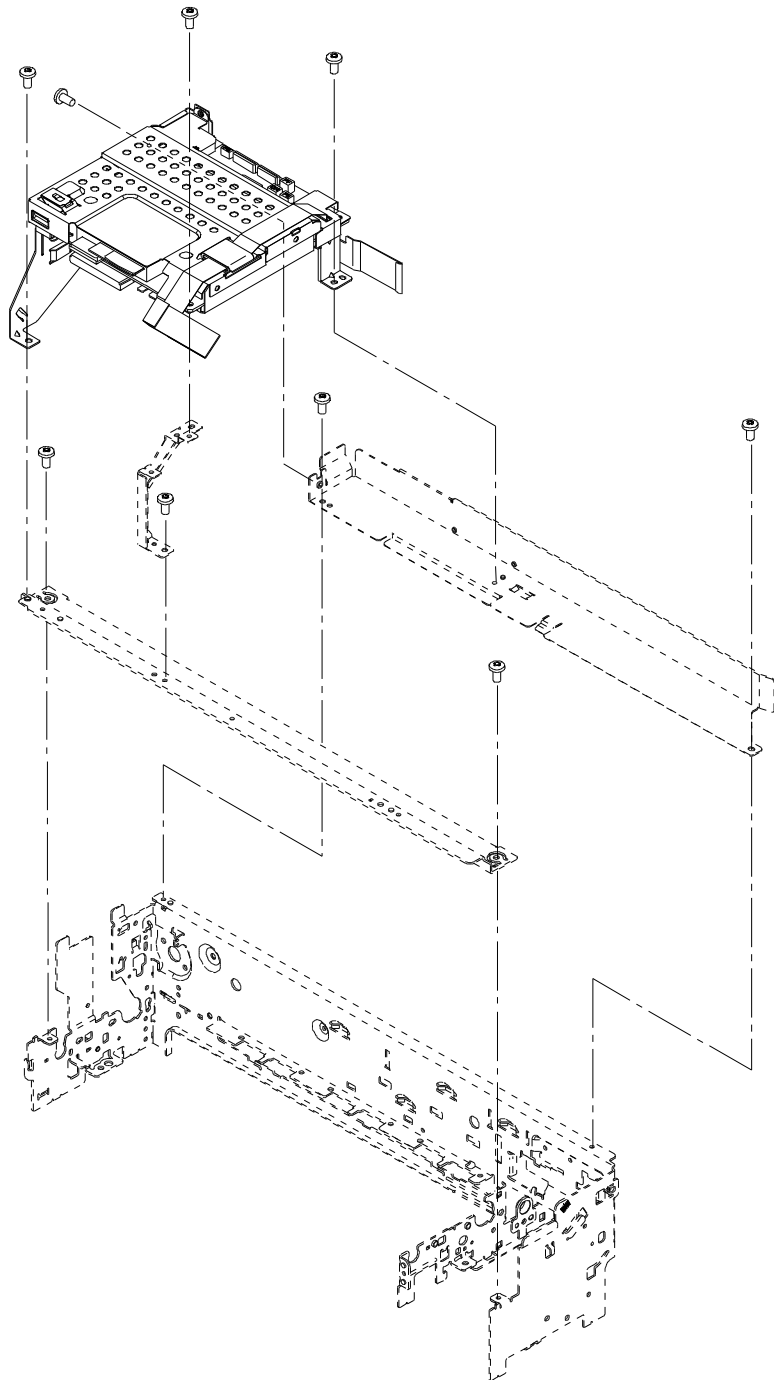
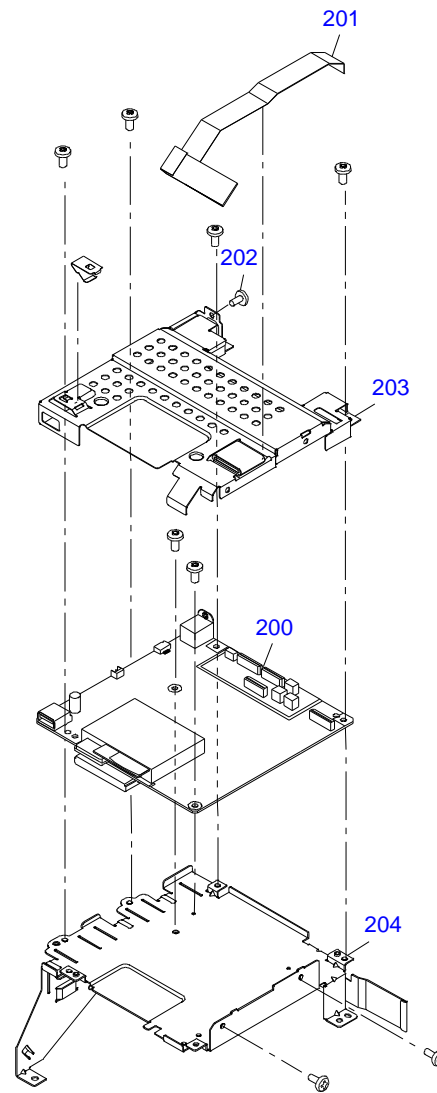


The parts to which no reference number is assigned will not be available as after-sale service parts.

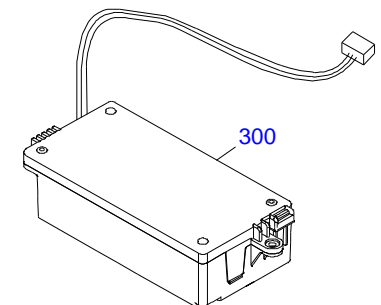


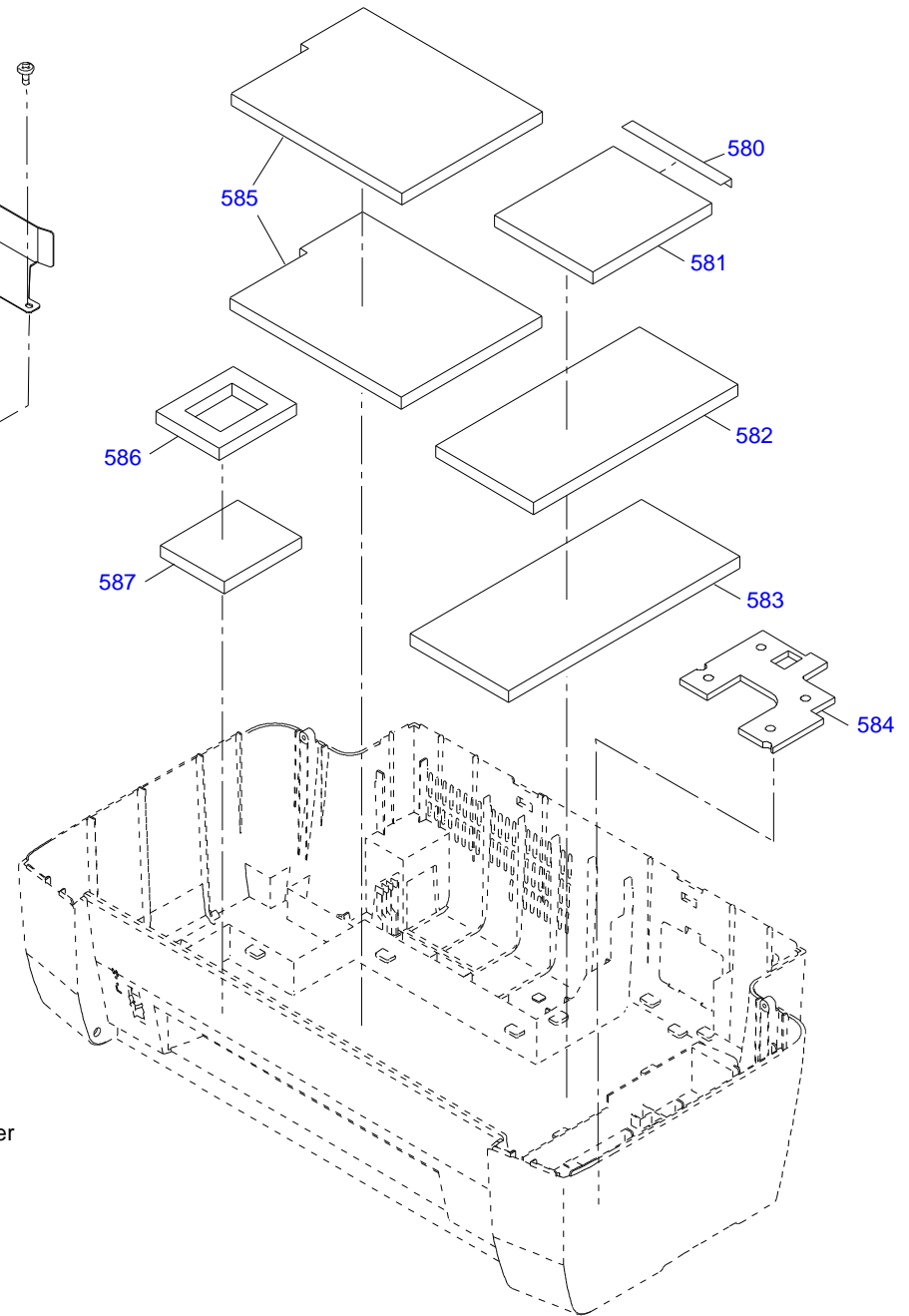
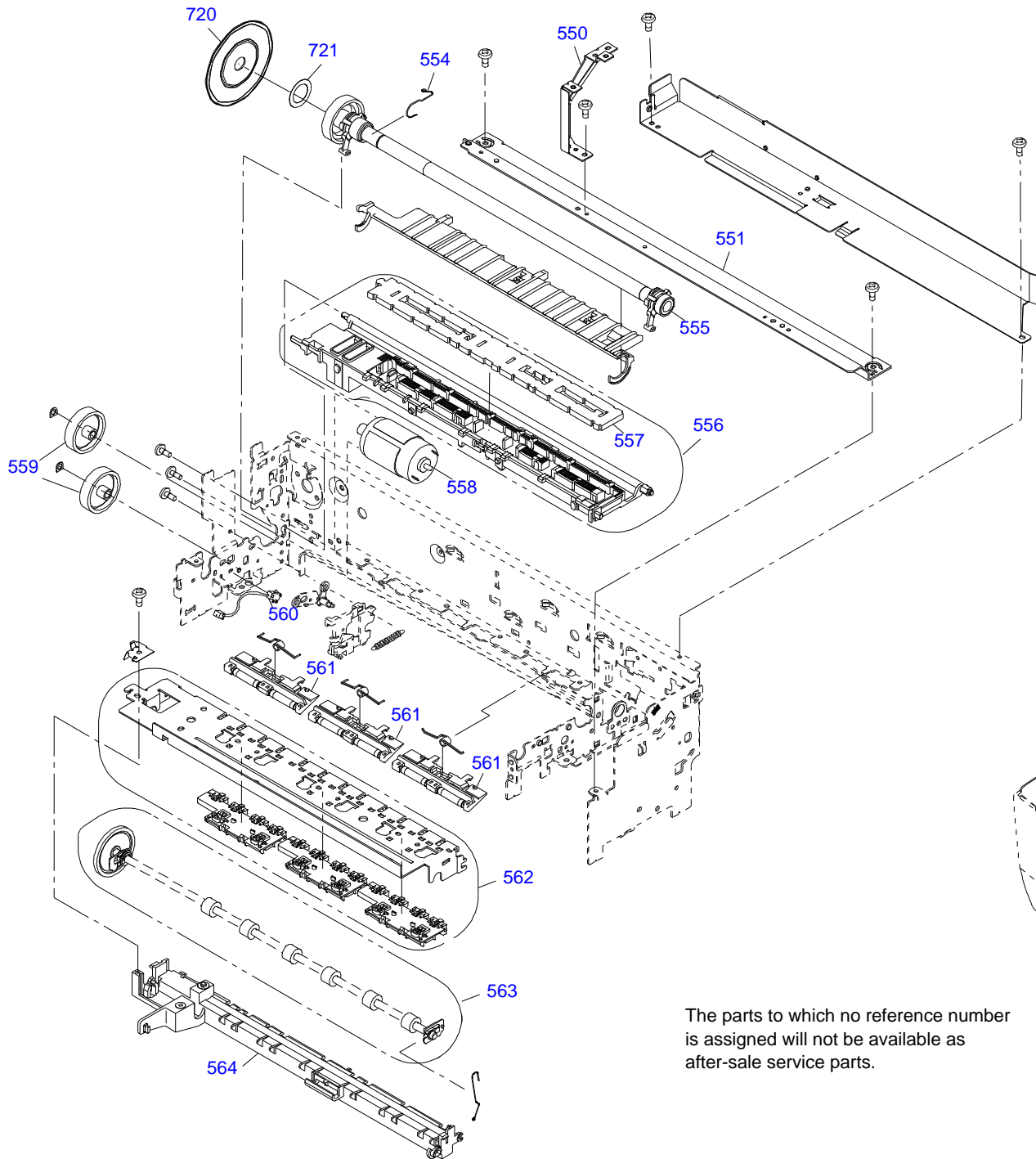
PM-D600 / EPSON Stylus Photo R240/R245/R250



REV.01 C606-ELEC-001

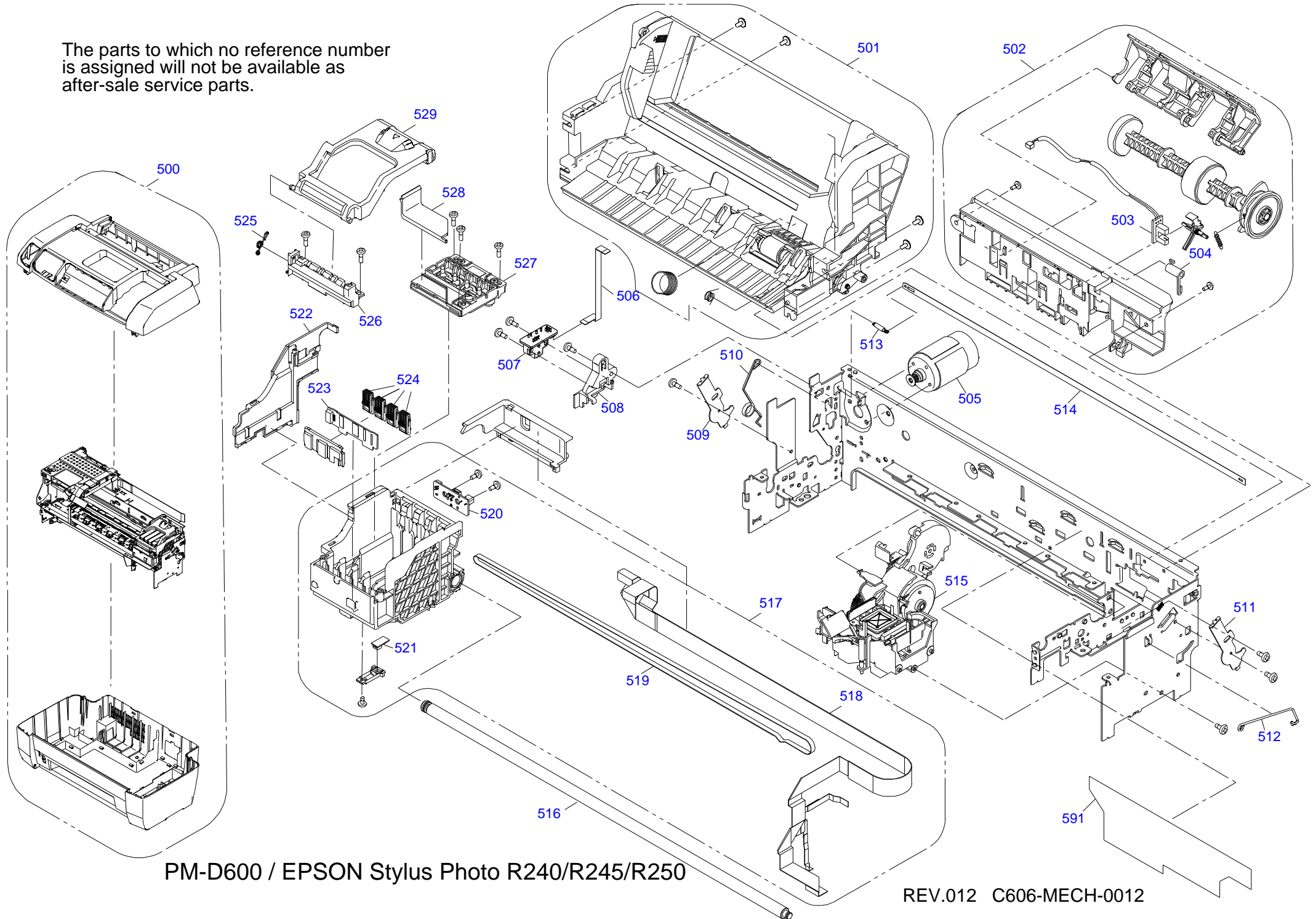
The parts to which no reference number is assigned will not be available as after-sale service parts.





The parts to which no reference number is assigned will not be available as after-sale service parts.

The parts to which no reference number is assigned will not be available as after-sale service parts.



PM-D600 / EPSON Stylus Photo R240/R245/R250

Part Code	Part Name	Ref No.	Category	Qty	Remark
1288281	INK CART.UNBOXED,B-SS,DYE;F11C,WST,AS	NONFIG	Accessories	1	
1288282	INK CART.UNBOXED,C-SS,DYE;F11C,WST,AS	NONFIG	Accessories	1	
1288283	INK CART.UNBOXED,M-SS,DYE;F11C,WST,AS	NONFIG	Accessories	1	
1288284	INK CART.UNBOXED,Y-SS,DYE;F11C,WST,AS	NONFIG	Accessories	1	
2068890	POWER CABLE	NONFIG	Accessories	1	
3100877	SOFTWARE CD,FIGD	NONFIG	Accessories	1	
3100879	SOFTWARE CD,EPRS	NONFIG	Accessories	1	
4103085	SETTING UP MANUAL	NONFIG	Accessories	1	
4103087	USER'S GUIDE	NONFIG	Accessories	1	
1410838	PAPER SUPPORT ASSY.	101	Case	1	
1410785	COVER,PRINTER;EFS2	102	Case	1	
1427131	HOUSING,UPPER;EDG2;B	103	Case	1	
1410783	HOUSING,LOWER;EDG2	104	Case	1	
1410796	COVER,INK TUBE;EDG2	105	Case	1	
1108107	FOOT	106	Case	4	
1410837	STACKER ASSY.	107	Case	1	
1410798	LEVER,PG;EPG2	108	Case	1	
1410793	COVER,CARD SLOT;EDG2	109	Case	1	
1410794	LENS,CARD SLOT	110	Case	1	
1410795	COVER,PB;EDG2	111	Case	1	
1410807	GROUNDING PLATE,PANEL	112	Case	1	
1410797	COVER,USB;EDG2	113	Case	1	
1410305	LABEL,INK,POSITION	114	Case	1	
1410805	COVER,LCD	120	Case	1	
1410799	BUTTON,PANEL;EBCK	121	Case	1	
1410803	BUTTON,LENS,RIGHT	122	Case	1	
1410804	BUTTON,LENS,LEFT	123	Case	1	
1410800	BUTTON,SW;EBCK	124	Case	1	
1410801	BUTTON,SW,COPY UPPER;EBCK	125	Case	1	
1410802	BUTTON,SW,COPY LOWER;EBCK	126	Case	1	
2103651	HARNESS	127	Case	1	
2104687	LCD MODULE	128	Case	1	
2103647	BOARD ASSY.,PANEL	129	Case	1	
1410806	SHIELD PLATE,PANEL	130	Case	1	
2109432	BOARD ASSY.,MAIN	200	Electronic Parts	1	
2103649	HARNESS	201	Electronic Parts	1	
1282387	C.P.SCREW,3X4,F/ZN-3C	202	Electronic Parts	1	
1409444	SHIELD PLATE,M/B,UPPER	203	Electronic Parts	1	
1409443	SHIELD PLATE,M/B	204	Electronic Parts	1	
1410835	P/S BOARD ASSY.;220V	300	Electronic Parts	1	
2106580	PRINTER MECHANISM(ASP)MAK16-100	500	Mechanism Parts	1	
1409897	ASF UNIT	501	Mechanism Parts	1	
1427156	HOLDER,SHAFT ASSY.;B	502	Mechanism Parts	1	
2104560	BOARD ASSY.,DETECTOR	503	Mechanism Parts	1	
1295162	TORSION SPRING,137.7	504	Mechanism Parts	1	
2104179	MOTOR ASSY.,CR	505	Mechanism Parts	1	
2103443	CABLE,ENCODER,PF	506	Mechanism Parts	1	
2103145	BOARD ASSY.,ENCODER,PF;B	507	Mechanism Parts	1	
1408051	HOLDER,BOARD ASSY.,ENCODER,PF	508	Mechanism Parts	1	

1279686	LEVER,PARALLEL ADJUSTMENT,LEFT	509	Mechanism Parts	1
1279687	TORSION SPRING,SHAFT,CR,GUIDE	510	Mechanism Parts	1
1279683	LEVER,PARALLEL ADJUSTMENT,RIGHT	511	Mechanism Parts	1
1280780	PRESSING SPRING,SHAFT,CR,GUIDE	512	Mechanism Parts	1
1261564	EXTENSION SPRING,3.289	513	Mechanism Parts	1
1279691	SCALE,CR	514	Mechanism Parts	1
1410733	INK SYSTEM ASSY.	515	Mechanism Parts	1
1279688	SHAFT,CR GUIDE	516	Mechanism Parts	1
1420663	CR SUB ASSY.	517	Mechanism Parts	1
2103442	CABLE,HEAD	518	Mechanism Parts	1
1279690	TIMING BELT,CR	519	Mechanism Parts	1
2101872	BOARD ASSY.,ENCODER;C	520	Mechanism Parts	1
2109392	BOARD ASSY.,DETECTOR,PW	521	Mechanism Parts	1
1409448	COVER,CABLE,HEAD	522	Mechanism Parts	1
2088095	BOARD ASSY.,CSIC	523	Mechanism Parts	1
2060802	CONNECTER,CSIC	524	Mechanism Parts	4
1274963	TORSION SPRING,LEVER,CARTRIDGE;B	525	Mechanism Parts	1
1290662	GUIDE,IC	526	Mechanism Parts	1
F164030	PRINT HEAD	527	Mechanism Parts	1
1279681	COVER,FFC,SUB	528	Mechanism Parts	1
1409454	COVER,CARTRIDGE	529	Mechanism Parts	1
1409445	STAY,SHIELD PLATE,M/B	550	Mechanism Parts	1
1407753	FRAME,GUIDE,CR	551	Mechanism Parts	1
1280911	SCALE,PF;B	552	Mechanism Parts	1
1212722	DOUBLE SIDED TAPE,D21	553	Mechanism Parts	1
1261589	GROUNDING SPRING,PF	554	Mechanism Parts	1
1405516	ROLLER,PF ASSY.	555	Mechanism Parts	1
1409898	PAPER GUIDE,FRONT ASSY.	556	Mechanism Parts	1
1279708	POROUS PAD,PAPER GUIDE,FRONT	557	Mechanism Parts	1
2104175	MOTOR ASSY.,PF	558	Mechanism Parts	1
1279697	SPUR GEAR,30.8	559	Mechanism Parts	1
2104178	DETECTOR ASSY.,PG	560	Mechanism Parts	1
1405284	PAPER GUIDE,UPPER ASSY.	561	Mechanism Parts	3
1410916	STARWHEEL ASSY.	562	Mechanism Parts	1
1425018	ROLLER,EJ ASSY.	563	Mechanism Parts	1
1279699	PAPER GUIDE,FRONT,SUPPORT	564	Mechanism Parts	1
1423432	SHEET,POROUS PAD,PROTECT	580	Mechanism Parts	1
1410702	POROUS PAD,INK EJECT,RIGHT,UPPER	581	Mechanism Parts	1
1410700	POROUS PAD,INK EJECT,RIGHT,MIDDLE	582	Mechanism Parts	1
1410698	POROUS PAD,INK EJECT,RIGHT,LOWER	583	Mechanism Parts	1
1404059	POROUS PAD,CAP,LOWER	584	Mechanism Parts	1
1410697	POROUS PAD,INK EJECT,MIDDLE	585	Mechanism Parts	2
1410699	POROUS PAD,INK EJECT,LEFT,UPPER	586	Mechanism Parts	1
1410696	POROUS PAD,INK EJECT,LEFT,LOWER	587	Mechanism Parts	1
1421324	LABEL,FRAME,MAIN	591	Mechanism Parts	1
1080614	GREASE G-26 (40GR)(B702600001)	NONFIG	Tools	1
1304682	GREASE G-71	NONFIG	Tools	1
1409257	GREASE G74	NONFIG	Tools	1
6022798	Shipping Cleaning Liquid,CR02,18kg	NONFIG	Tools	1
6022805	Shipping Cleaning Liquid,CR02,1kg	NONFIG	Tools	1

Part Code	Part Name	Ref No.	Category	Qty	Remark
-----------	-----------	---------	----------	-----	--------