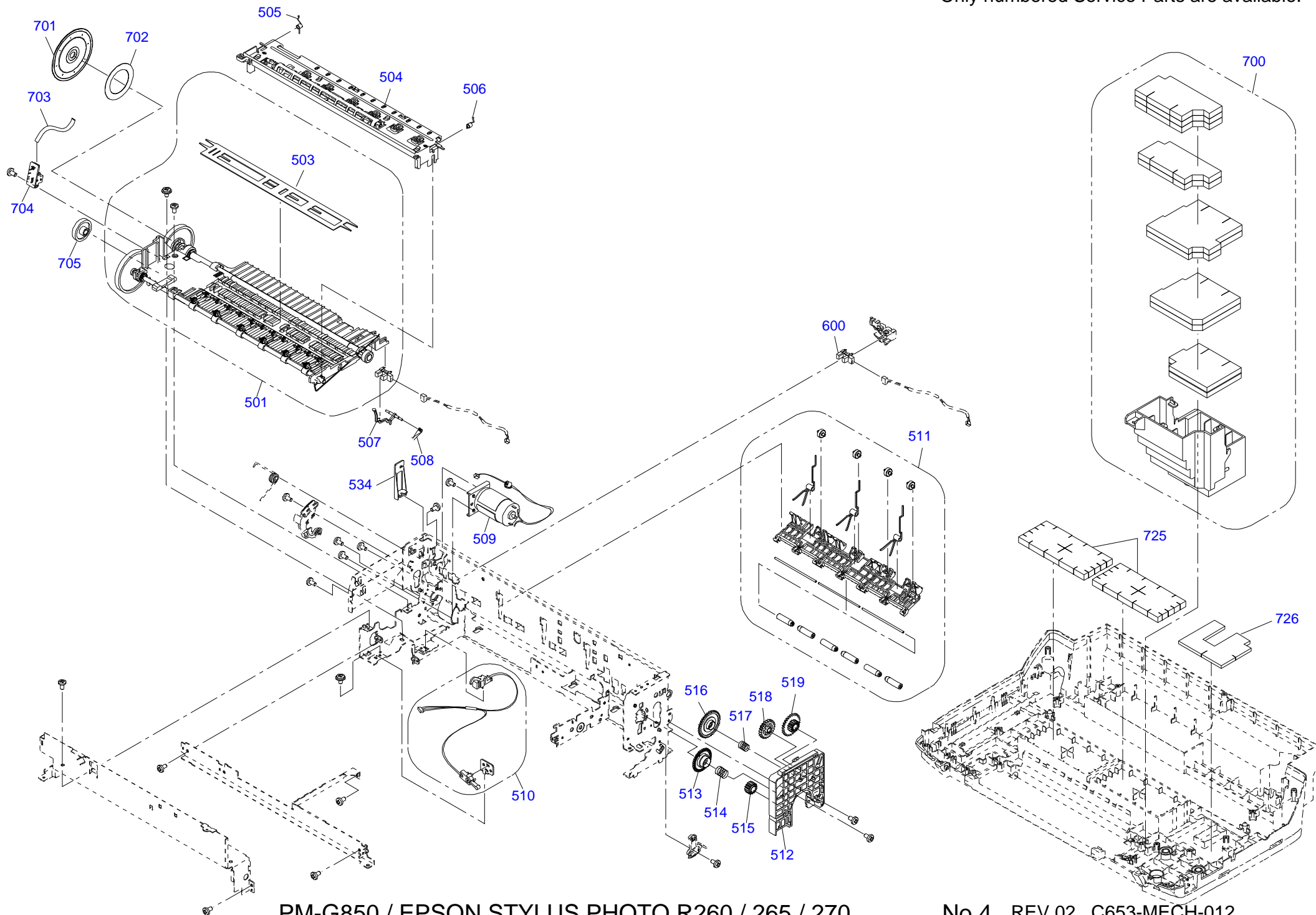
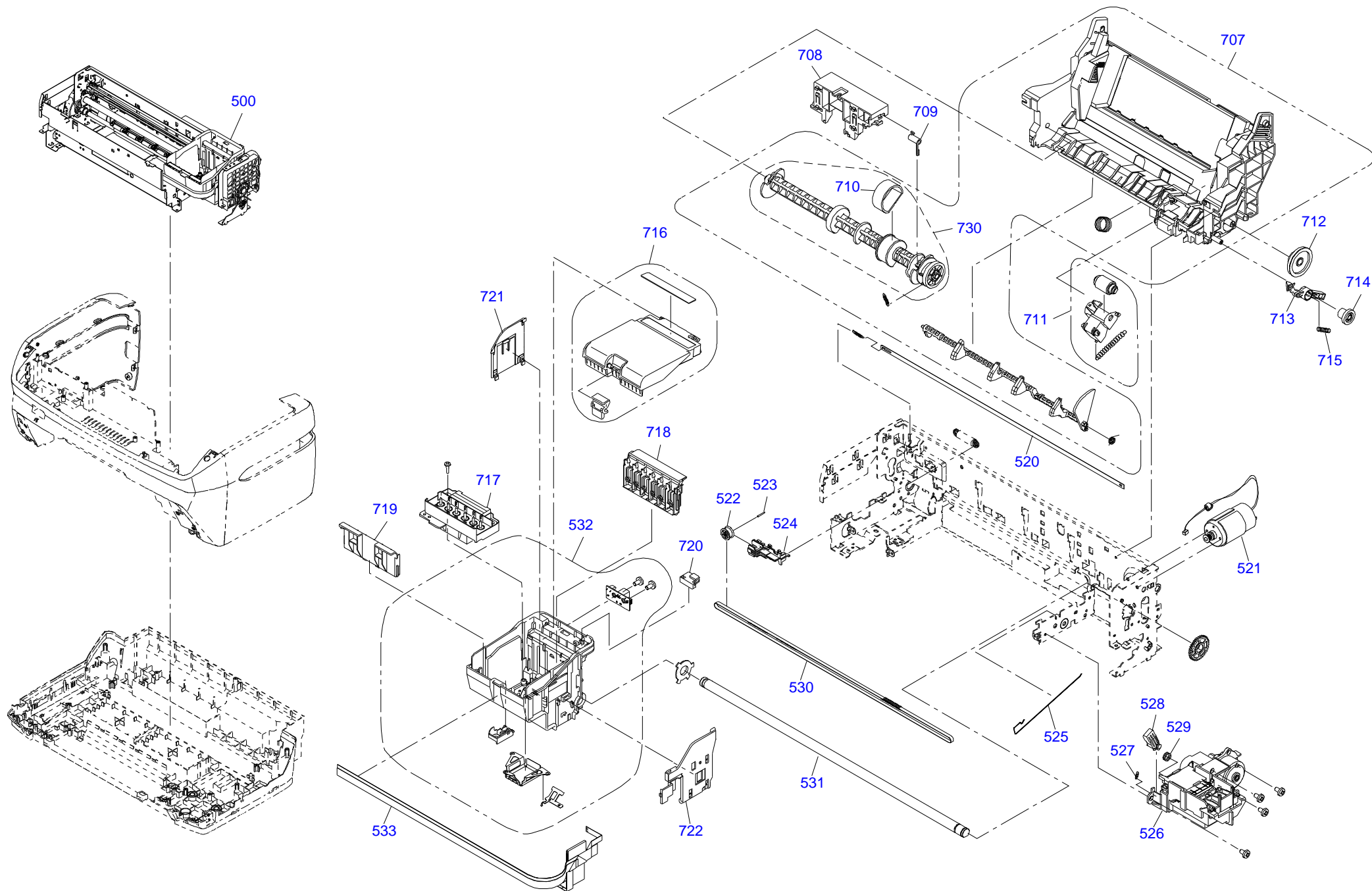


Only numbered Service Parts are available.





Part Code	Part Name	Ref No.	Category	Qty	Remark
<a href="#">1480469</a>	TRAY CDR ASSY.;C653;ASP	<a href="#">1</a>	Accessories	1	
<a href="#">2107706</a>	POWER CABLE	<a href="#">400</a>	Accessories	1	
<a href="#">1443536</a>	INK CART.UNBOXED,BK-SS,DYE;H62F,A/A,AS	<a href="#">NON FIG</a>	Accessories	1	
<a href="#">1443537</a>	INK CART.UNBOXED,C-SS,DYE;H62F,A/A,AS	<a href="#">NON FIG</a>	Accessories	1	
<a href="#">1443538</a>	INK CART.UNBOXED,M-SS,DYE;H62F,A/A,AS	<a href="#">NON FIG</a>	Accessories	1	
<a href="#">1443539</a>	INK CART.UNBOXED,Y-SS,DYE;H62F,A/A,AS	<a href="#">NON FIG</a>	Accessories	1	
<a href="#">1443540</a>	INK CART.UNBOXED,LC-SS,DYE;H62F,A/A,AS	<a href="#">NON FIG</a>	Accessories	1	
<a href="#">1443541</a>	INK CART.UNBOXED,LM-SS,DYE;H62F,A/A,AS	<a href="#">NON FIG</a>	Accessories	1	
<a href="#">3102150</a>	SOFTWARE CD,E/R/UK	<a href="#">NON FIG</a>	Accessories	1	
<a href="#">4106233</a>	SETTING UP MANUAL	<a href="#">NON FIG</a>	Accessories	1	
<a href="#">4113494</a>	SETTING UP MANUAL	<a href="#">NON FIG</a>	Accessories	1	
<a href="#">1446859</a>	HOUSING LOWER ASSY.,C653;EPPI	<a href="#">100</a>	Case	1	
<a href="#">1108107</a>	FOOT	<a href="#">103</a>	Case	7	
<a href="#">1421136</a>	DAMPER,STACKER	<a href="#">104</a>	Case	2	
<a href="#">1467973</a>	SPUR GEAR,12;B	<a href="#">105</a>	Case	2	
<a href="#">1431474</a>	GUIDE,STACKER,LEFT	<a href="#">106</a>	Case	1	
<a href="#">1431473</a>	GUIDE,STACKER,RIGHT	<a href="#">107</a>	Case	1	
<a href="#">1410044</a>	TORSION SPRING,LEVER,CDR,GUIDE	<a href="#">108</a>	Case	1	
<a href="#">1431472</a>	LEVER,GUIDE,CDR	<a href="#">109</a>	Case	1	
<a href="#">1409986</a>	SHAFT,CDR	<a href="#">110</a>	Case	1	
<a href="#">1438280</a>	STACKER SUPPORT ASSY,C653;EPPI	<a href="#">111</a>	Case	1	
<a href="#">1442080</a>	COVER,PRINTER;H	<a href="#">112</a>	Case	1	
<a href="#">1452628</a>	PAPER SUPPORT ASSY., C653;EPPI	<a href="#">113</a>	Case	1	
<a href="#">1437200</a>	HOUSING,USB	<a href="#">114</a>	Case	1	
<a href="#">1437186</a>	HOUSING,UPPER	<a href="#">115</a>	Case	1	
<a href="#">1437192</a>	HOUSING,LEFT	<a href="#">116</a>	Case	1	
<a href="#">1437190</a>	HOUSING,RIGHT	<a href="#">117</a>	Case	1	
<a href="#">1437189</a>	HOUSING,MIDDLE	<a href="#">118</a>	Case	1	
<a href="#">1437210</a>	GROUNDING PLATE,PANEL	<a href="#">119</a>	Case	1	
<a href="#">1437218</a>	GROUNDING PLATE,M/B,LEFT	<a href="#">120</a>	Case	1	
<a href="#">1463649</a>	GROUNDING PLATE,M/B,RIGHT;B	<a href="#">121</a>	Case	1	
<a href="#">1437223</a>	GROUNDING PLATE,USB	<a href="#">122</a>	Case	1	
<a href="#">1437211</a>	SPRING,STACKER	<a href="#">123</a>	Case	2	
<a href="#">1040649</a>	LOCK,STACKER	<a href="#">124</a>	Case	2	
<a href="#">1437201</a>	HOUSING,PANEL	<a href="#">125</a>	Case	1	
<a href="#">1437205</a>	OPTICAL TUBE	<a href="#">126</a>	Case	1	
<a href="#">1437202</a>	BUTTON,PS	<a href="#">127</a>	Case	1	
<a href="#">1442085</a>	BUTTON,I/C;B	<a href="#">128</a>	Case	1	
<a href="#">1442087</a>	BUTTON,PAPER LOAD;B	<a href="#">129</a>	Case	1	
<a href="#">2109952</a>	HARNES	<a href="#">130</a>	Case	1	
<a href="#">1437209</a>	SHIELD PLATE,PANEL	<a href="#">131</a>	Case	1	
<a href="#">1437187</a>	HOUSING,FRONT	<a href="#">132</a>	Case	1	
<a href="#">1437196</a>	COVER,FRONT	<a href="#">133</a>	Case	1	
<a href="#">1437199</a>	HOUSING,FRONT,LEFT	<a href="#">134</a>	Case	1	
<a href="#">1437198</a>	HOUSING,FRONT,RIGHT	<a href="#">135</a>	Case	1	
<a href="#">1446449</a>	LABEL,INSTRUCTION	<a href="#">137</a>	Case	1	
<a href="#">2117968</a>	BOARD ASSY.,MAIN	<a href="#">200</a>	Electronic Parts	1	
<a href="#">2109868</a>	BOARD ASSY.,PANEL	<a href="#">201</a>	Electronic Parts	1	



<a href="#">2109870</a>	BOARD ASSY.,INTER FACE	<a href="#">202</a>	Electronic Parts	1
<a href="#">1438498</a>	POWER SUPPLY ASSY,C653 PSE;EPPI	<a href="#">300</a>	Electronic Parts	1
<a href="#">2052893</a>	FUSE(X502036040)	<a href="#">F2</a>	Electronic Parts	1
<a href="#">2121746</a>	PRINTER MECHANISM,ASP MAQ11-102	<a href="#">500</a>	Mechanism Parts	1
<a href="#">1487928</a>	PAPER GUIDE FRONT ASSY.,C653,ASP	<a href="#">501</a>	Mechanism Parts	1
<a href="#">1463787</a>	POROUS PAD,PAPER GUIDE,FRONT	<a href="#">503</a>	Mechanism Parts	1
<a href="#">1480374</a>	FRAME EJ ASSY.,C653;ASP	<a href="#">504</a>	Mechanism Parts	1
<a href="#">1410323</a>	TORSION SPRING,FRAME,EJ,LEFT	<a href="#">505</a>	Mechanism Parts	1
<a href="#">1410043</a>	TORSION SPRING,FRAME,EJ	<a href="#">506</a>	Mechanism Parts	1
<a href="#">1410051</a>	LEVER,PE	<a href="#">507</a>	Mechanism Parts	1
<a href="#">1447953</a>	TORSION SPRING,LEVER,PE	<a href="#">508</a>	Mechanism Parts	1
<a href="#">1438922</a>	MOTOR,ASSY.,PF;B	<a href="#">509</a>	Mechanism Parts	1
<a href="#">1438264</a>	DETECTOR GUIDE CDR ASSY,C653;EPPI	<a href="#">510</a>	Mechanism Parts	1
<a href="#">1465137</a>	PAPER GUIDE UPPER ASSY;C691;EPPI	<a href="#">511</a>	Mechanism Parts	1
<a href="#">1481233</a>	HOLDER,APG	<a href="#">512</a>	Mechanism Parts	1
<a href="#">1465029</a>	SPUR GEAR,28.8	<a href="#">513</a>	Mechanism Parts	1
<a href="#">1416886</a>	COMPRESSION SPRING,2.25	<a href="#">514</a>	Mechanism Parts	1
<a href="#">1409938</a>	SPUR GEAR,12.8	<a href="#">515</a>	Mechanism Parts	1
<a href="#">1468745</a>	SPUR GEAR,33.6;B	<a href="#">516</a>	Mechanism Parts	1
<a href="#">1409943</a>	COMPRESSION SPRING,0.97	<a href="#">517</a>	Mechanism Parts	1
<a href="#">1409945</a>	COMBINATION GEAR,12.8,27	<a href="#">518</a>	Mechanism Parts	1
<a href="#">1409946</a>	COMBINATION GEAR,14,22	<a href="#">519</a>	Mechanism Parts	1
<a href="#">1409999</a>	SCALE,CR	<a href="#">520</a>	Mechanism Parts	1
<a href="#">2110568</a>	MOTOR ASSY.,CR	<a href="#">521</a>	Mechanism Parts	1
<a href="#">1467981</a>	PULLEY,DRIVEN;B	<a href="#">522</a>	Mechanism Parts	1
<a href="#">1262438</a>	SHAFT,PULLEY,DRIVEN	<a href="#">523</a>	Mechanism Parts	1
<a href="#">1292714</a>	HOLDER,PULLEY,DRIVEN	<a href="#">524</a>	Mechanism Parts	1
<a href="#">1444296</a>	GROUNDING WIRE,PFEJ	<a href="#">525</a>	Mechanism Parts	1
<a href="#">1477826</a>	INK SYSTEM ASSY.;C653;ASP	<a href="#">526</a>	Mechanism Parts	1
<a href="#">1409580</a>	EXTENSION SPRING,0.8	<a href="#">527</a>	Mechanism Parts	1
<a href="#">1481010</a>	LOCK,CR	<a href="#">528</a>	Mechanism Parts	1
<a href="#">1474961</a>	COMPRESSION SPRING,0.98	<a href="#">529</a>	Mechanism Parts	1
<a href="#">1292709</a>	TIMING BELT,CR	<a href="#">530</a>	Mechanism Parts	1
<a href="#">1409935</a>	SHAFT,GUIDE,CR	<a href="#">531</a>	Mechanism Parts	1
<a href="#">1446952</a>	CARRIAGE ASSEMBLY,C653;ASP	<a href="#">532</a>	Mechanism Parts	1
<a href="#">1438269</a>	CABLE HEAD ASSY,C653;EPPI	<a href="#">533</a>	Mechanism Parts	1
<a href="#">1470171</a>	HOLDER,HARNESS	<a href="#">534</a>	Mechanism Parts	1
<a href="#">2090532</a>	PHOTO INTERRUPTER,TLP1243(C8)	<a href="#">600</a>	Mechanism Parts	1
<a href="#">1438290</a>	TRAY, POROUS PAD ASSY,C653;EPPI	<a href="#">700</a>	Mechanism Parts	1
<a href="#">1262694</a>	SCALE,PF	<a href="#">701</a>	Mechanism Parts	1
<a href="#">1212722</a>	DOUBLE SIDED TAPE,D21	<a href="#">702</a>	Mechanism Parts	1
<a href="#">2111049</a>	CABLE,ENCODER,PF	<a href="#">703</a>	Mechanism Parts	1
<a href="#">2116736</a>	BOARD ASSY.,ENCODER,PF	<a href="#">704</a>	Mechanism Parts	1
<a href="#">1438752</a>	SPUR GEAR,26.5	<a href="#">705</a>	Mechanism Parts	1
<a href="#">1437206</a>	HOLDER,FFC	<a href="#">706</a>	Mechanism Parts	1
<a href="#">1494273</a>	ASF ASSY.,M,C653;EPPI	<a href="#">707</a>	Mechanism Parts	1
<a href="#">1473588</a>	GUIDE,ROLLER,LD	<a href="#">708</a>	Mechanism Parts	1
<a href="#">1295162</a>	TORSION SPRING,137.7	<a href="#">709</a>	Mechanism Parts	1
<a href="#">1075955</a>	ROLLER,LD;B	<a href="#">710</a>	Mechanism Parts	1
<a href="#">1447353</a>	HOLDER ROLLER RETARD ASSY.,M,C653;EPPI	<a href="#">711</a>	Mechanism Parts	1

<a href="#">1409638</a>	COMBINATION GEAR,16.8,32.8	<a href="#">712</a>	Mechanism Parts	1
<a href="#">1474785</a>	LEVER,CHANGE;B	<a href="#">713</a>	Mechanism Parts	1
<a href="#">1279710</a>	SPUR GEAR,16	<a href="#">714</a>	Mechanism Parts	1
<a href="#">1250632</a>	COMPRESSION SPRING,2.36	<a href="#">715</a>	Mechanism Parts	1
<a href="#">1438398</a>	COVER CARTRIDGE ASSY,C653;EPPI	<a href="#">716</a>	Mechanism Parts	1
<a href="#">F173040</a>	PRINT HEAD	<a href="#">717</a>	Mechanism Parts	1
<a href="#">1438308</a>	CSIC ASSY,C653;EPPI	<a href="#">718</a>	Mechanism Parts	1
<a href="#">1431479</a>	COLOR,BLOCK	<a href="#">719</a>	Mechanism Parts	1
<a href="#">1431478</a>	HINGE,COVER,CARTRIDGE	<a href="#">720</a>	Mechanism Parts	1
<a href="#">1431483</a>	COVER,CABLE,HEAD,INNER	<a href="#">721</a>	Mechanism Parts	1
<a href="#">1431482</a>	COVER,CABLE,HEAD	<a href="#">722</a>	Mechanism Parts	1
<a href="#">1437220</a>	FRAME,M/B	<a href="#">723</a>	Mechanism Parts	1
<a href="#">1437215</a>	GROUNDING PLATE,FRAME,M/B	<a href="#">724</a>	Mechanism Parts	1
<a href="#">1410023</a>	POROUS PAD,HOUSING,LOWER	<a href="#">725</a>	Mechanism Parts	2
<a href="#">1474317</a>	POROUS PAD,INK EJ,CAP,LOWER	<a href="#">726</a>	Mechanism Parts	1
<a href="#">1466932</a>	SHAFT ROLLER,LD ASSY;C691;EPPI	<a href="#">730</a>	Mechanism Parts	1
<a href="#">1053480</a>	I PACK,319LM	<a href="#">NON FIG</a>	Tools	1
<a href="#">1416817</a>	CLEANING SHEET,L	<a href="#">NON FIG</a>	Tools	1
<a href="#">1453980</a>	PFP BASE SCALE	<a href="#">NON FIG</a>	Tools	1
<a href="#">1455324</a>	GREASE G-77 (50CC)	<a href="#">NON FIG</a>	Tools	1
<a href="#">6022802</a>	Special Repair Liquid,1,1kg	<a href="#">NON FIG</a>	Tools	1

Part Code	Part Name	Ref No.	Category	Qty	Remark
-----------	-----------	---------	----------	-----	--------