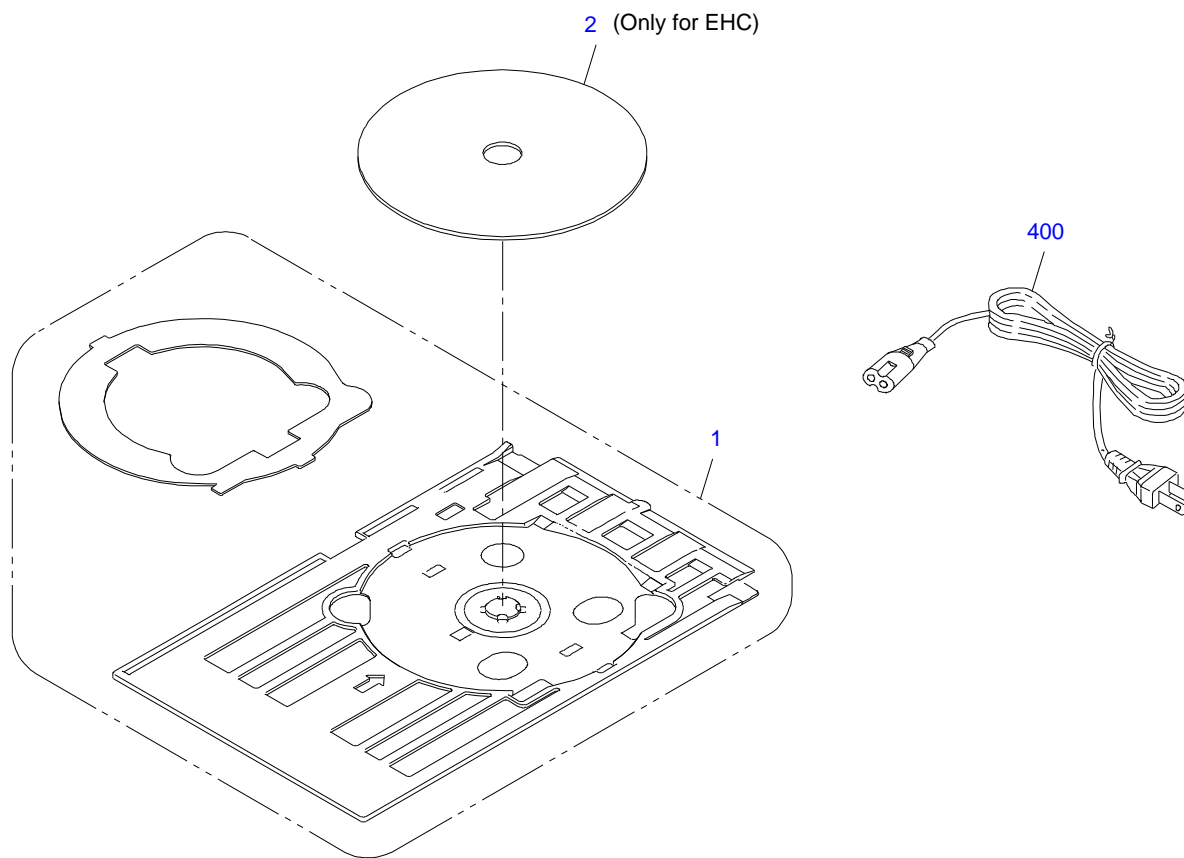
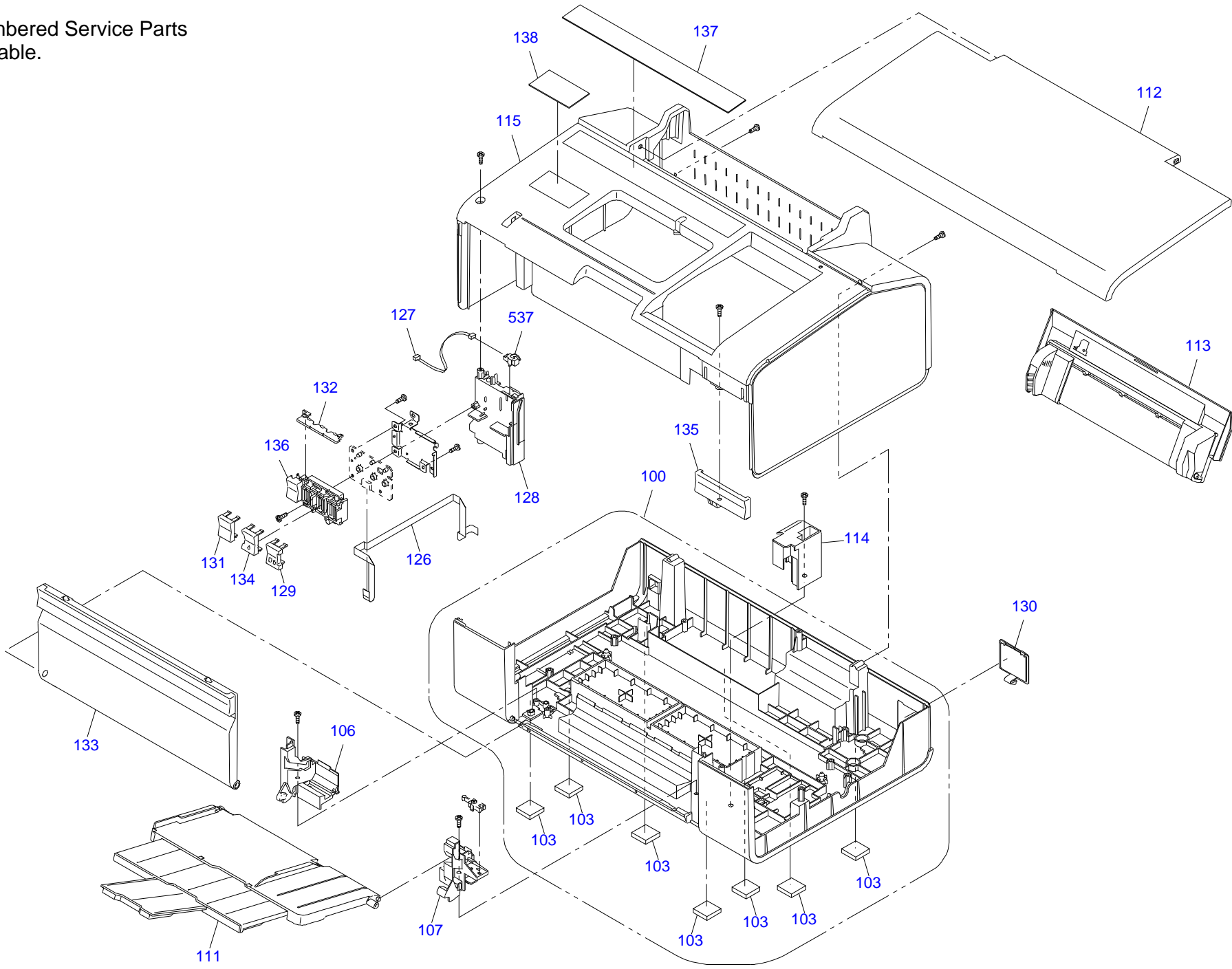


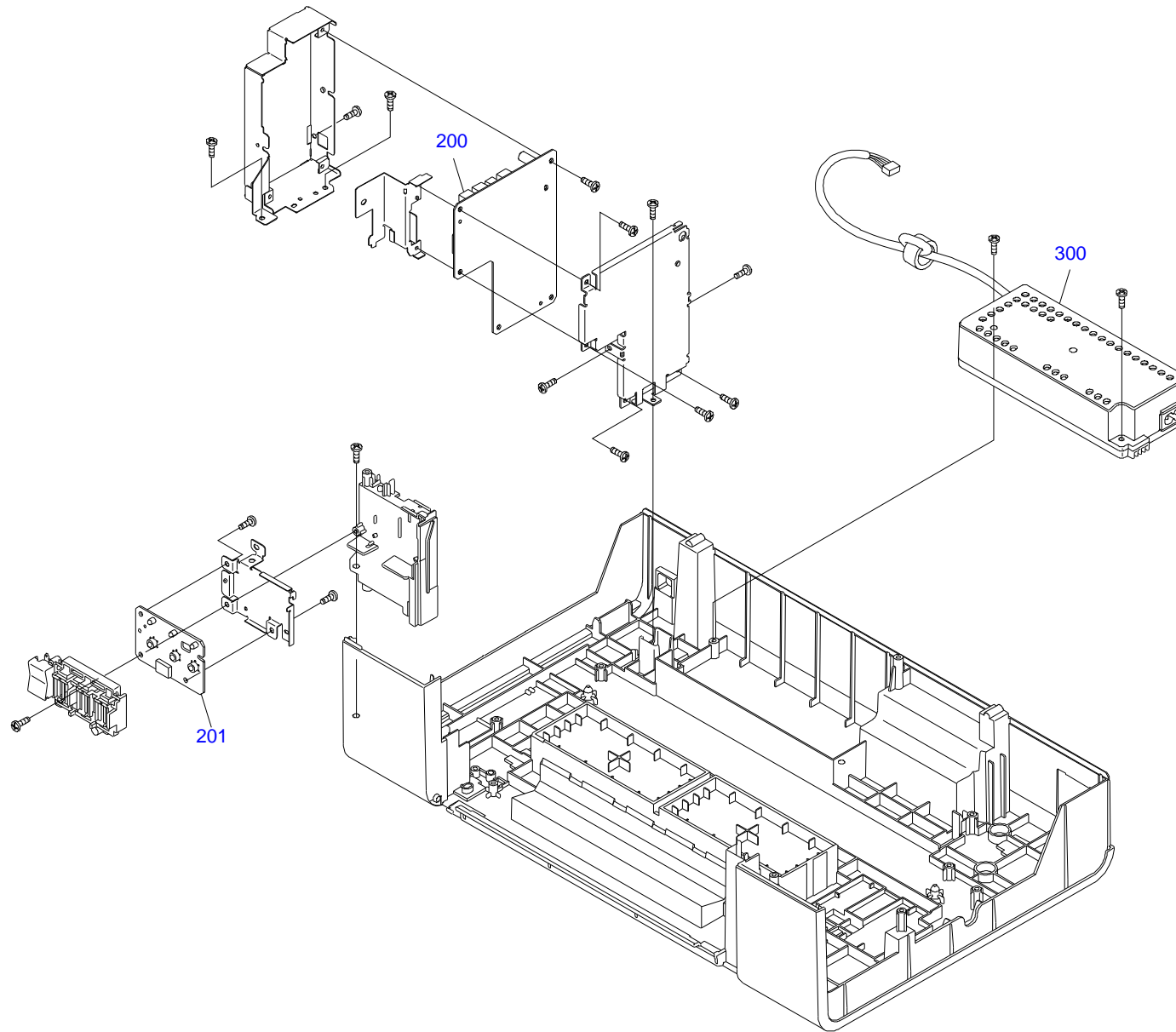
Only numbered Service Parts
are available.



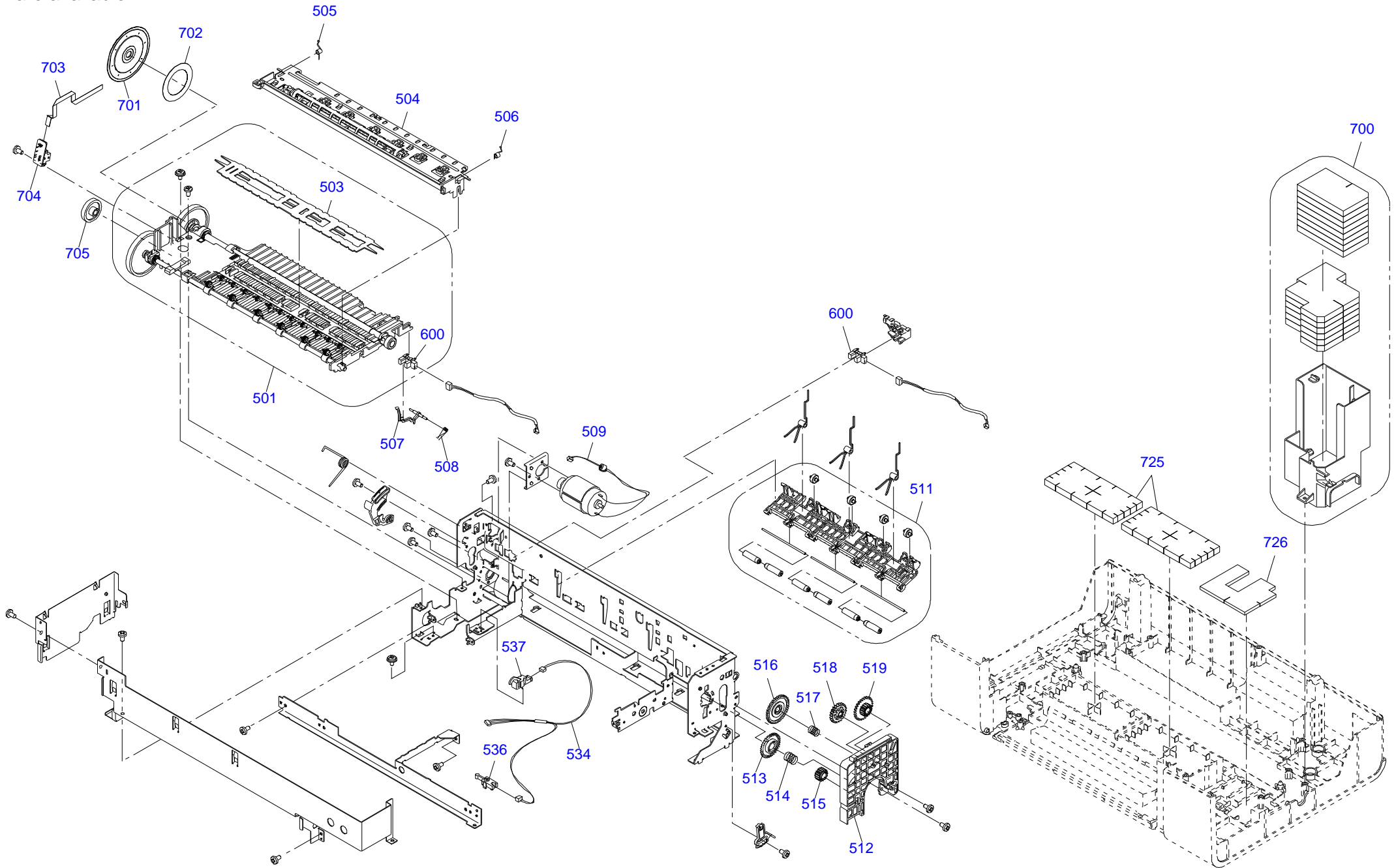
Only numbered Service Parts
are available.



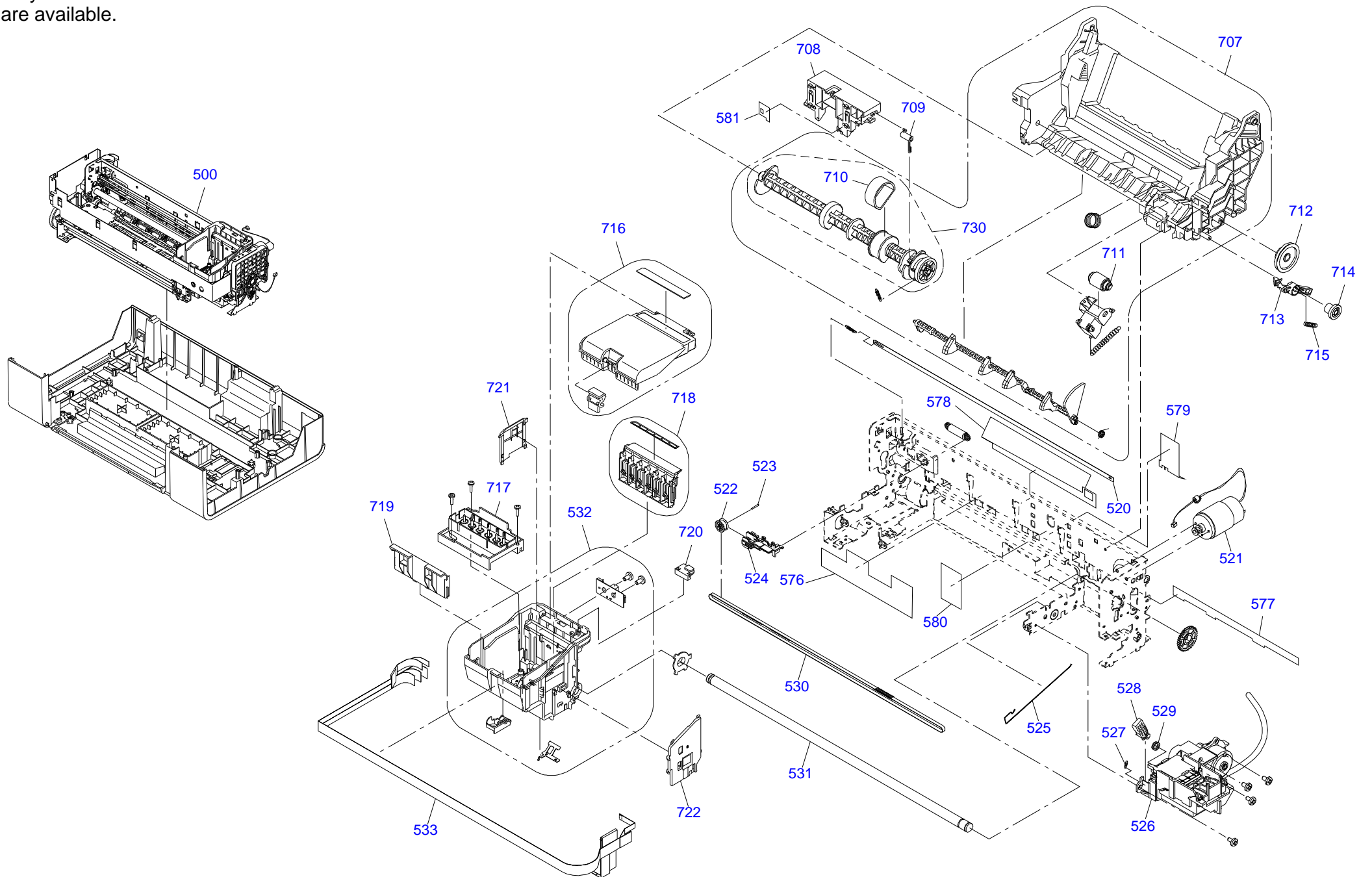
Only numbered Service Parts
are available.



Only numbered Service Parts
are available.



Only numbered Service Parts
are available.



Part Code	Part Name	Ref No.	Category	Qty	Remark
1473134	TRAY CDR ASSY;C691;ASP;EPPI	1	Accessories	1	
2107706	POWER CABLE	400	Accessories	1	
1443530	INK CART.UNBOXED,BK-SS,DYE;H62F,EC,AS	NON FIG	Accessories	1	
1443531	INK CART.UNBOXED,C-SS,DYE;H62F,EC,AS	NON FIG	Accessories	1	
1443532	INK CART.UNBOXED,M-SS,DYE;H62F,EC,AS	NON FIG	Accessories	1	
1443533	INK CART.UNBOXED,Y-SS,DYE;H62F,EC,AS	NON FIG	Accessories	1	
1443534	INK CART.UNBOXED,LC-SS,DYE;H62F,EC,AS	NON FIG	Accessories	1	
1443535	INK CART.UNBOXED,LM-SS,DYE;H62F,EC,AS	NON FIG	Accessories	1	
3103150	SOFTWARE CD,E/R/UK/AR	NON FIG	Accessories	1	
4110295	SETTING UP MANUAL	NON FIG	Accessories	1	
4113493	SETTING UP MANUAL	NON FIG	Accessories	1	
1478425	HOUSING LOWER ASSY.ASP;C691;EPPI	100	Case	1	
1108107	FOOT	103	Case	7	
1463694	GUIDE,STACKER,LEFT	106	Case	1	
1463725	GUIDE,STACKER,RIGHT	107	Case	1	
1465134	STACKER SUPPORT ASSY;C691;EPPI	111	Case	1	
1464415	COVER,PRINTER;B	112	Case	1	
1465135	PAPER SUPPORT ASSY;C691;EPPI	113	Case	1	
1469266	COVER,CASE	114	Case	1	
1463527	HOUSING,UPPER	115	Case	1	
2116505	HARNESS	126	Case	1	
2121250	HARNESS,DETECTOR,CASE,OPEN;B	127	Case	1	
1463534	HOLDER,OPEN,SENSOR	128	Case	1	
1463537	BUTTON,INK	129	Case	1	
1463533	COVER,INK,TUBE	130	Case	1	
1463538	BUTTON,PAPER	131	Case	1	
1463539	LENS	132	Case	1	
1465608	COVER STACKER ASSY;C691;EPPI	133	Case	1	
1463536	BUTTON,PS	134	Case	1	
1469938	HOUSING,FRONT;C	135	Case	1	
1463535	HOUSING,PANEL	136	Case	1	
1473898	LABEL,INSTRUCTION	137	Case	1	
1448951	LABEL,ACCESSORY	138	Case	1	
1474303	LABEL,CDR	139	Case	1	
2122238	BOARD ASSY.,MAIN	200	Electronic Parts	1	
2116495	BOARD ASSY.,PANEL	201	Electronic Parts	1	
1465151	POWER SUPPLY ASSY;C691;PSE;EPPI	300	Electronic Parts	1	
2121111	PRINTER MECHANISM;ASP	500	Mechanism Parts	1	
1473044	PAPER GUIDE FRONT ASSY;C691;ASP;EPPI	501	Mechanism Parts	1	
1463787	POROUS PAD,PAPER GUIDE,FRONT	503	Mechanism Parts	1	
1473045	FRAME EJ ASSY;C691;ASP;EPPI	504	Mechanism Parts	1	
1410323	TORSION SPRING,FRAME,EJ,LEFT	505	Mechanism Parts	1	
1410043	TORSION SPRING,FRAME,EJ	506	Mechanism Parts	1	
1410051	LEVER,PE	507	Mechanism Parts	1	
1447953	TORSION SPRING,LEVER,PE	508	Mechanism Parts	1	
2116694	MOTOR ASSY.,PF	509	Mechanism Parts	1	
1465137	PAPER GUIDE UPPER ASSY;C691;EPPI	511	Mechanism Parts	1	
1481233	HOLDER,APG	512	Mechanism Parts	1	

1465029	SPUR GEAR,28.8	513	Mechanism Parts	1
1416886	COMPRESSION SPRING,2.25	514	Mechanism Parts	1
1409938	SPUR GEAR,12.8	515	Mechanism Parts	1
1468745	SPUR GEAR,33.6;B	516	Mechanism Parts	1
1409943	COMPRESSION SPRING,0.97	517	Mechanism Parts	1
1409945	COMBINATION GEAR,12.8,27	518	Mechanism Parts	1
1409946	COMBINATION GEAR,14,22	519	Mechanism Parts	1
1409999	SCALE,CR	520	Mechanism Parts	1
2116693	MOTOR ASSY.,CR	521	Mechanism Parts	1
1467981	PULLEY,DRIVEN;B	522	Mechanism Parts	1
1262438	SHAFT,PULLEY,DRIVEN	523	Mechanism Parts	1
1292714	HOLDER,PULLEY,DRIVEN	524	Mechanism Parts	1
1444296	GROUNDING WIRE,PFEJ	525	Mechanism Parts	1
1473046	INK SYSTEM ASSY;C691;ASP;EPPI	526	Mechanism Parts	1
1409580	EXTENSION SPRING,0.8	527	Mechanism Parts	1
1481010	LOCK,CR	528	Mechanism Parts	1
1474961	COMPRESSION SPRING,0.98	529	Mechanism Parts	1
1292709	TIMING BELT,CR	530	Mechanism Parts	1
1409935	SHAFT,GUIDE,CR	531	Mechanism Parts	1
1473047	CARRIAGE ASSY;C691;ASP;EPPI	532	Mechanism Parts	1
1466288	CABLE HEAD ASSY;C691;EPPI	533	Mechanism Parts	1
2121202	HARNESS,DETECTOR,GUIDE,CDR;B	534	Mechanism Parts	1
2020393	DETECTOR,LEAF,B2	536	Mechanism Parts	1
2090717	LEAF SENSOR	537	Mechanism Parts	2
1424204	SHEET,MIST	576	Mechanism Parts	1
1424205	SHEET,MIST;B	577	Mechanism Parts	1
1426444	SHEET,MIST,FRAME MAIN	578	Mechanism Parts	1
1426445	SHEET,MIST,PAPER GUIDE,UPPER	579	Mechanism Parts	1
1483950	SHEET,MIST,LD	580	Mechanism Parts	1
1483951	SHEET,MIST,LD;B	581	Mechanism Parts	1
2090532	PHOTO INTERRUPTER,TLP1243(C8)	600	Mechanism Parts	2
1469197	TRAY,POROUS PAD,ASSY.;B	700	Mechanism Parts	1
1262694	SCALE,PF	701	Mechanism Parts	1
1212722	DOUBLE SIDED TAPE,D21	702	Mechanism Parts	1
2116697	CABLE,ENCODER,PF	703	Mechanism Parts	1
2116736	BOARD ASSY.,ENCODER,PF	704	Mechanism Parts	1
1438752	SPUR GEAR,26.5	705	Mechanism Parts	1
1465131	ASF ASSY;C691;EPPI	707	Mechanism Parts	1
1473588	GUIDE,ROLLER,LD	708	Mechanism Parts	1
1295162	TORSION SPRING,137.7	709	Mechanism Parts	1
1075955	ROLLER,LD;B	710	Mechanism Parts	1
1447353	HOLDER ROLLER RETARD ASSY.,M,C653;EPPI	711	Mechanism Parts	1
1409638	COMBINATION GEAR,16.8,32.8	712	Mechanism Parts	1
1474785	LEVER,CHANGE;B	713	Mechanism Parts	1
1467962	SPUR,GEAR,16;B	714	Mechanism Parts	1
1250632	COMPRESSION SPRING,2.36	715	Mechanism Parts	1
1465612	COVER CARTRIDGE ASSY;C691;EPPI	716	Mechanism Parts	1
F180000	PRINT HEAD	717	Mechanism Parts	1
1465147	CSIC ASSY;C691;EPPI	718	Mechanism Parts	1
1431479	COLOR,BLOCK	719	Mechanism Parts	1

1431478	HINGE,COVER,CARTRIDGE	720	Mechanism Parts	1
1431483	COVER,CABLE,HEAD,INNER	721	Mechanism Parts	1
1431482	COVER,CABLE,HEAD	722	Mechanism Parts	1
1410023	POROUS PAD,HOUSING,LOWER	725	Mechanism Parts	2
1474317	POROUS PAD,INK EJ,CAP,LOWER	726	Mechanism Parts	1
1466932	SHAFT ROLLER,LD ASSY;C691;EPPI	730	Mechanism Parts	1

Part Code	Part Name	Ref No.	Category	Qty	Remark
-----------	-----------	---------	----------	-----	--------